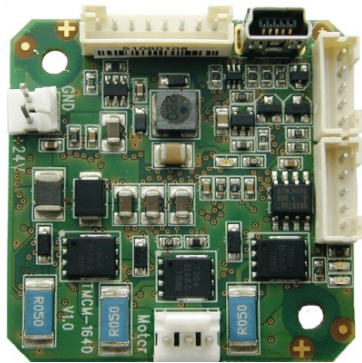


Hardware Version 1.0

HARDWARE MANUAL

+



+

+

TMCM-1640

1-axis BLDC
controller / driver
5A / 24V DC
RS485 + USB interface
hall sensor interface
encoder interface

+

TRINAMIC Motion Control GmbH & Co. KG
Hamburg, Germany

www.trinamic.com



TRINAMIC

MOTION CONTROL

Now part of Maxim Integrated

Table of Contents

1	Life support policy.....	3
2	Features.....	4
3	Order codes.....	5
4	Mechanical and electrical interfacing.....	6
4.1	Controller/driver board size and mounting holes.....	6
4.2	Connectors.....	7
4.2.1	Power connector.....	8
4.2.2	Motor connector.....	8
4.2.3	Hall sensor connector.....	9
4.2.4	Encoder connector.....	9
4.2.5	USB connector.....	9
4.2.6	GPIOs and RS485 connector.....	10
4.3	Input/output circuits.....	11
4.3.1	Hall sensor input.....	11
4.3.2	Encoder input.....	11
4.3.3	General purpose inputs/outputs.....	12
5	On-Board LEDs.....	13
6	Operational ratings.....	14
7	Functional description.....	15
7.1	System architecture.....	15
7.2	Microcontroller.....	15
7.2.1	TMC603A 3-phase pre-driver.....	15
8	Revision history.....	16
8.1	Document revision.....	16
8.2	Hardware revision.....	16
9	References.....	16

1 Life support policy

TRINAMIC Motion Control GmbH & Co. KG does not authorize or warrant any of its products for use in life support systems, without the specific written consent of TRINAMIC Motion Control GmbH & Co. KG.

Life support systems are equipment intended to support or sustain life, and whose failure to perform, when properly used in accordance with instructions provided, can be reasonably expected to result in personal injury or death.

© TRINAMIC Motion Control GmbH & Co. KG 2011-2020

Information given in this data sheet is believed to be accurate and reliable. However neither responsibility is assumed for the consequences of its use nor for any infringement of patents or other rights of third parties, which may result from its use.

Specifications are subject to change without notice.



2 Features

The TMCM-1640 is a highly compact controller/driver module for brushless DC (BLDC) motors with up to 5A coil current, optional encoder and/or hall sensor feedback. For communication the module offers RS485 and (mini-)USB interfaces.

Applications

- Compact single-axis brushless DC motor solutions

Electrical data

- Supply voltage: +24VDC nom. (+12V... +28.5V DC)
- Motor current: up to 5A RMS (programmable)

Integrated motion controller

- High performance ARM Cortex™-M3 microcontroller for system control and communication protocol handling

Integrated driver

- High performance integrated pre-driver (TMC603)
- High-efficient operation, low power dissipation (MOSFETs with low $R_{DS(ON)}$)
- Dynamic current control
- Integrated protection

Interfaces

- USB: mini-USB connector, full speed (12Mbit/s) serial communication interface
- RS485 serial communication interface
- Hall sensor interface (+5V TTL or open-collector signals)
- Encoder interface (+5V TTL or open-collector signals)
- 3 general purpose inputs: 2x digital (+5V / +24V compatible), 1x analogue (0... 10V)
- 1 general purpose output (open-drain)

Software

- Available with TMCL™
- stand-alone operation or remote controlled operation
- program memory (non volatile) for up to 2048 TMCL™ commands
- PC-based application development software TMCL-IDE
- PC-based application development software TMCL-BLDC for initial settings

Please refer to separate TMCM-1640 TMCL™ Firmware Manual for further information

3 Order codes

Cables are not included. Add the TMCM-1640-CABLE to your order if required.

Order code	Description	Dimensions [mm]
TMCM-1640	1-axis BLDC controller/driver module with up to 5A / 28.5V. RS485 and USB 2.0 interface	42 x 42 x 15
Component parts		
TMCM-1640-CABLE	Cable-loom for TMCM-1640	
Related motors		
QBL4208-41-04-006	QMot BLDC motor 42 mm, 4000RPM, 0.06Nm	42 x 42 x 41
QBL4208-61-04-013	QMot BLDC motor 42 mm, 4000RPM, 0.13Nm	42 x 42 x 61

Table 3.1: Order codes

4 Mechanical and electrical interfacing

4.1 Controller/driver board size and mounting holes

The dimensions of the controller/driver board (TMC-164) are approx. 42mm x 42mm in order to fit on the back side of a 42mm NEMA 17 brushless DC motor. Maximum component height (height above PCB level) without mating connectors is around 10mm and about 3mm below PCB level. There are two mounting holes for M3 screws for mounting the board directly to a NEMA 17/42mm flange size brushless DC motor.

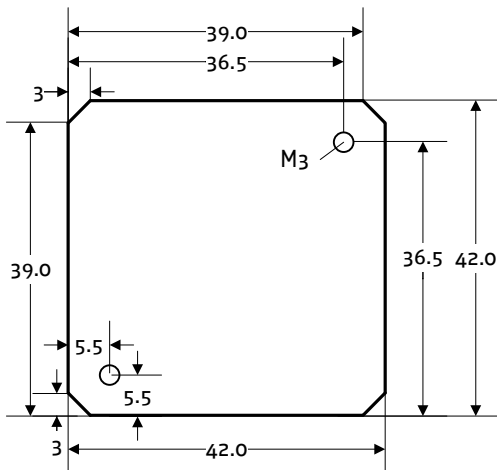


Figure 4.1: Module dimension and position of mounting holes

4.2 Connectors

The controller/driver board offers 6 connectors including the motor connector which is used for attaching the motor coils to the electronics. In addition to the power connector there is one connector for (optional) motor hall sensor signals and one connector for (optional) incremental encoder signals. For serial communication a mini-USB connector has been integrated on-board. There is an additional connector for RS485 serial communication, 3 general purpose inputs and one output. General purpose inputs and output may have dedicated functionality depending on firmware.

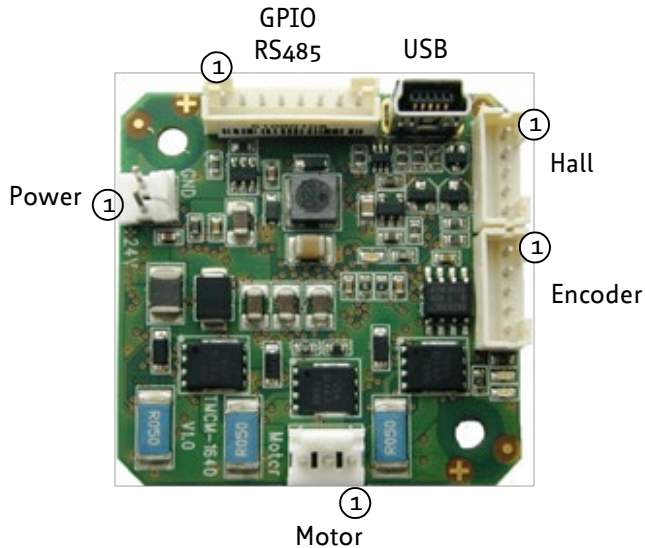


Figure 4.2: Overview connectors

Domain	Connector type	Mating connector type
Power	Tyco electronics (formerly AMP) MTA-100 series (3-640456-2), 2 pol., male	MTA 100 series (3-640440-2), 2 pol., female
Motor	Tyco electronics (formerly AMP) MTA-100 series (3-640456-3), 3 pol., male	MTA 100 series (3-640440-3), 3 pol., female
USB	5-pin standard mini-USB connector, female	5-pin standard mini-USB connector, male
Hall	2mm pitch 5 pin JST B5B-PH-K connector	Housing: JST PHR-5 Crimp contacts: BPH-002T-P0.5S (0.5-0.22mm)
Encoder	2mm pitch 5 pin JST B5B-PH-K connector	Housing: JST PHR-5 Crimp contacts: BPH-002T-P0.5S (0.5-0.22mm)
I/O, RS485	2mm pitch 8 pin JST B8B-PH-K connector	Housing: JST PHR-8 Crimp contacts: BPH-002T-P0.5S (0.5-0.22mm)

4.2.1 Power connector

A 2-pin Tyco electronics (formerly AMP) MTA-100 series connector (3-640456-2) is used as power connector on-board.

Mating connector: Tyco electronics (formerly AMP) MTA-100 series (3-640440-2)

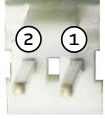
	Pin	Label	Description
	1	+U	Module + driver stage power supply input
	2	GND	Module ground (power supply and signal ground)

Table 4.1: Connector for power supply

Please note, that there is no protection against reverse polarity and only limited protection against voltages above the upper maximum limit. The power supply typically should be within a range of +9 to +28.5V.

When using supply voltages near the upper limit, a regulated power supply is mandatory. Please ensure that enough power filtering capacitors are available in the system (2200µF or more recommended) in order to absorb mechanical energy fed back by the motor in stalling conditions and in order to prevent any voltage surge e.g. during power-on (especially with longer power supply cables as there are only ceramic filter capacitors on-board). In larger systems a zener diode circuitry might be required in order to limit the maximum voltage when the motor is operated at high velocities.

The power supply should be designed in a way that it supplies the nominal motor voltage at the desired maximum motor power. **In no case shall the supply value exceed the upper voltage limit.**

To ensure reliable operation of the unit, the power supply has to have a sufficient output capacitor and the supply cables should have a low resistance, so that the chopper operation does not lead to an increased power supply ripple directly at the unit. Power supply ripple due to the chopper operation should be kept at a maximum of a few 100mV.

Guidelines for power supply:

- a) keep power supply cables as short as possible
- b) use large diameters for power supply cables
- c) add 2200µF or larger filter capacitors near the motor driver unit especially if the distance to the power supply is large (i.e. more than 2-3m)

4.2.2 Motor connector

A 3-pin Tyco electronics (formerly AMP) MTA-100 series connector (3-640456-3) is used as motor connector on-board.

Mating connector: Tyco electronics (formerly AMP) MTA-100 series (3-640440-3)

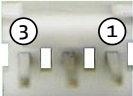
	Pin	Label	Description
	1	BM1	Motor coil phase 1 / U
	2	BM2	Motor coil phase 2 / V
	3	BM3	Motor coil phase 3 / W

Table 4.2: Connector for brushless DC motor

4.2.3 Hall sensor connector

A 2mm pitch 5 pin JST B5B-PH-K connector is used for hall sensor signals.

Mating connector housing: PHR-5

Mating connector contacts: SPH-002T-Po.5S.

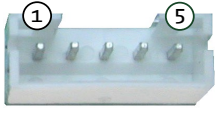
	Pin	Label	Description
	1	GND	Hall sensor supply and signal ground
2	+5V	+5V output for hall sensor supply	
3	HALL_1	Hall sensor signal 1	
4	HALL_2	Hall sensor signal 2	
5	HALL_3	Hall sensor signal 3	

Table 4.3: Connector for hall sensor signals

4.2.4 Encoder connector

A 2mm pitch 5 pin JST B5B-PH-K connector is used for encoder signals.

Mating connector housing: PHR-5

Mating connector contacts: SPH-002T-Po.5S.

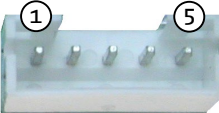
	Pin	Label	Description
	1	GND	Hall sensor supply and signal ground
2	+5V	+5V output for encoder supply (max. 100mA)	
3	A	Encoder channel a	
4	B	Encoder channel b	
5	N	Encoder index / null channel	

Table 4.4: Connector for encoder signals

4.2.5 USB connector

A 5-pin standard mini-USB connector is available on board for serial communication.


	Pin	Label	Description
	1	VBUS	+5V power
2	D-	Data -	
3	D+	Data +	
4	ID	Not connected	
5	GND	ground	

Table 4.5: Mini USB connector

4.2.6 GPIOs and RS485 connector

A 2mm pitch 8 pin JST B8B-PH-K connector is used for connecting general purpose inputs and outputs.

Mating connector housing: PHR-8

Mating connector contacts: SPH-002T-P0.5S


	Pin	Label	Description
	1	GND	Signal and system ground
	2	+5V	+5V output for supply of external circuit (max. 100mA)
	3	AIN	Analog input (0... 10V), may be used as velocity control input in standalone mode (depending on firmware)
	4	IN_o	Digital input, may be used as stop (STOP_R) / limit switch input (depending on firmware)
	5	IN_1	Digital input, may be used as stop (STOP_L) / limit switch input (depending on firmware)
	6	OUT	Digital output (open-drain, max. 100mA)
	7	RS485+	RS485 2-wire serial interface (non-inverted signal)
	8	RS485-	RS485 2-wire serial interface (inverted signal)

Table 4.6: General purpose input/output connector

4.3 Input/output circuits

4.3.1 Hall sensor input

The hall sensor input circuit supports +5V push-pull (TTL) and open-collector hall sensor signals. In order to support open-collector signals the input circuit offers 2k7 pull-up resistors to +5V (generated on-board from power supply voltage).

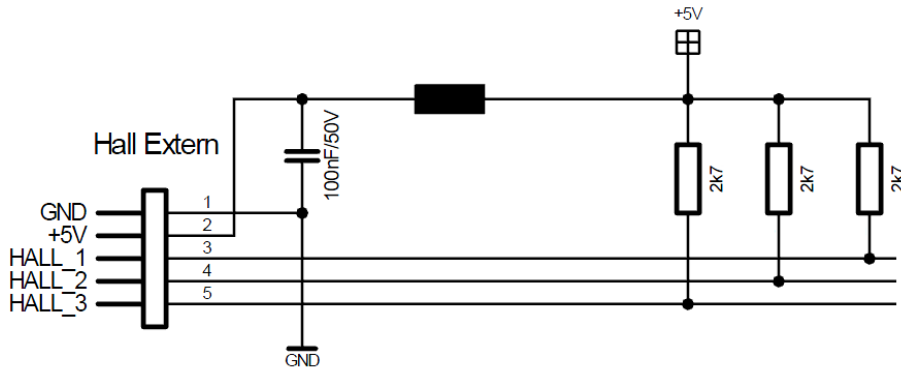


Figure 4.3: Hall sensor input circuit

4.3.2 Encoder input

The encoder input circuit supports +5V push-pull (TTL) and open-collector hall sensor signals. In order to support open-collector signals the input circuit offers 2k7 pull-up resistors to +5V (+5V generated on-board from power supply voltage).

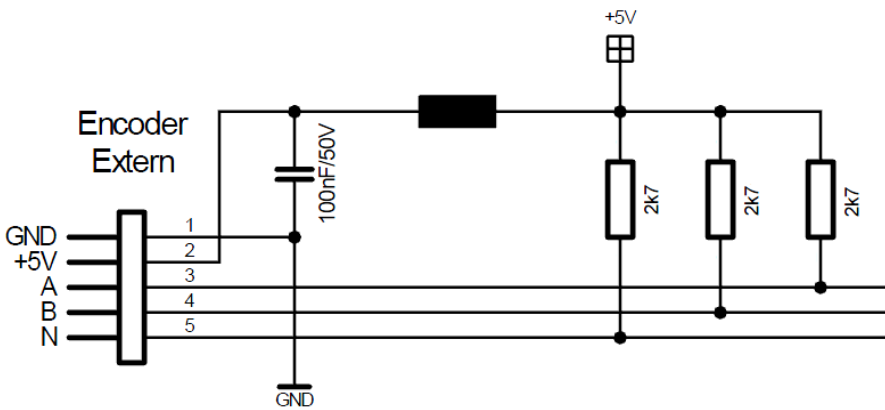


Figure 4.4: Encoder input circuit

4.3.3 General purpose inputs/outputs

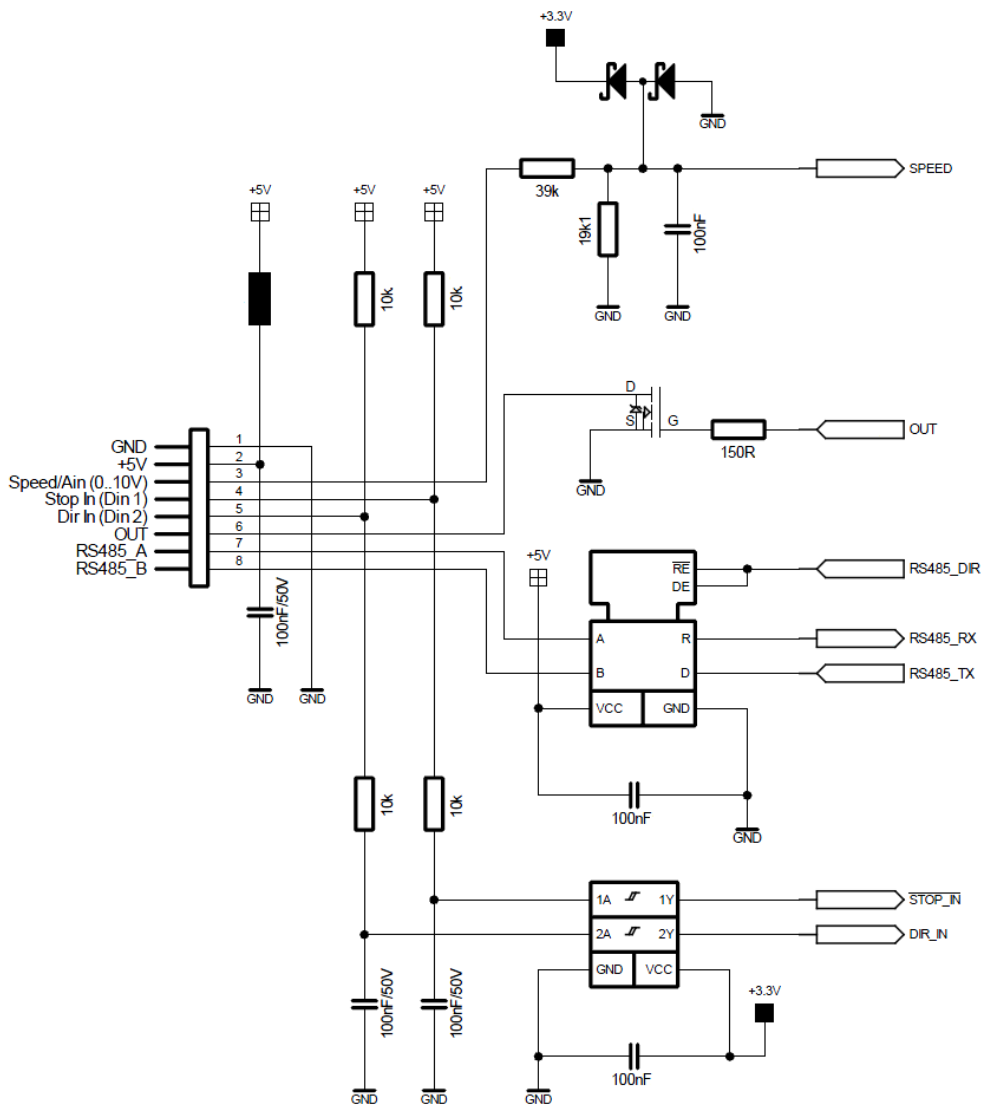


Figure 4.5: General purpose input/output circuit

5 On-Board LEDs

The board offers three LEDs in order to indicate board status. The green LED turns on in case +5V from the on-board DC/DC switching regulator is available. The function of the two red LEDs is dependent on the firmware version. With standard TMCL firmware one red LED indicates high temperature (Temperature Warning) and the other will turn on in case the motor current reaches the limit that has been previously set in software (Overcurrent).

BEHAVIOR OF LEDs WITH STANDARD TMCL FIRMWARE

Label	Description
+5V	green LED, indicates +5V available from the on-board DC/DC regulator
Temperature Warning	Red LED, flashes when on-board temperature rises above approx.. 100°C and remains permanently on when temperature exceeds approx.. 120°C
Overcurrent	Red LED, on when motor current reaches MaxCurrent setting in software

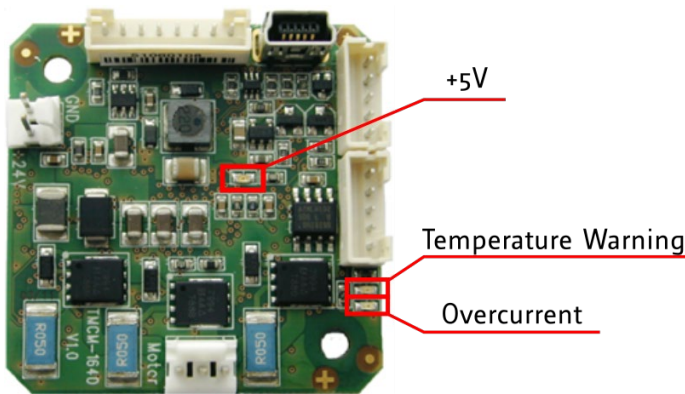


Figure 5.1 On-board LEDs

6 Operational ratings

The operational ratings shown below should be used as design values. In no case should the maximum values be exceeded during operation.

Symbol	Parameter	Min	Typ	Max	Unit
+U	Power supply voltage for operation	9	24	28.5	V DC
I _{COIL}	Continuous motor current (RMS)	0	3	5	A
I _{SUPPLY}	Power supply current		<< I _{COIL}	1.4 * I _{COIL}	A
T _{ENV}	Environment temperature at rated current (no forced cooling required)		tbd		°C

Table 6.1: General operational ratings of the module

Symbol	Parameter	Min	Type	Max	Unit
V _{HALL}	Signal voltage at hall sensor input 1/2/3 (either push-pull (TTL) or open-collector (internal 2k7 pull-up))	0		5	V
V _{ENCODER}	Signal voltage at encoder input a/b/n (either push-pull (TTL) or open-collector (internal 2k7 pull-up))	0		5	V
V _{AIN}	Signal voltage at analog input AIN	0		10	V
V _{DIN_1/DIN_2}	Signal voltage at digital input DIN_1, DIN_2	0		24	V
V _{DIN_1/DIN_2_L}	Signal voltage at digital input DIN_1, DIN_2, low level	0		0.8	V
V _{DIN_1/DIN_2_H}	Signal voltage at digital input DIN_1, DIN_2, high level	2		24	V

Table 6.2: Operational ratings of hall sensor, encoder, and general purpose inputs and outputs

7 Functional description

In Figure 7.1 the main parts of the TCM-1640 module are shown. The module mainly consists of the Cortex™-M3 CPU, TRINAMICs TMC603A 3-phase pre-driver, the MOSFET driver-stage, and the USB 2.0 interface.

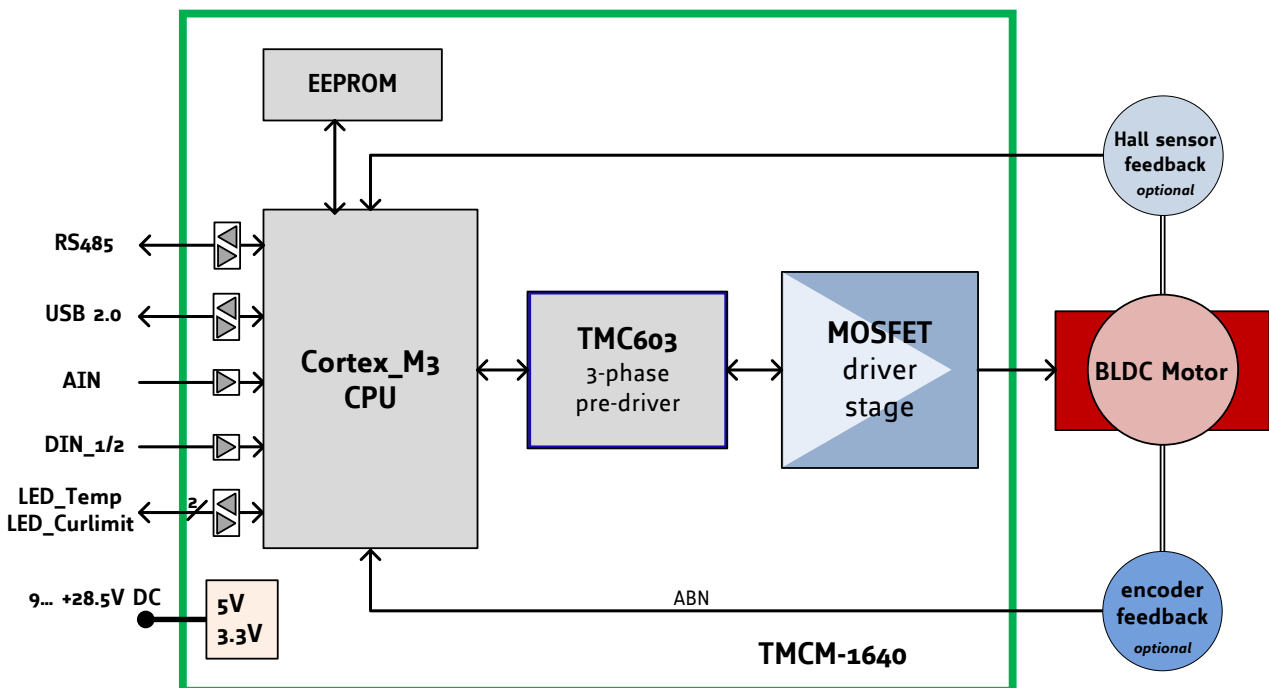


Figure 7.1: Main parts of the TCM-1640

7.1 System architecture

The TCM-1640 integrates a microcontroller with the TMCL™ (Trinamic Motion Control Language) operating system. The motion control real-time tasks are realized by the TMC603A.

7.2 Microcontroller

On this module, the ARM Cortex™-M3 CPU 32-bit processor is used to run the TMCL™ operating system and to control the TMC603A. The flash ROM of the microcontroller holds the TMCL™ operating system. The EEPROM memory is used to permanently store configuration data. The microcontroller runs the TMCL™ operating system which makes it possible to execute TMCL™ commands that are sent to the module from the host via the interface. The microcontroller interprets the TMCL™ commands and controls the TMC603A which executes the motion commands.

The TMCL™ operating system can be updated via the host interface. Please use the latest version of the TMCL-IDE to do this.

7.2.1 TMC603A 3-phase pre-driver

The TMC603A is a three phase motor driver for highly compact and energy efficient drive solutions. It contains all power and analog circuitry required for a high performance BLDC motor system. The TMC603A is designed to provide the frontend for a microcontroller doing motor commutation and control algorithms. It integrates shunt resistor based current measurement. Protection and diagnostic features as well as a step-down switching regulator further reduce system cost and increase reliability.

8 Revision history

8.1 Document revision

Version	Date	Author	Description
		GE – Göran Eggers SD – Sonja Dwersteg	
0.90	2010-MAY-05	GE	Initial version
1.00	2011-FEB-14	SD	First complete version
1.01	2011-MAY-12	SD	Minor changes
1.02	2011-OCT-31	SD	Table for connectors and mating ones new, minor changes
1.03	2011-NOV-03	SD	Order codes new
1.04	2011-NOV-16	GE	Table overview mating connectors corrected
1.05	2018-MAR-12	GE	Note on sensorless operation (hallFx™) removed
1.06	2020-OCT-02	GE	Description LEDs added

Table 8.1: Document revision

8.2 Hardware revision

Version	Date	Description
TMCM-164_V10	2010-APR-09	First 8 prototype boards
TMCM-1640_V10	2010-DEC-10	First version pre-series

Table 8.2: Hardware revision

9 References

[TMCM-1640]	TMCM-1640 TMCL™ Firmware Manual
[TMCL-IDE and TMCL-BLDC]	TMCL-IDE User Manual
[TMC603A]	TMC603A Datasheet
[QBL4208]	QBL4208 Manual

Please refer to our homepage <http://www.trinamic.com>.