

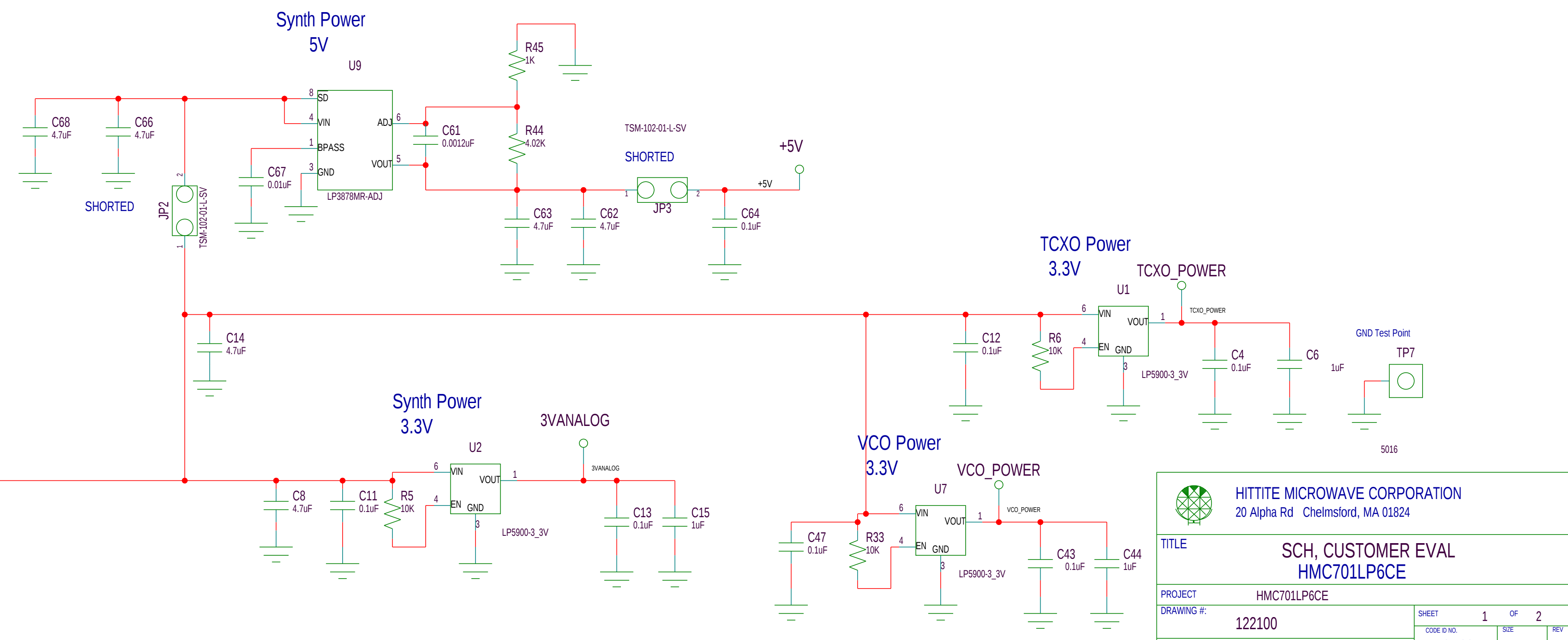
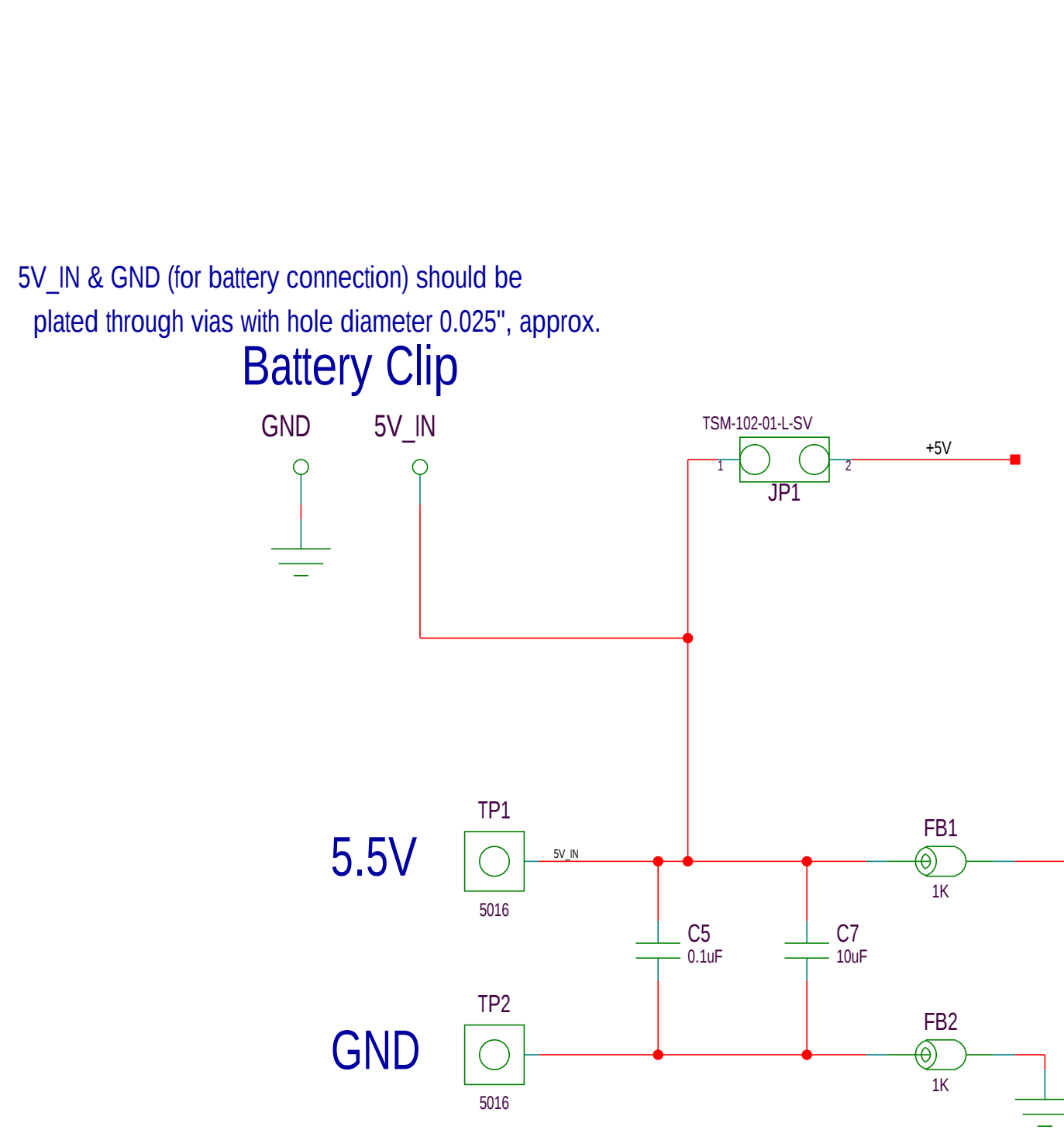
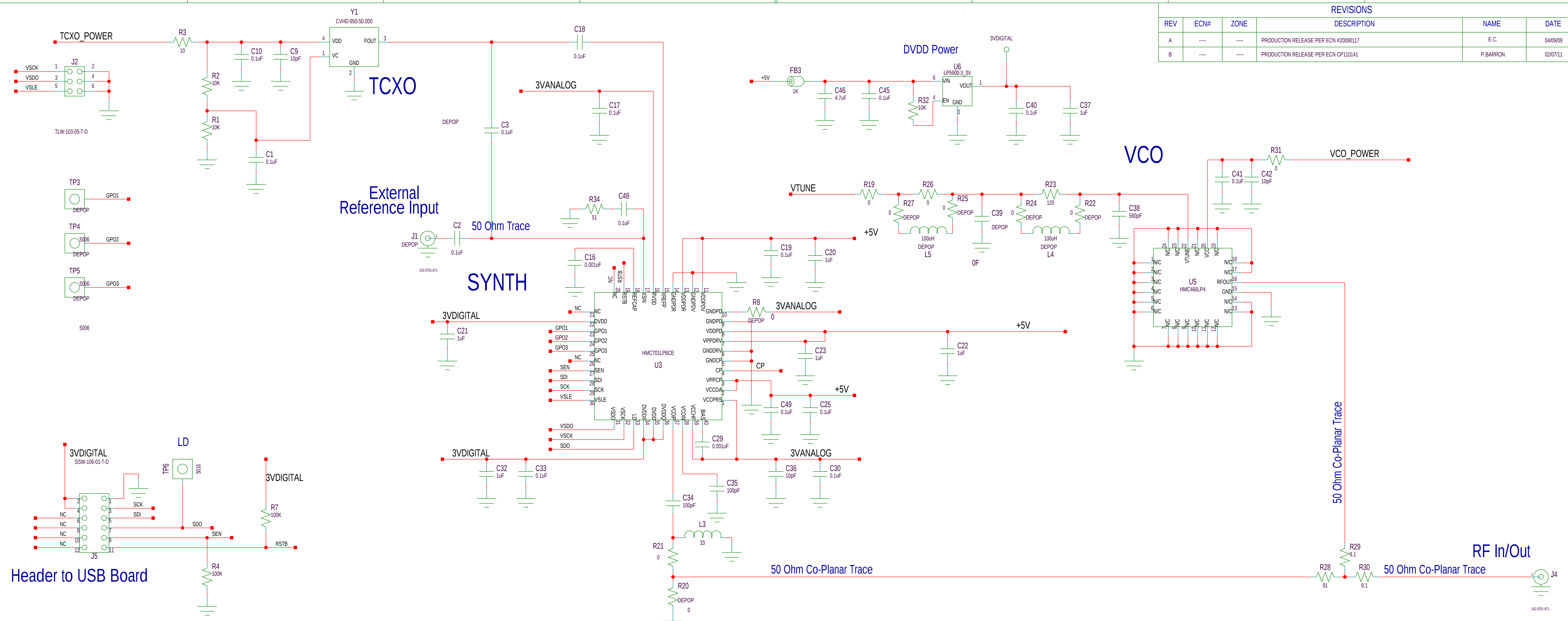
# Analog Devices Welcomes Hittite Microwave Corporation

NO CONTENT ON THE ATTACHED DOCUMENT HAS CHANGED



**THIS PAGE INTENTIONALLY LEFT BLANK**

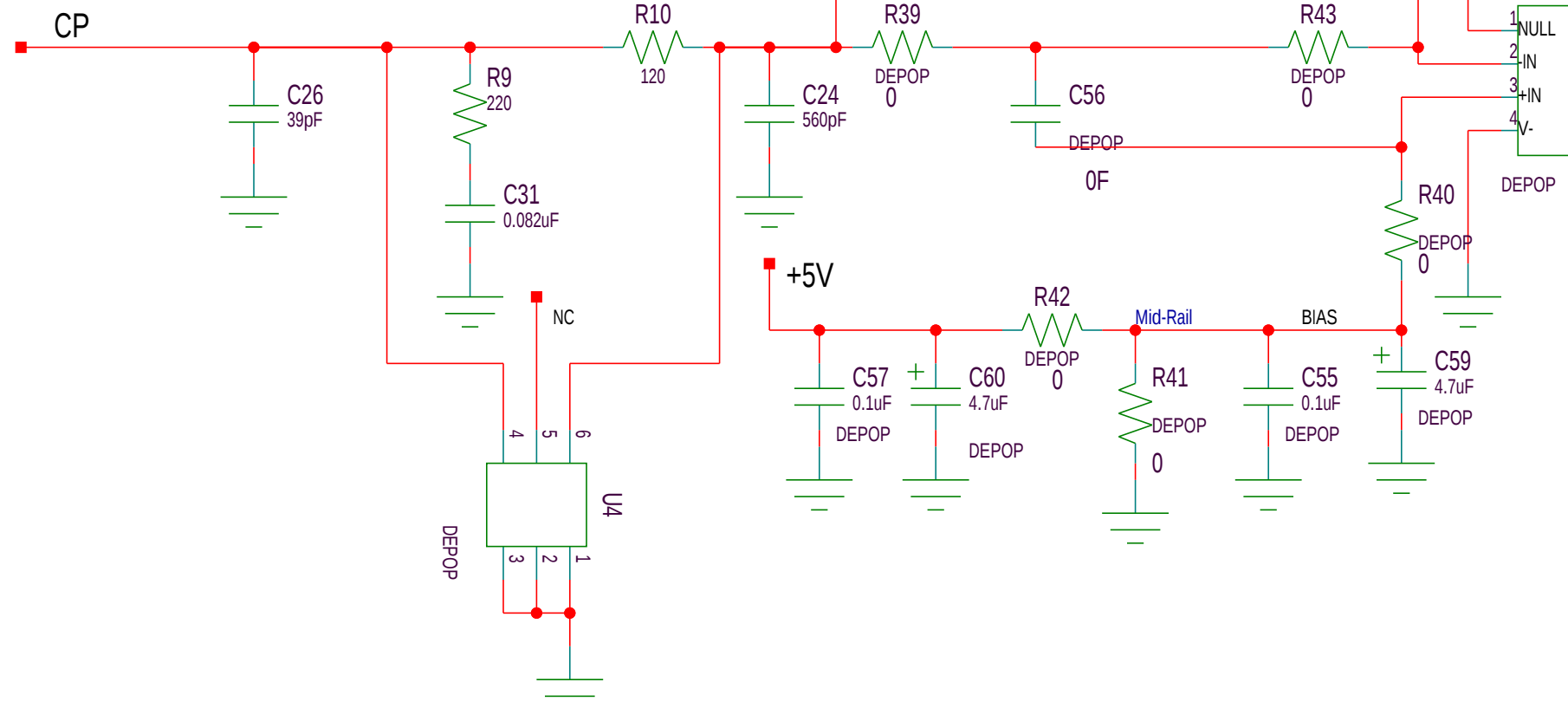
REVISIONS					
REV	ECN#	ZONE	DESCRIPTION	NAME	DATE
A	.....	.....	PRODUCTION RELEASE PER ECN #20090117	E.C.	04/09/09
B	.....	.....	PRODUCTION RELEASE PER ECN CP110141	P.BARRON	02/07/11



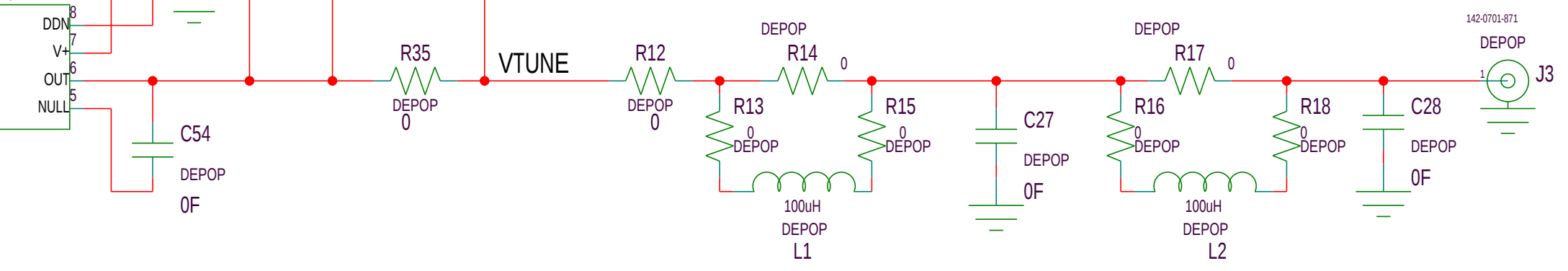
NOTICE OF PROPRIETARY PROPERTY: THIS DOCUMENT AND THE INFORMATION CONTAINED IN IT ARE THE PROPRIETARY PROPERTY OF HITITE MICROWAVE CORPORATION. IT MAY NOT BE COPIED OR USED IN ANY MANNER NOR ANY OF THE INFORMATION IN OR UPON IT BE USED FOR ANY PURPOSE WITHOUT THE EXPRESSED WRITTEN CONSENT OF AN AUTHORIZED AGENT OF HITITE MICROWAVE CORPORATION.

<b>HITITE MICROWAVE CORPORATION</b> 20 Alpha Rd Chelmsford, MA 01824	
<b>TITLE</b> SCH, CUSTOMER EVAL HMC701LP6CE	
<b>PROJECT</b> HMC701LP6CE	<b>SHEET</b> 1 OF 2
<b>DRAWING #:</b> 122100	<b>CODE ID NO.</b> 1CN88
<b>DRAWN BY:</b> P.BARRON	<b>DATE:</b> 08/05/23
<b>REV</b> B	

CP Input from Synthesizer

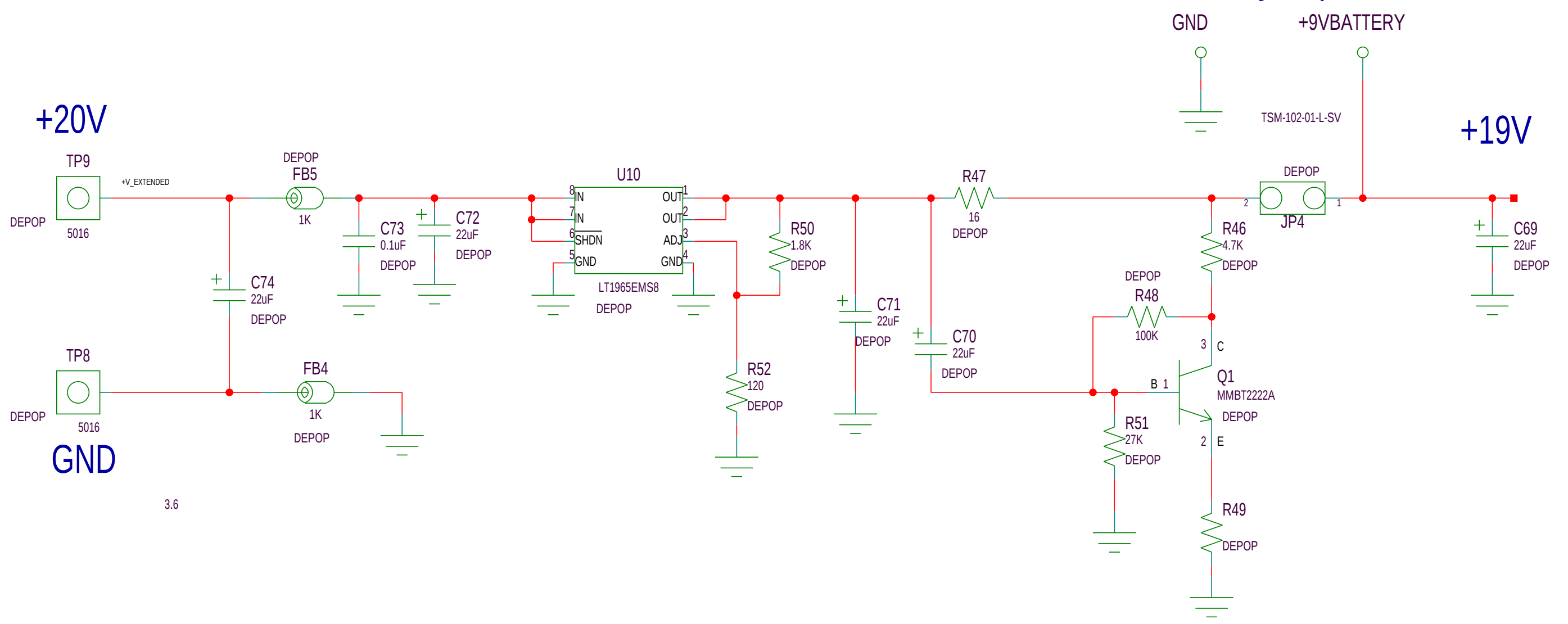


VTune to external VCO module



+9VBattery & GND (for battery connection) should be plated through vias with hole diameter 0.025", approx.

Battery Clip



		<b>HITTITE MICROWAVE CORPORATION</b> 20 Alpha Rd Chelmsford, MA 01824	
<b>TITLE</b>		SCH, CUSTOMER EVAL HMC701LP6CE	
<b>PROJECT</b>		HMC701LP6CE	
<b>DRAWING #:</b>	122100	<b>SHEET</b>	2 OF 2
<b>DRAWN BY</b>	P.BARRON	<b>DATE</b>	08/05/23
<b>CODE ID NO.</b>	1CN88	<b>SIZE</b>	C
<b>REV</b>	B	<b>REV</b>	B