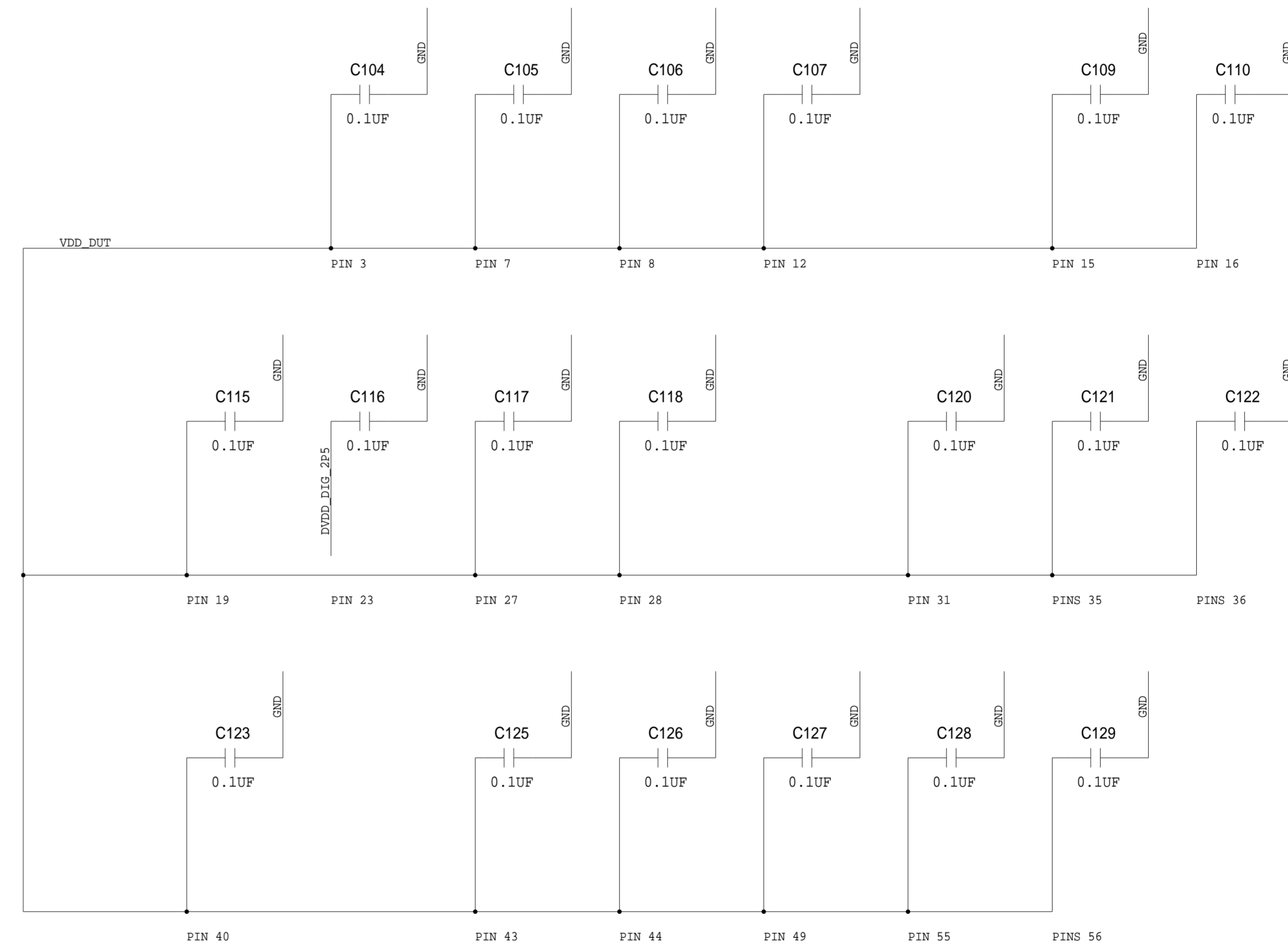
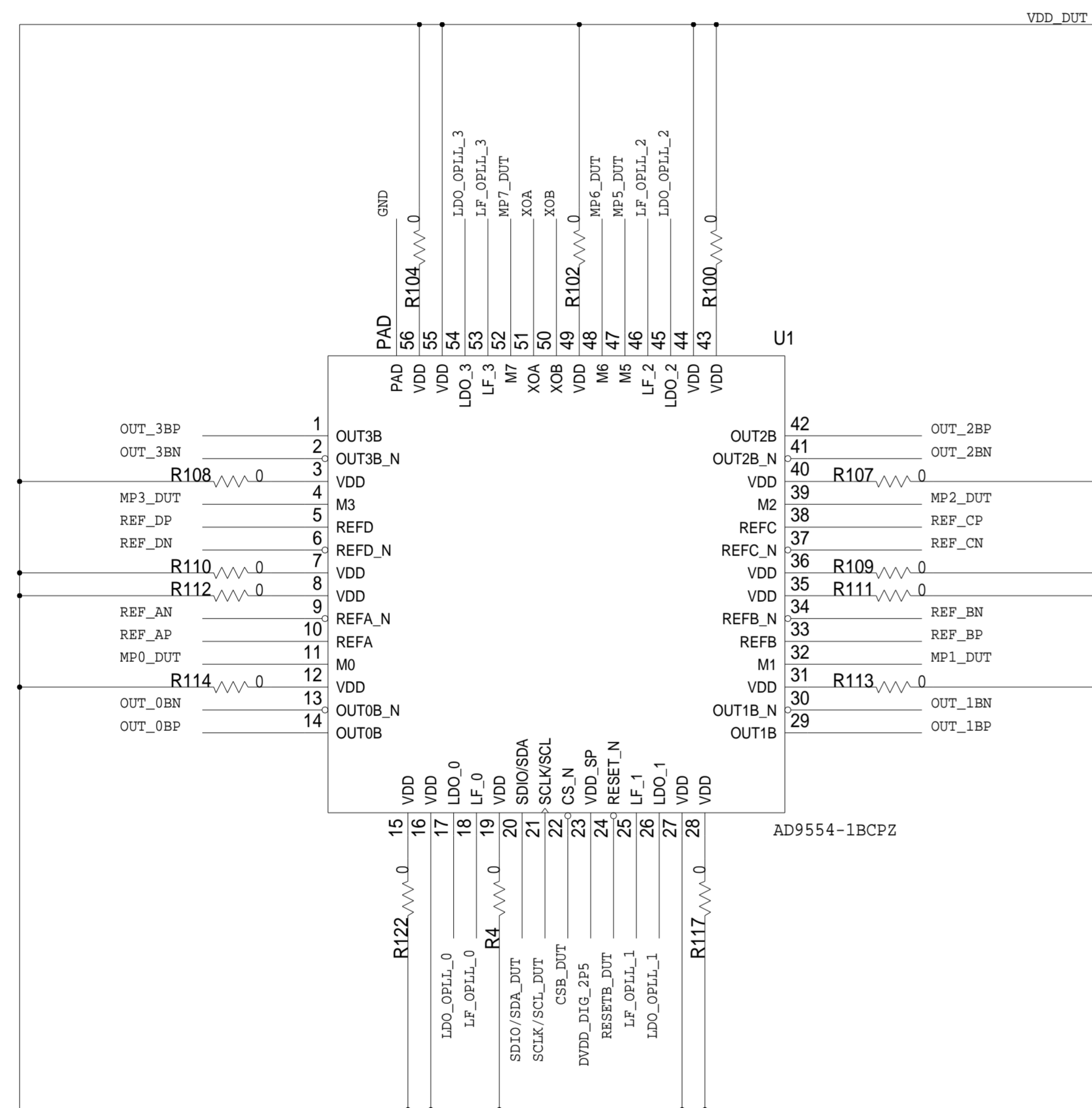


8	7	6	5	4	3	2	1																																																																																																																																																																															
THIS DRAWING IS THE PROPERTY OF ANALOG DEVICES INC. IT IS NOT TO BE REPRODUCED OR COPIED, IN WHOLE OR IN PART, OR USED IN FURNISHING INFORMATION TO OTHERS, OR FOR ANY OTHER PURPOSE DETRIMENTAL TO THE INTERESTS OF ANALOG DEVICES. THE EQUIPMENT SHOWN HEREON MAY BE PROTECTED BY PATENTS OWNED OR CONTROLLED BY ANALOG DEVICES.			<b>JUMPER TABLE</b> <table border="1" style="margin: auto; border-collapse: collapse; font-size: x-small;"> <thead> <tr> <th>JP#</th> <th>ON</th> <th>OFF</th> </tr> </thead> <tbody> <tr><td>1</td><td></td><td></td></tr> <tr><td>2</td><td></td><td></td></tr> <tr><td>3</td><td></td><td></td></tr> <tr><td>4</td><td></td><td></td></tr> <tr><td>5</td><td></td><td></td></tr> </tbody> </table> <p style="text-align: center; font-size: x-small;">* SEE ASSEMBLY INSTRUCTIONS</p>		JP#	ON	OFF	1			2			3			4			5			<b>REVISIONS</b> <table border="1" style="margin: auto; border-collapse: collapse; font-size: x-small;"> <thead> <tr> <th>REV</th> <th>DESCRIPTION</th> <th>DATE</th> <th>APPROVED</th> </tr> </thead> <tbody> <tr><td> </td><td> </td><td> </td><td> </td></tr> <tr><td> </td><td> </td><td> </td><td> </td></tr> <tr><td> </td><td> </td><td> </td><td> </td></tr> <tr><td> </td><td> </td><td> </td><td> </td></tr> <tr><td> </td><td> </td><td> </td><td> </td></tr> <tr><td> </td><td> </td><td> </td><td> </td></tr> <tr><td> </td><td> </td><td> </td><td> </td></tr> <tr><td> </td><td> </td><td> </td><td> </td></tr> <tr><td> </td><td> </td><td> </td><td> </td></tr> <tr><td> </td><td> </td><td> </td><td> </td></tr> <tr><td> </td><td> </td><td> </td><td> </td></tr> <tr><td> </td><td> </td><td> </td><td> </td></tr> </tbody> </table>			REV	DESCRIPTION	DATE	APPROVED																																																	<b>RELAY CONTROL CHART</b> <table border="1" style="width:100%; border-collapse: collapse; font-size: x-small;"> <thead> <tr> <th>CONTROL</th> <th>CODE</th> <th>DEVICE</th> <th>FUNCTION</th> <th>CONNECTOR</th> </tr> </thead> <tbody> <tr><td> </td><td> </td><td> </td><td> </td><td> </td></tr> <tr><td> </td><td> </td><td> </td><td> </td><td> </td></tr> <tr><td> </td><td> </td><td> </td><td> </td><td> </td></tr> <tr><td> </td><td> </td><td> </td><td> </td><td> </td></tr> <tr><td> </td><td> </td><td> </td><td> </td><td> </td></tr> <tr><td> </td><td> </td><td> </td><td> </td><td> </td></tr> <tr><td> </td><td> </td><td> </td><td> </td><td> </td></tr> <tr><td> </td><td> </td><td> </td><td> </td><td> </td></tr> <tr><td> </td><td> </td><td> </td><td> </td><td> </td></tr> <tr><td> </td><td> </td><td> </td><td> </td><td> </td></tr> <tr><td> </td><td> </td><td> </td><td> </td><td> </td></tr> <tr><td> </td><td> </td><td> </td><td> </td><td> </td></tr> <tr><td> </td><td> </td><td> </td><td> </td><td> </td></tr> <tr><td> </td><td> </td><td> </td><td> </td><td> </td></tr> <tr><td> </td><td> </td><td> </td><td> </td><td> </td></tr> <tr><td> </td><td> </td><td> </td><td> </td><td> </td></tr> <tr><td> </td><td> </td><td> </td><td> </td><td> </td></tr> <tr><td> </td><td> </td><td> </td><td> </td><td> </td></tr> <tr><td> </td><td> </td><td> </td><td> </td><td> </td></tr> </tbody> </table>					CONTROL	CODE	DEVICE	FUNCTION	CONNECTOR																																																																																															
JP#	ON	OFF																																																																																																																																																																																				
1																																																																																																																																																																																						
2																																																																																																																																																																																						
3																																																																																																																																																																																						
4																																																																																																																																																																																						
5																																																																																																																																																																																						
REV	DESCRIPTION	DATE	APPROVED																																																																																																																																																																																			
CONTROL	CODE	DEVICE	FUNCTION	CONNECTOR																																																																																																																																																																																		
<table border="1" style="width:100%; border-collapse: collapse;"> <thead> <tr> <th>P.O. SPEC.</th> <th>BK/BD SPEC.</th> <th>SOCKET OEM</th> <th>OEM PART#</th> <th>HANDLER</th> </tr> </thead> <tbody> <tr><td> </td><td> </td><td> </td><td> </td><td> </td></tr> <tr><td> </td><td> </td><td> </td><td> </td><td> </td></tr> <tr><td> </td><td> </td><td> </td><td> </td><td> </td></tr> <tr><td> </td><td> </td><td> </td><td> </td><td> </td></tr> <tr><td> </td><td> </td><td> </td><td> </td><td> </td></tr> <tr><td> </td><td> </td><td> </td><td> </td><td> </td></tr> <tr><td> </td><td> </td><td> </td><td> </td><td> </td></tr> <tr><td> </td><td> </td><td> </td><td> </td><td> </td></tr> <tr><td> </td><td> </td><td> </td><td> </td><td> </td></tr> </tbody> </table>					P.O. SPEC.	BK/BD SPEC.	SOCKET OEM	OEM PART#	HANDLER																																														<table border="1" style="width:100%; border-collapse: collapse;"> <tr> <td style="width:50%;">           TEMPLATE ENGINEER - HARDWARE SERVICES - HARDWARE SYSTEMS - TEST ENGINEER - COMPONENT ENGINEER - TEST PROCESS - HARDWARE RELEASE - DESIGNER - PTD ENGINEER &lt;PTD_ENGINEER&gt; CHECKER -         </td> <td style="width:50%;">           DATE                                MASTER PROJECT TEMPLATE TBD TESTER TEMPLATE no_template DRAWING NO. 02_037242 REV. A UNLESS OTHERWISE SPECIFIED DIMENSIONS ARE IN INCHES TOLERANCES DECIMALS X.XX +-0.010 FRACTIONS +-1/32 ANGLES +-2 X.XXX +-0.005 SIZE <b>D</b> SCALE 1:1 CODE ID NO. CodeID SHEET 1 OF 8         </td> </tr> </table>			TEMPLATE ENGINEER - HARDWARE SERVICES - HARDWARE SYSTEMS - TEST ENGINEER - COMPONENT ENGINEER - TEST PROCESS - HARDWARE RELEASE - DESIGNER - PTD ENGINEER <PTD_ENGINEER> CHECKER -	DATE                     MASTER PROJECT TEMPLATE TBD TESTER TEMPLATE no_template DRAWING NO. 02_037242 REV. A UNLESS OTHERWISE SPECIFIED DIMENSIONS ARE IN INCHES TOLERANCES DECIMALS X.XX +-0.010 FRACTIONS +-1/32 ANGLES +-2 X.XXX +-0.005 SIZE <b>D</b> SCALE 1:1 CODE ID NO. CodeID SHEET 1 OF 8	<b>SCHEMATIC</b>																																																																																																																										
P.O. SPEC.	BK/BD SPEC.	SOCKET OEM	OEM PART#	HANDLER																																																																																																																																																																																		
TEMPLATE ENGINEER - HARDWARE SERVICES - HARDWARE SYSTEMS - TEST ENGINEER - COMPONENT ENGINEER - TEST PROCESS - HARDWARE RELEASE - DESIGNER - PTD ENGINEER <PTD_ENGINEER> CHECKER -	DATE                     MASTER PROJECT TEMPLATE TBD TESTER TEMPLATE no_template DRAWING NO. 02_037242 REV. A UNLESS OTHERWISE SPECIFIED DIMENSIONS ARE IN INCHES TOLERANCES DECIMALS X.XX +-0.010 FRACTIONS +-1/32 ANGLES +-2 X.XXX +-0.005 SIZE <b>D</b> SCALE 1:1 CODE ID NO. CodeID SHEET 1 OF 8																																																																																																																																																																																					
<table border="1" style="width:100%; border-collapse: collapse; font-size: x-small;"> <tr> <td>HW TYPE : Customer Evaluation</td> <td>Product(s) : AD9554-1</td> </tr> <tr> <td>PACKAGE : PinCount-lead N/A Package-family</td> <td>: N/A</td> </tr> <tr> <td>: Pitch-pitch StyleVendor Style</td> <td></td> </tr> </table>					HW TYPE : Customer Evaluation	Product(s) : AD9554-1	PACKAGE : PinCount-lead N/A Package-family	: N/A	: Pitch-pitch StyleVendor Style		<User Define> <User Define> <User Define>			DRAWING NO. 02_037242 REV. A SHEET 1 OF 8																																																																																																																																																																								
HW TYPE : Customer Evaluation	Product(s) : AD9554-1																																																																																																																																																																																					
PACKAGE : PinCount-lead N/A Package-family	: N/A																																																																																																																																																																																					
: Pitch-pitch StyleVendor Style																																																																																																																																																																																						

REVISIONS			
REV	DESCRIPTION	DATE	APPROVED

# BYPASS CAPACITORS

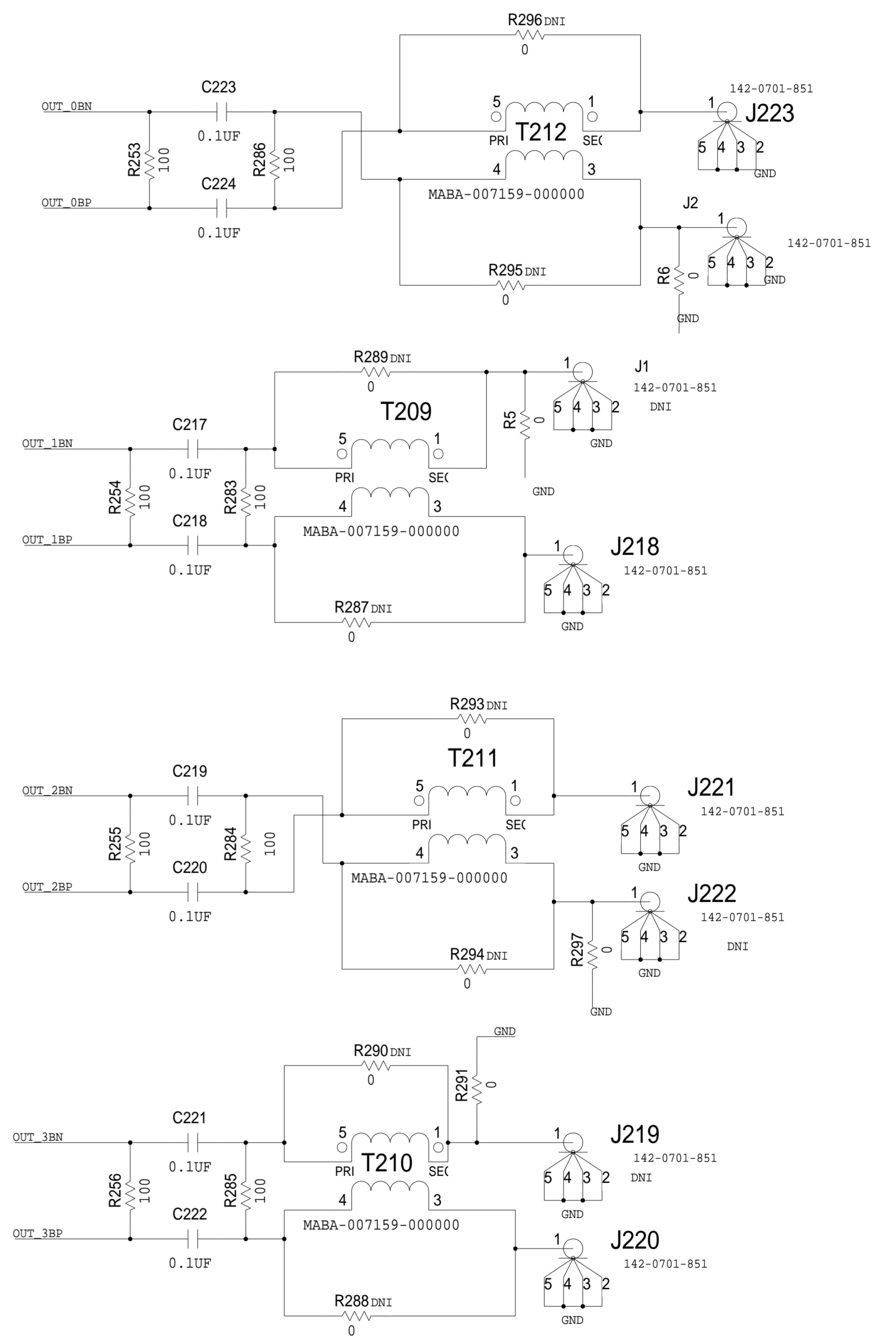
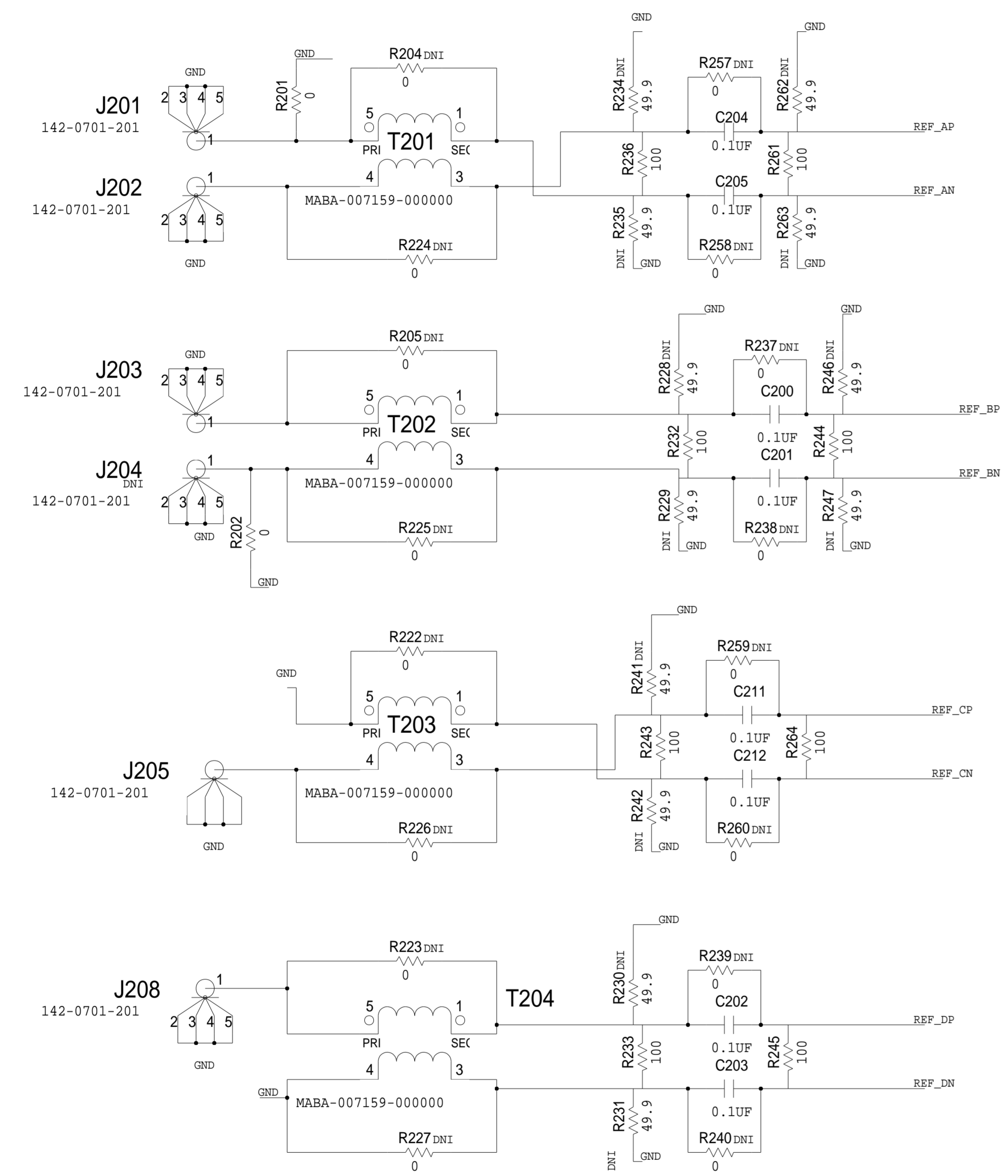


	<b>SCHEMATIC</b>		
	HW TYPE : Customer Evaluation Product(s) : Ad9554-1 : N/A		
	DESIGN VIEW <DESIGN_VIEW>	DRAWING NO. 02_037242	REV A
	PTD ENGINEER <PTD_ENGINEER>	SIZE D	SCALE 1:1
		SHEET 2 OF 8	

REVISIONS			
REV	DESCRIPTION	DATE	APPROVED

### REFERENCE INPUTS

### CLOCK OUTPUTS

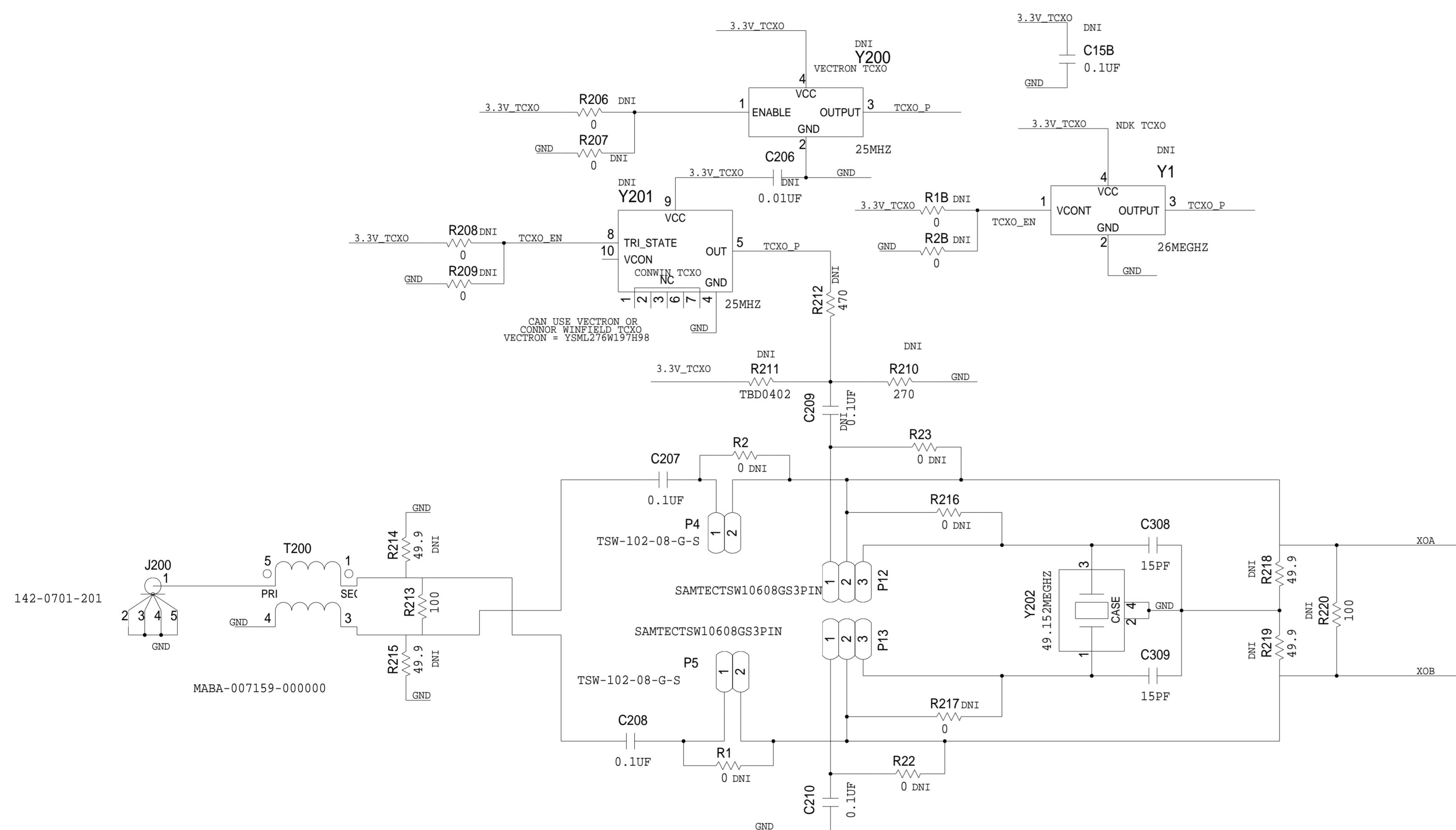


SCHEMATIC			
	HW TYPE : Customer Evaluation	DRAWING NO. 02_037242	REV A
	Product(s) : AD9554-1		
DESIGN VIEW <DESIGN_VIEW>		SCALE 1:1	SHEET 3 OF 8
PTD ENGINEER <PTD_ENGINEER>			

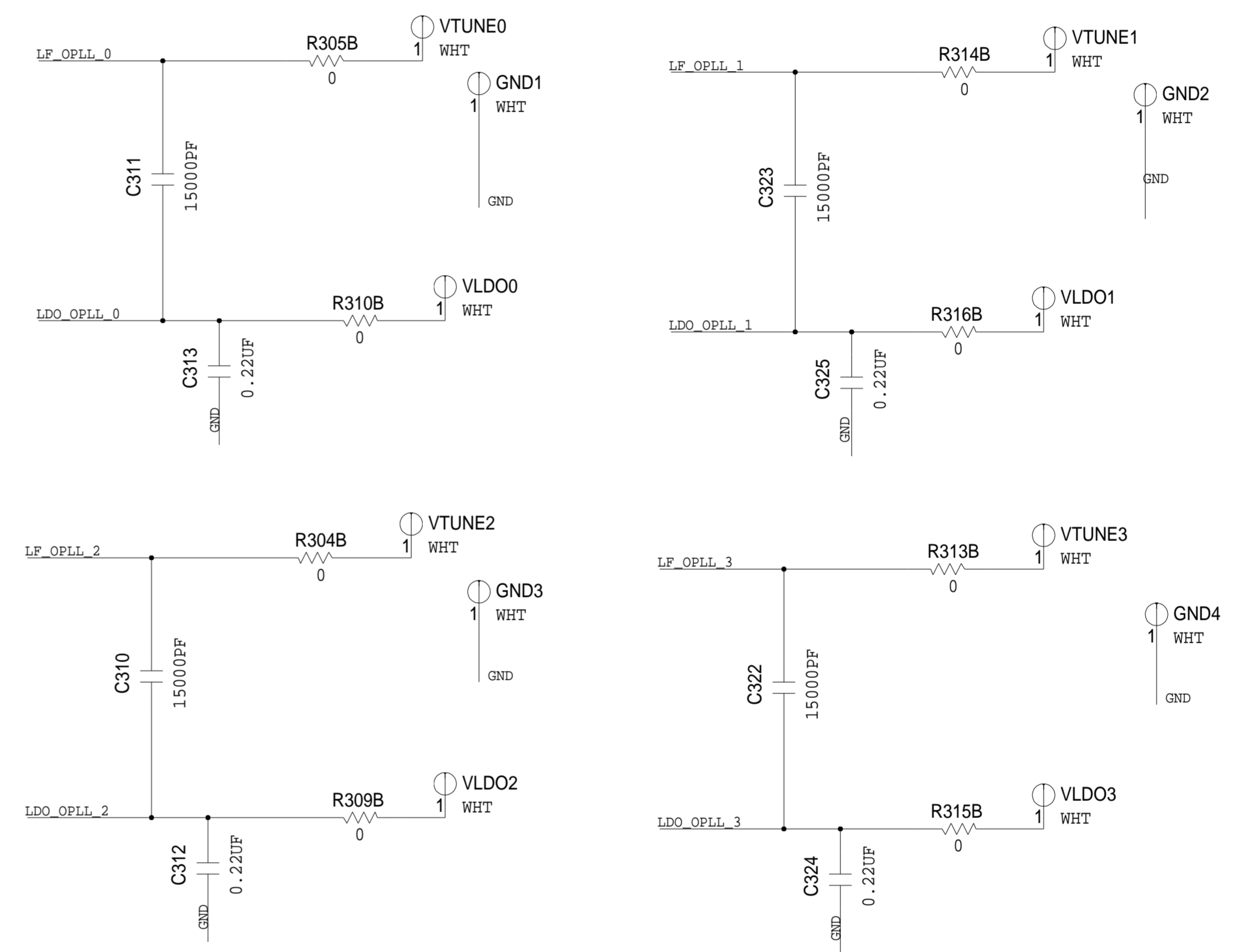
REVISIONS			
REV	DESCRIPTION	DATE	APPROVED

## SYSCLK INPUT

Y200 AND Y201 HAVE A COMMON FOOTPRINT



## LF & LDO CONNECTIONS

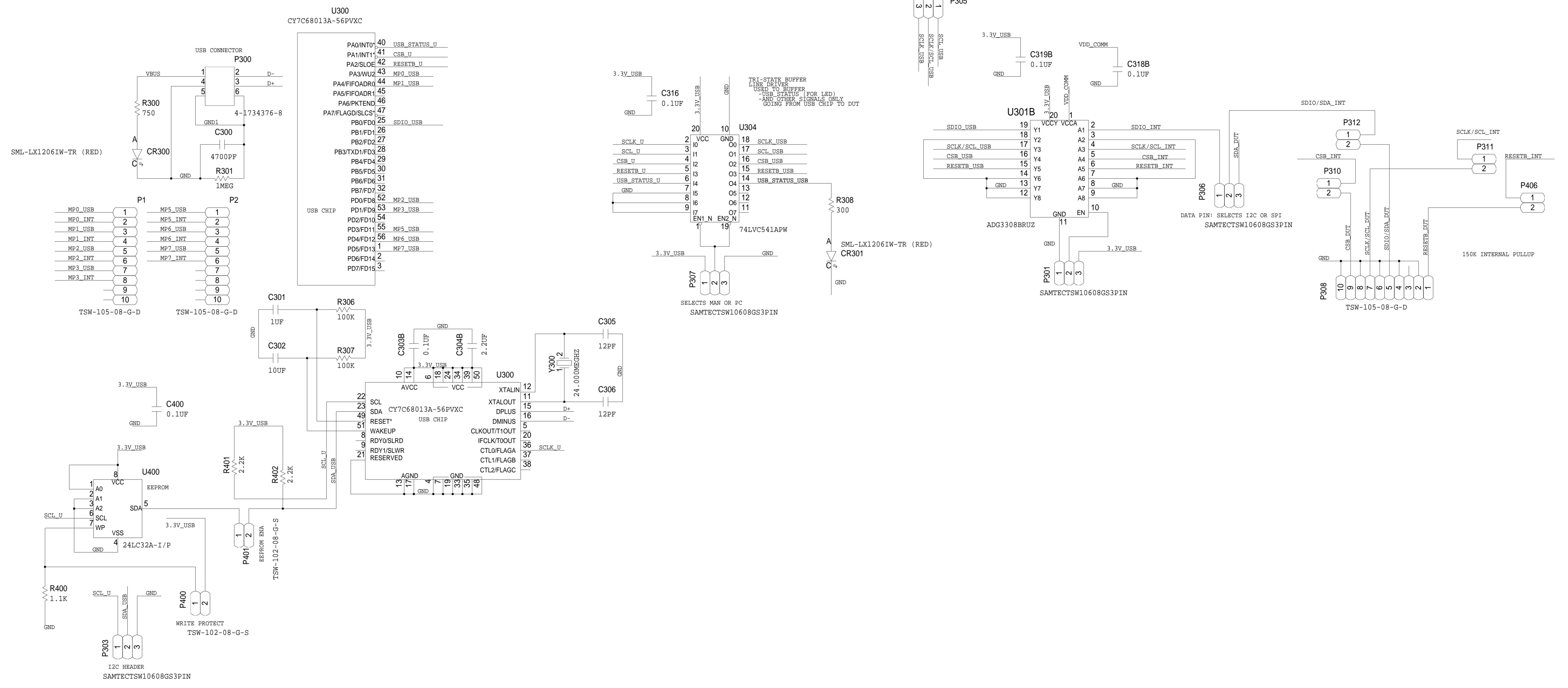


NOTE: CAPS SHOULD BE CLOSEST TO THE PIN OF THE DUT

	SCHEMATIC		
	HW TYPE : Customer Evaluation Product(s) : AD9554-1 : N/A		
DESIGN VIEW <DESIGN_VIEW>	DRAWING NO. 02_037242	REV A	
PTD ENGINEER <PTD_ENGINEER>	SIZE D	SCALE 1:1	SHEET 4 OF 8

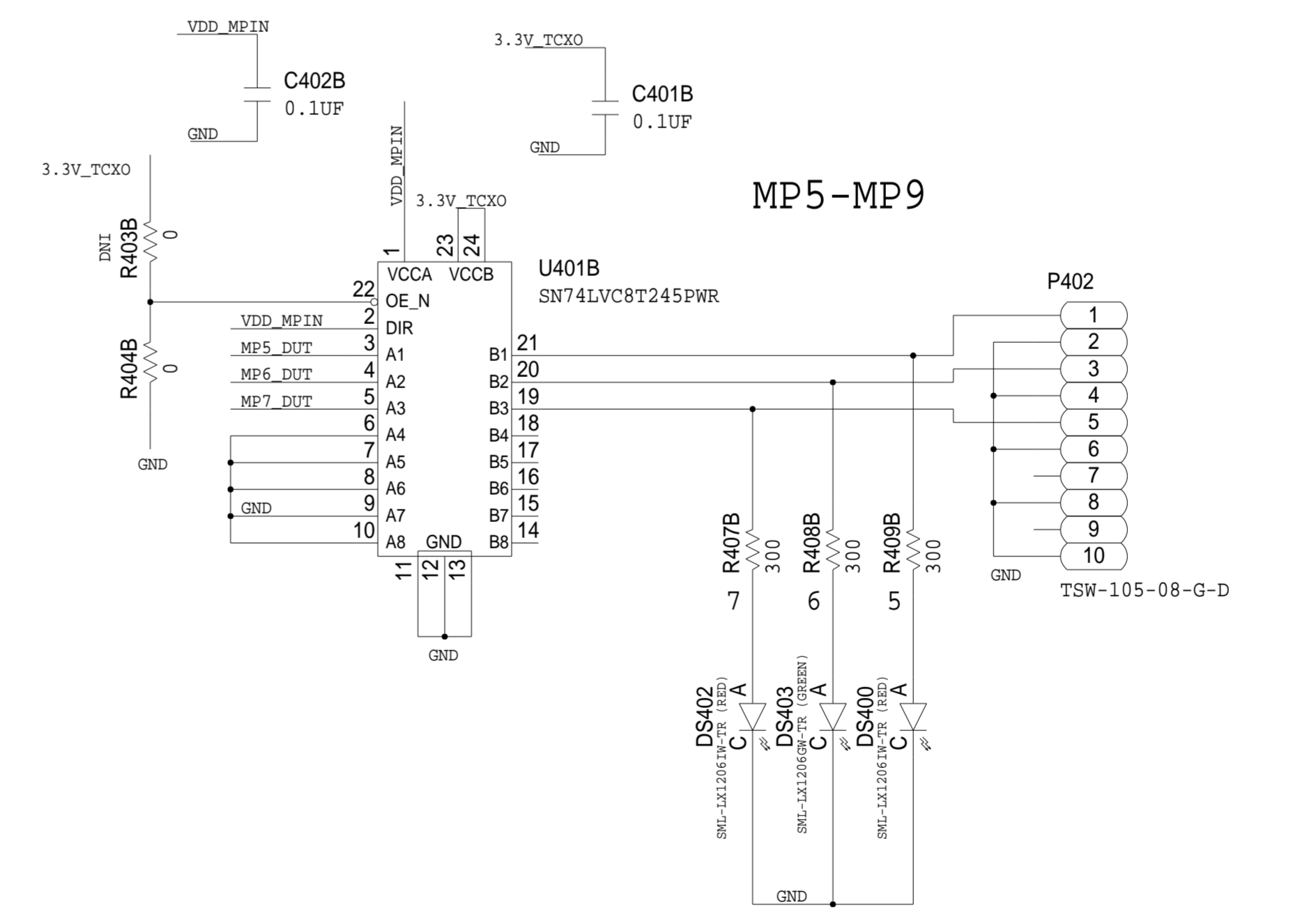
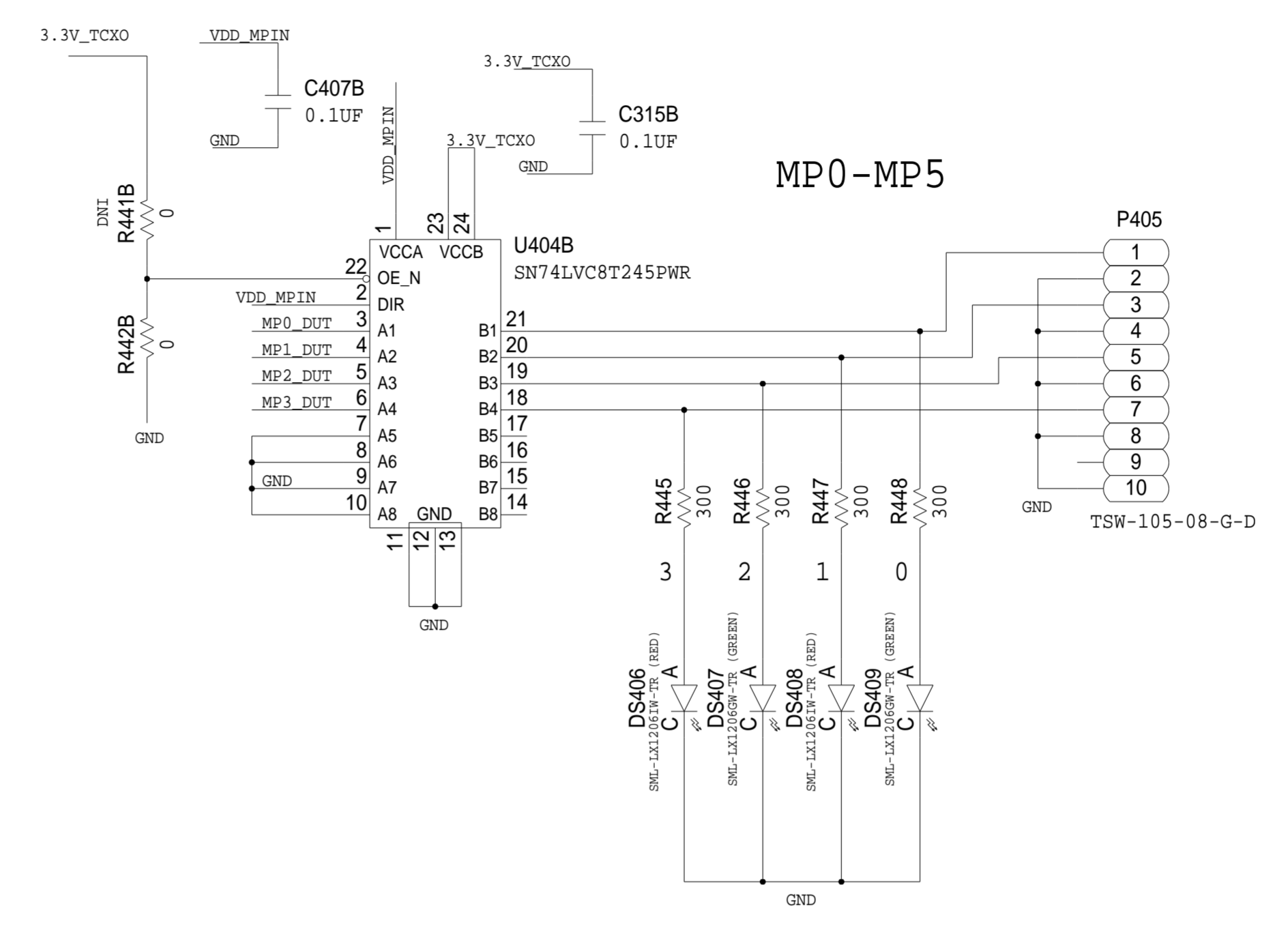
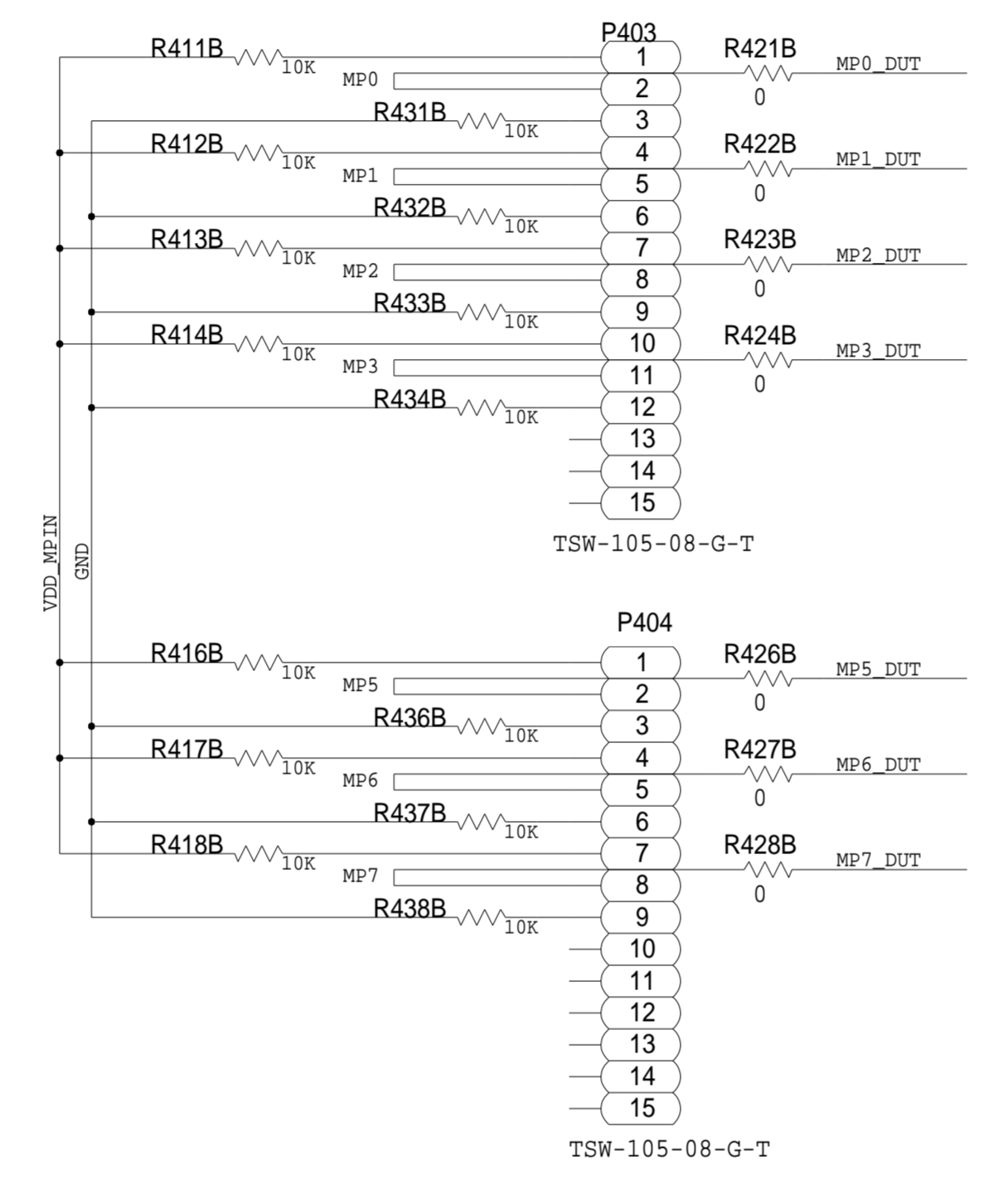
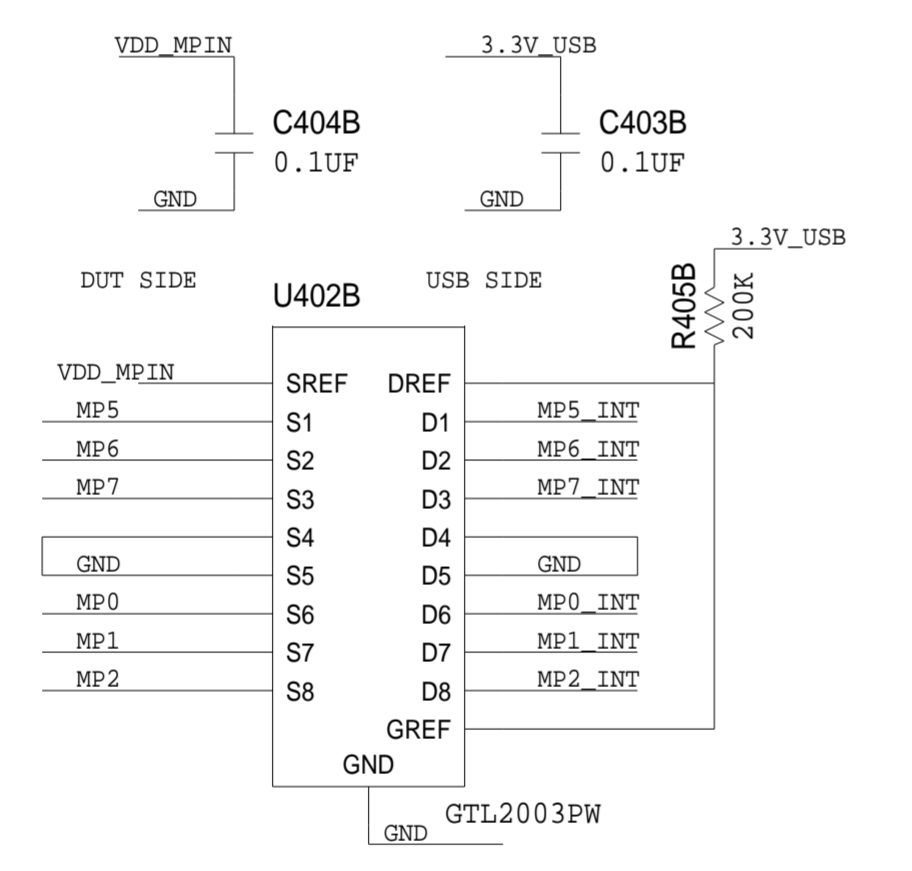
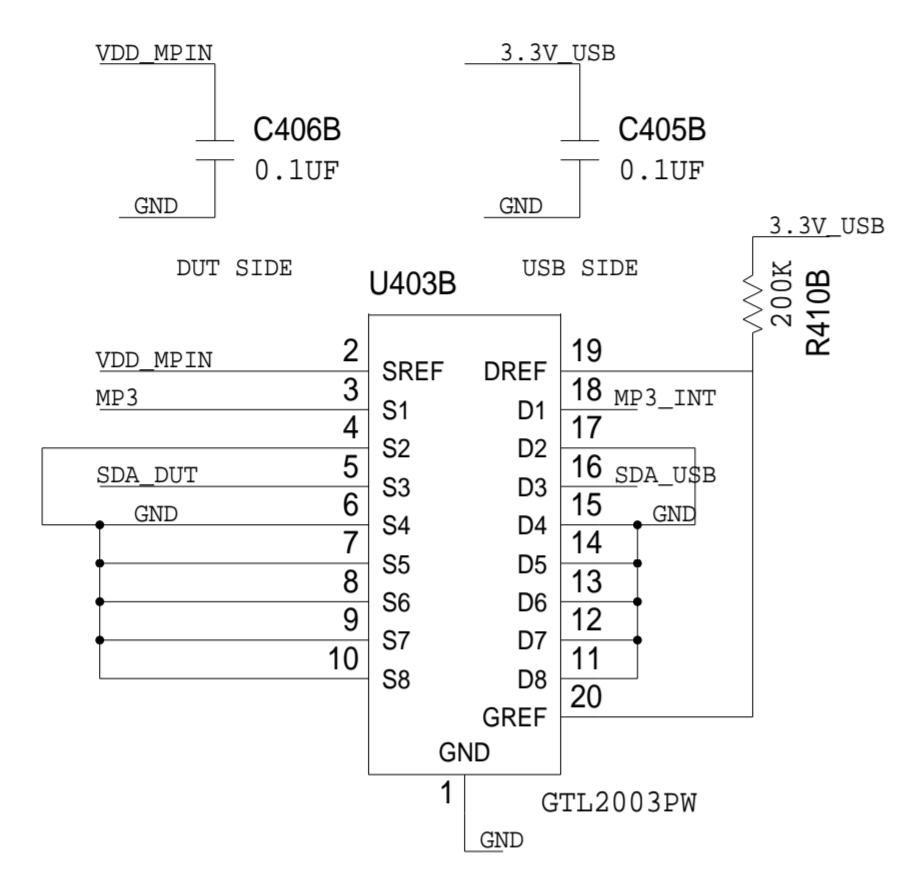
# USB SECTION

REVISIONS			
REV	DESCRIPTION	DATE	APPROVED



	<b>SCHEMATIC</b>		
	HW TYPE : Customer Evaluation Product(s) : Ad9554-1 : N/A		
DESIGN VIEW <DESIGN_VIEW>	DRAWING NO. 02_037242	REV A	
PTD ENGINEER <PTD_ENGINEER>	SIZE D	SCALE 1:1	SHEET 5 OF 8

REVISIONS			
REV	DESCRIPTION	DATE	APPROVED



	<b>SCHEMATIC</b>		
	HW TYPE : Customer Evaluation Product(s) : AD9554-1 : N/A		
	DESIGN VIEW <DESIGN_VIEW>	DRAWING NO. 02_037242	REV A
	PTD ENGINEER <PTD_ENGINEER>	SIZE D	SCALE 1:1
		SHEET 6 OF 8	

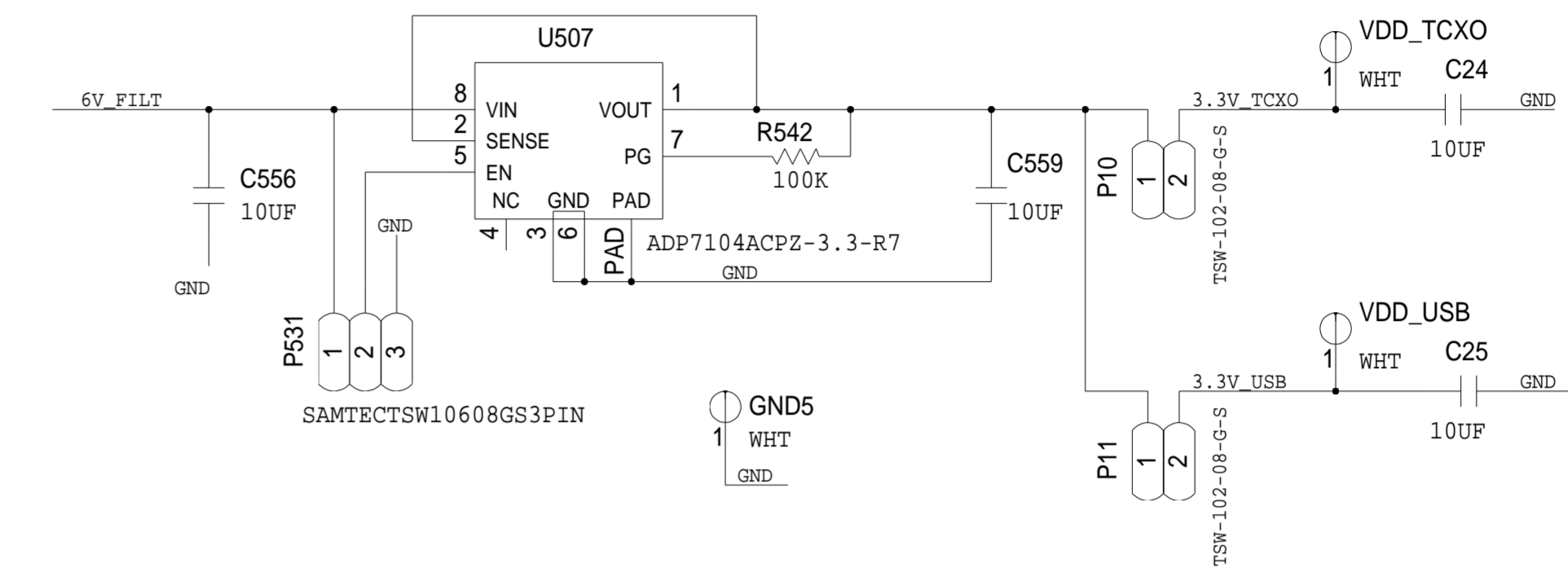
REVISIONS			
REV	DESCRIPTION	DATE	APPROVED

# 1.5/1.8 V REGULATORS

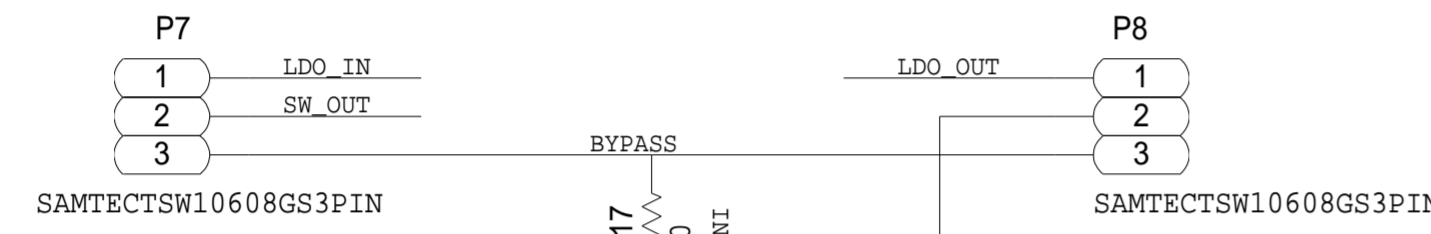
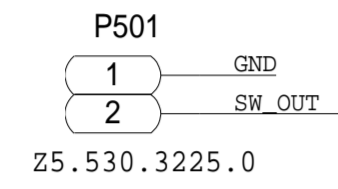
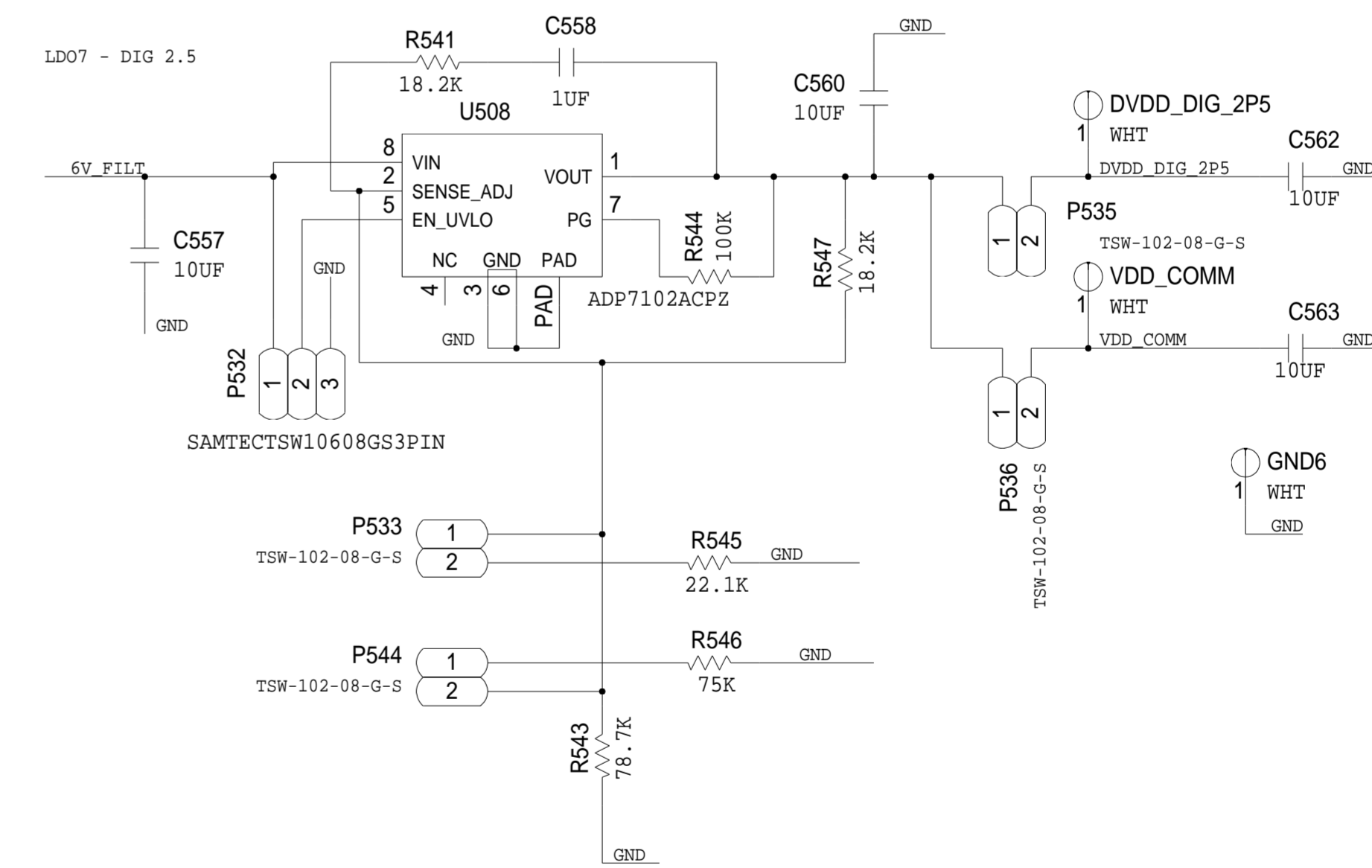
ADP7104  
 78.7K - 1.5V  
 78.7K+75K - 1.8V  
 78.7K+22.1K - 2.5V  
 0 OHM FEEDBACK RESISTOR - 1.22V

ADP1753  
 15K - 1.5V  
 15K+49.9K - 1.8V  
 OUT-FB: 30.9K, FB-GND: 22.1K - 1.2V

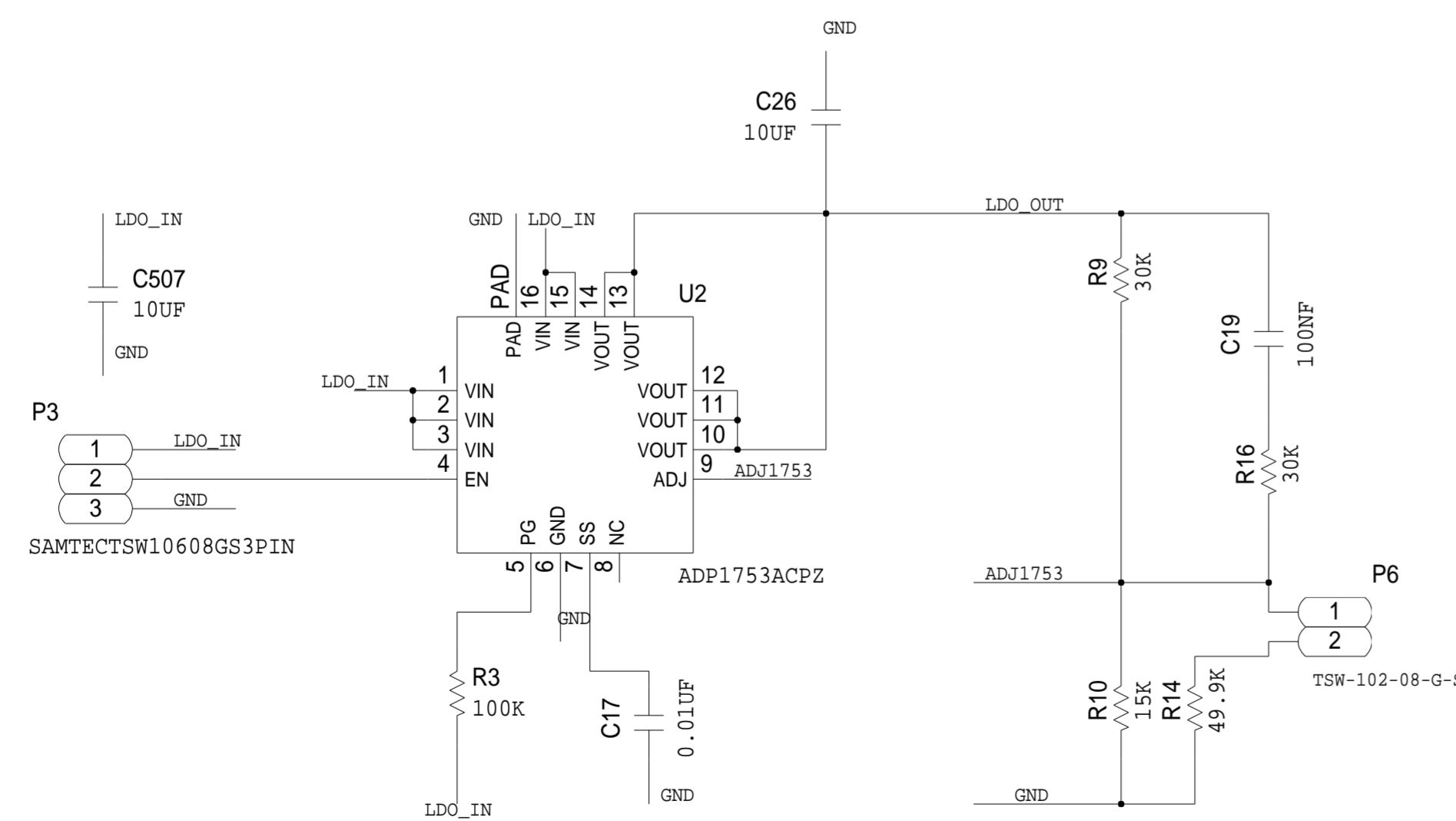
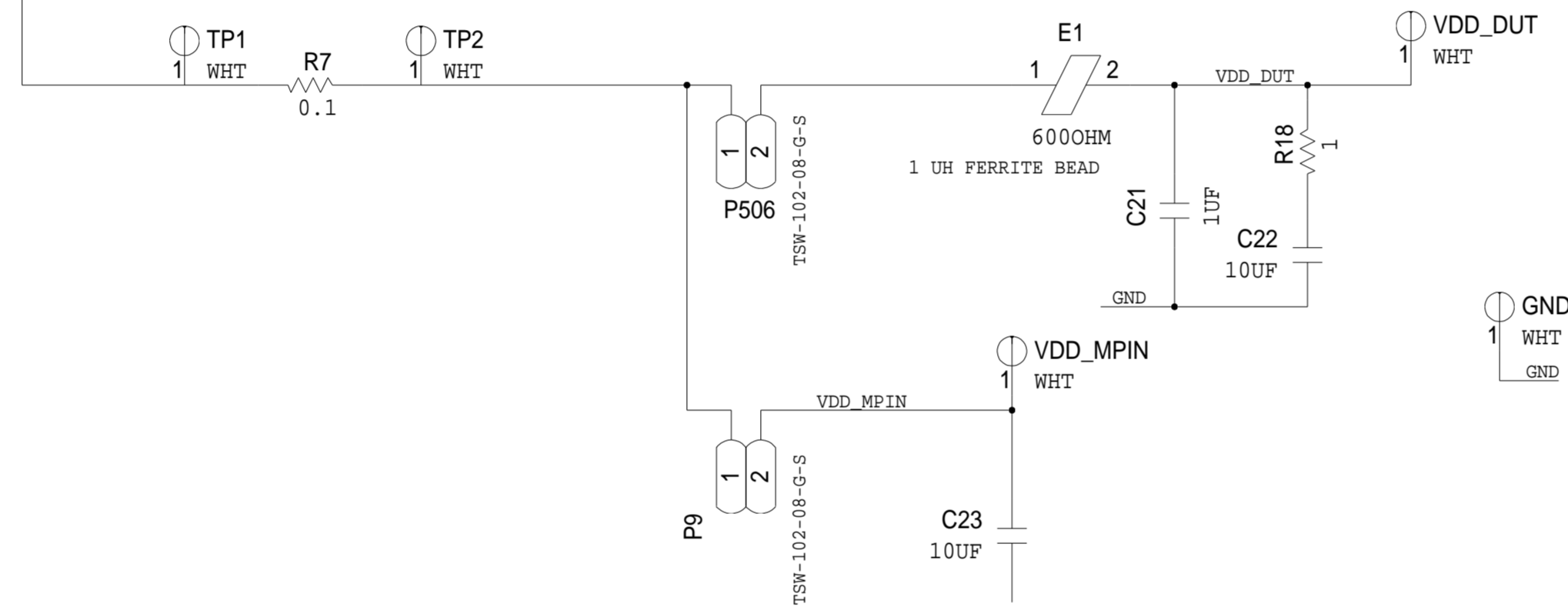
# 3.3V REGULATORS



# 2.5 V REGULATORS



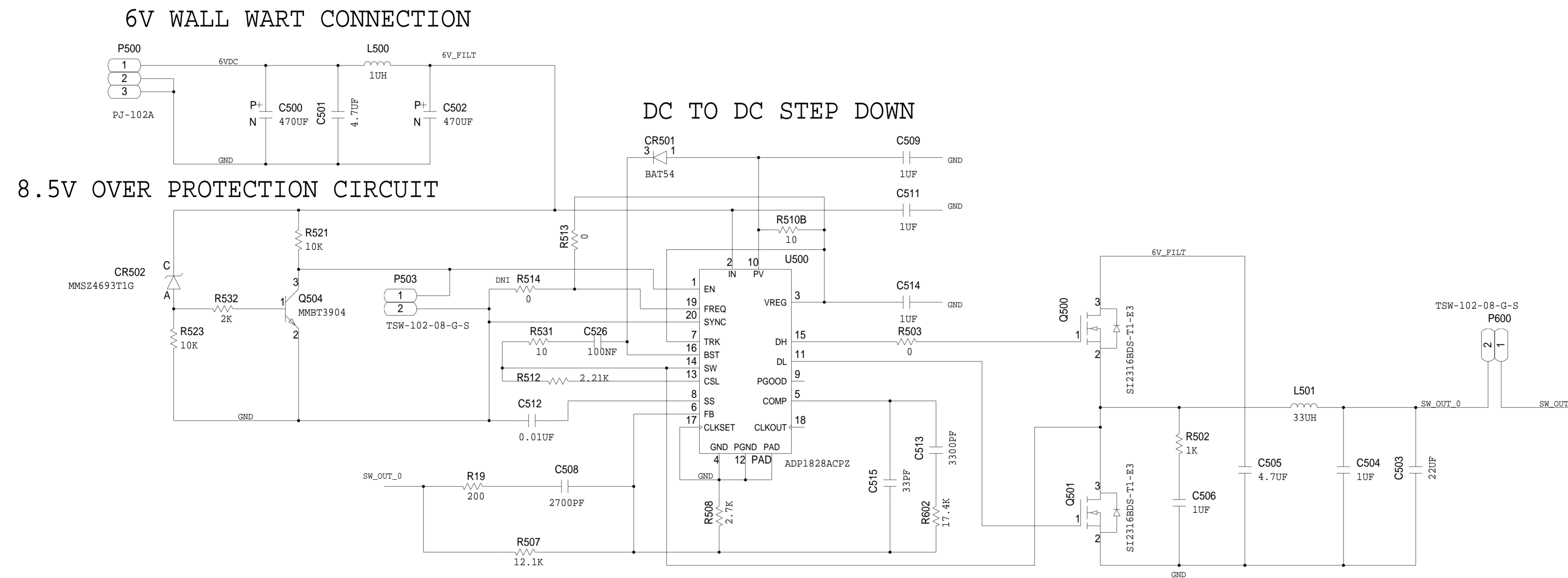
## PI FILTER



	SCHEMATIC		
	HW TYPE : Customer Evaluation Product(s) : AD9554-1 : N/A		
DESIGN VIEW <DESIGN_VIEW>	DRAWING NO. 02_037242	REV A	
PTD ENGINEER <PTD_ENGINEER>	SIZE D	SCALE 1:1	SHEET 7 OF 8

REVISIONS			
REV	DESCRIPTION	DATE	APPROVED

# DC TO DC STEP DOWN - 6V TO 3.3V



	<b>SCHEMATIC</b>		
	HW TYPE : Customer Evaluation Product(s): AD9554-1 : N/A		
	DESIGN VIEW <DESIGN_VIEW>	DRAWING NO. 02_037242	REV A
	PTD ENGINEER <PTD_ENGINEER>	SIZE D	SCALE 1:1
		SHEET 8 OF 8	