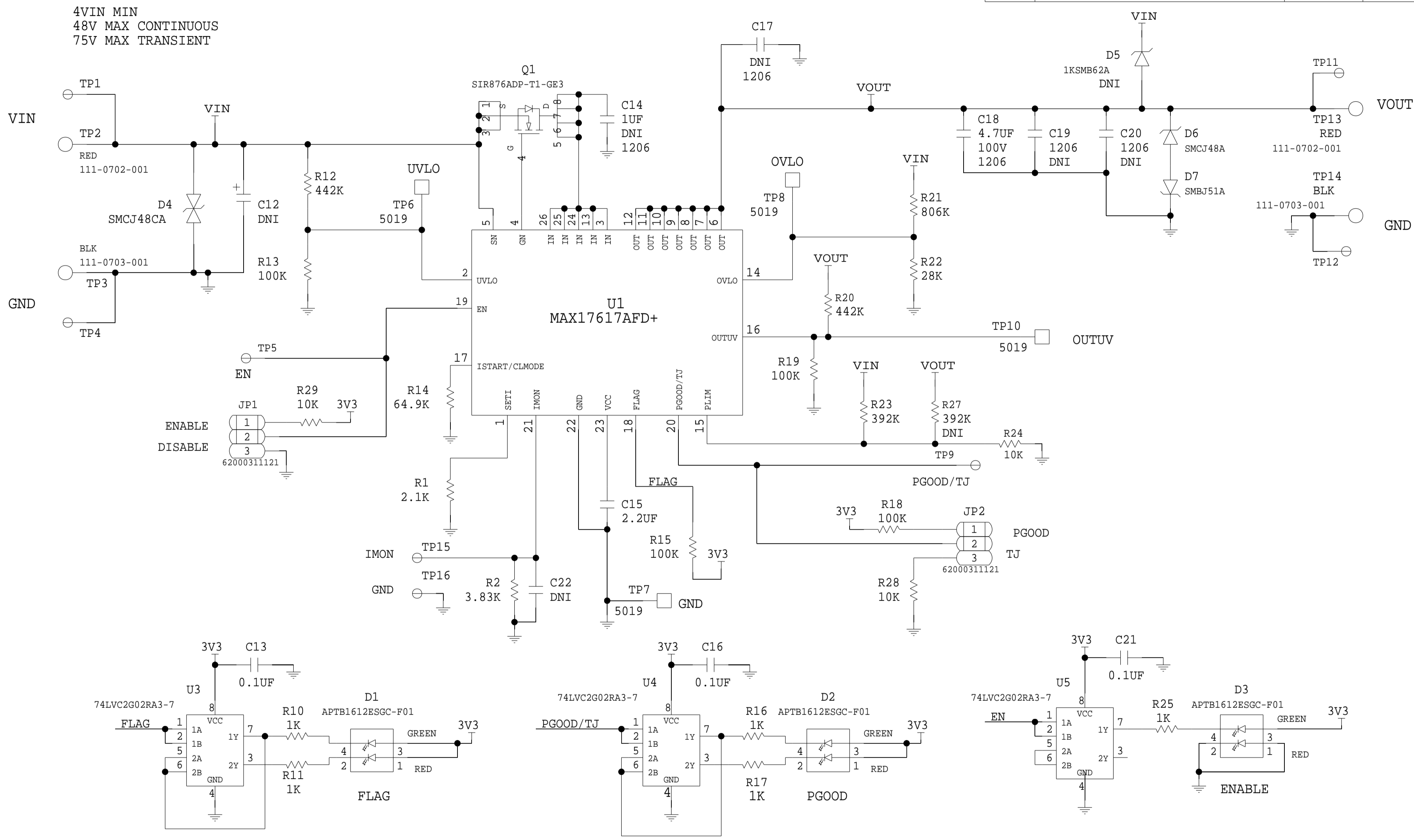


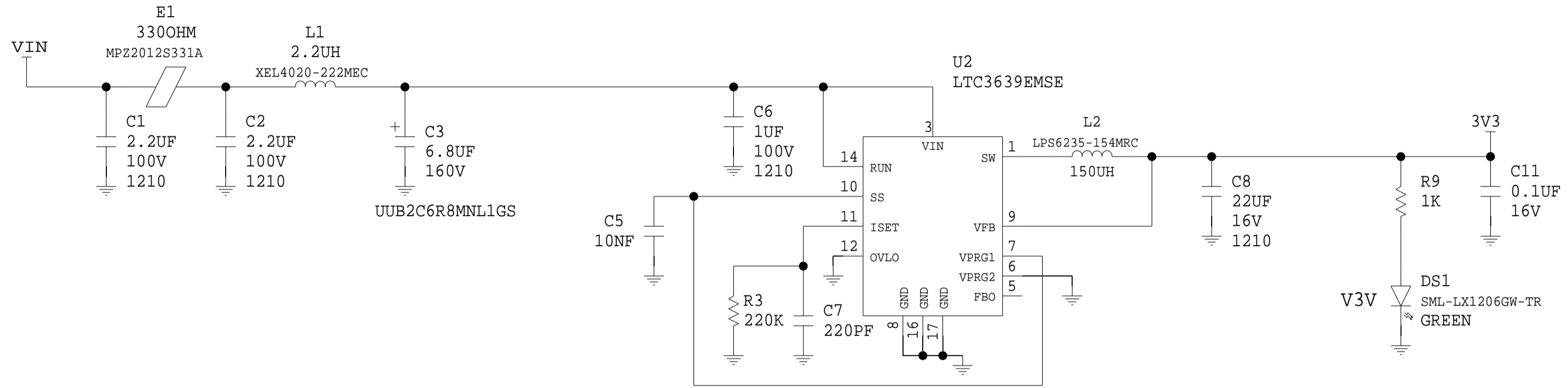
REVISIONS			
REV	DESCRIPTION	DATE	APPROVED
A	INITIAL RELEASE	06JAN23	X
B	ECR-114289	19JUL24	X
C	ECR-122018	19JUL24	X



NOTES: UNLESS OTHERWISE SPECIFIED
 -ALL RESISTORS ARE 0603.
 -ALL CAPACITORS ARE 0603.

		SCHEMATIC	
		HW TYPE : Customer Evaluation MAX17617EVKIT# Product(s): MAX17617 80V, 7A POWER LIMITER WITH REVERSE POLARITY AND LOSS OF GND PROTECTION	
DESIGN VIEW <DESIGN_VIEW>	DRAWING NO. 02_073561		REV C
PTD ENGINEER -	SIZE C	SCALE 1:1	SHEET 1 OF 2

REVISIONS			
REV	DESCRIPTION	DATE	APPROVED



NOTES: UNLESS OTHERWISE SPECIFIED
 -ALL RESISTORS ARE 0603.
 -ALL CAPACITORS ARE 0603.

	SCHEMATIC			
	HW TYPE : Customer Evaluation MAXI7617EVKIT#			
	Product(s): MAXI7617 80V, 7A POWER LIMITER WITH REVERSE POLARITY AND LOSS OF GND PROTECTION			
	DESIGN VIEW <DESIGN_VIEW>	DRAWING NO. 02_073561		REV C
PTD ENGINEER -	SIZE C	SCALE 1:1	SHEET 2 OF 2	

THIS DRAWING IS THE PROPERTY OF ANALOG DEVICES INC. IT IS NOT TO BE REPRODUCED OR COPIED, IN WHOLE OR IN PART, OR USED IN FURNISHING INFORMATION TO OTHERS, OR FOR ANY OTHER PURPOSE DETRIMENTAL TO THE INTERESTS OF ANALOG DEVICES. THE EQUIPMENT SHOWN HEREIN MAY BE PROTECTED BY PATENTS OWNED OR CONTROLLED BY OWNED ANALOG DEVICES.