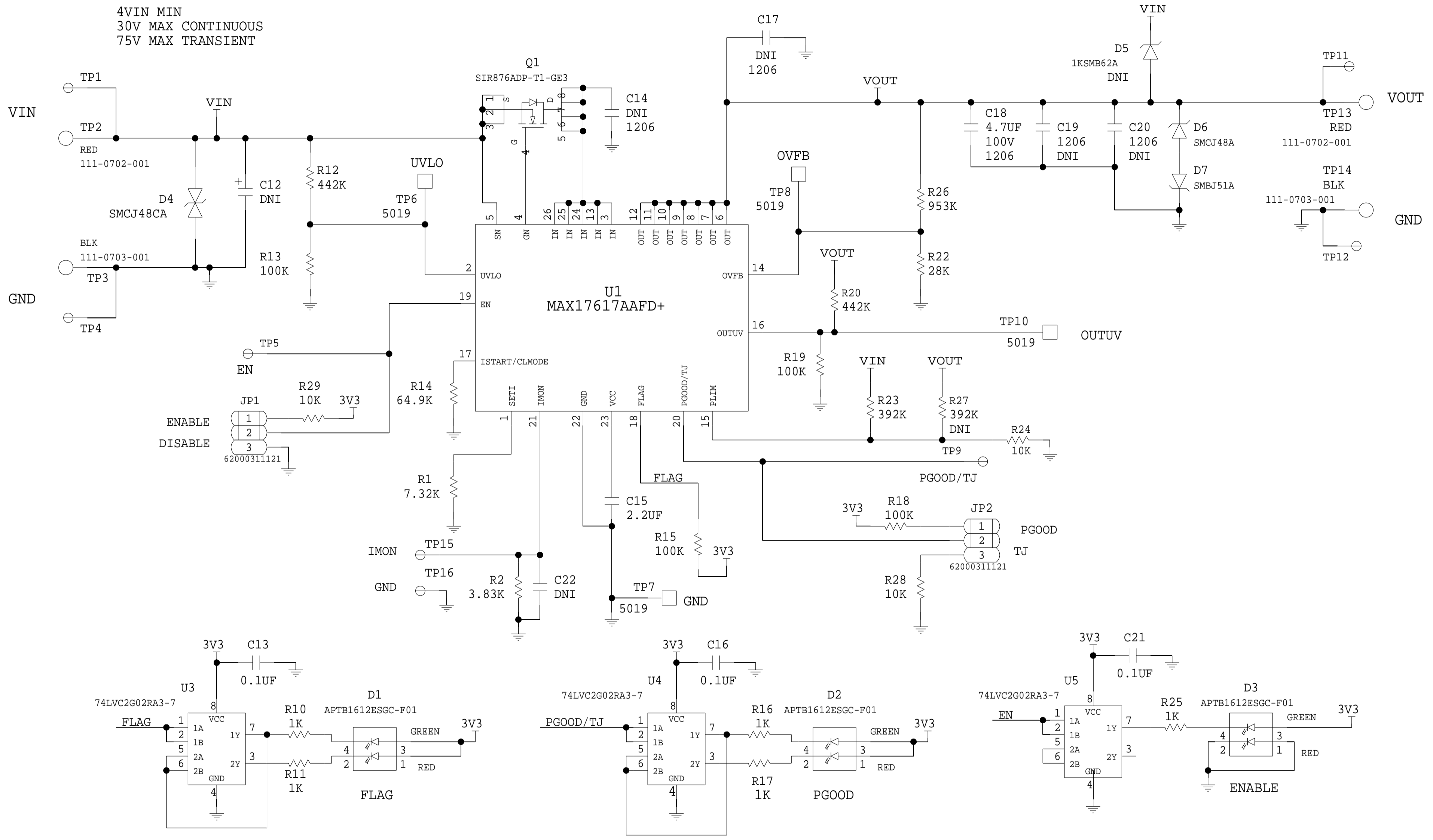


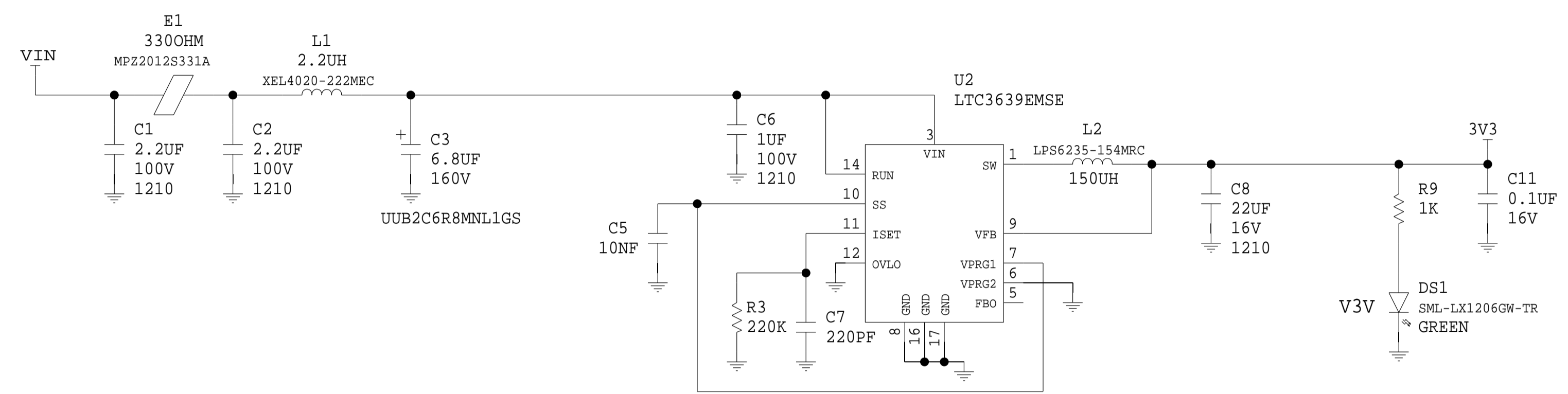
REVISIONS			
REV	DESCRIPTION	DATE	APPROVED
A	INITIAL RELEASE	24JUL24	X



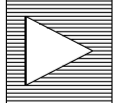
NOTES: UNLESS OTHERWISE SPECIFIED
 -ALL RESISTORS ARE 0603.
 -ALL CAPACITORS ARE 0603.

	SCHEMATIC		
	HW TYPE : Customer Evaluation MAX17617AEBKIT# Product(s): MAX17617A 80V, 2A POWER LIMITER WITH REVERSE POLARITY AND LOSS OF GND PROTECTION		
	DESIGN VIEW <DESIGN_VIEW>	DRAWING NO. 02_082182	REV A
	PTD ENGINEER -	SIZE C	SCALE 1:1
		SHEET 1 OF 2	

REVISIONS			
REV	DESCRIPTION	DATE	APPROVED



NOTES: UNLESS OTHERWISE SPECIFIED
 -ALL RESISTORS ARE 0603.
 -ALL CAPACITORS ARE 0603.

 ANALOG DEVICES	SCHEMATIC			
	HW TYPE : Customer Evaluation MAXI7617AEBKIT# Product(s): MAXI7617A 80V, 2A POWER LIMITER WITH REVERSE POLARITY AND LOSS OF GND PROTECTION			
	DESIGN VIEW <DESIGN_VIEW>	DRAWING NO. 02_082182	REV A	
	PTD ENGINEER -	SIZE C	SCALE 1:1	SHEET 2 OF 2

THIS DRAWING IS THE PROPERTY OF ANALOG DEVICES INC. IT IS NOT TO BE REPRODUCED OR COPIED, IN WHOLE OR IN PART, OR USED IN FURNISHING INFORMATION TO OTHERS, OR FOR ANY OTHER PURPOSE DETRIMENTAL TO THE INTERESTS OF ANALOG DEVICES. THE EQUIPMENT SHOWN HEREIN MAY BE PROTECTED BY PATENTS OWNED OR CONTROLLED BY OWNED ANALOG DEVICES.