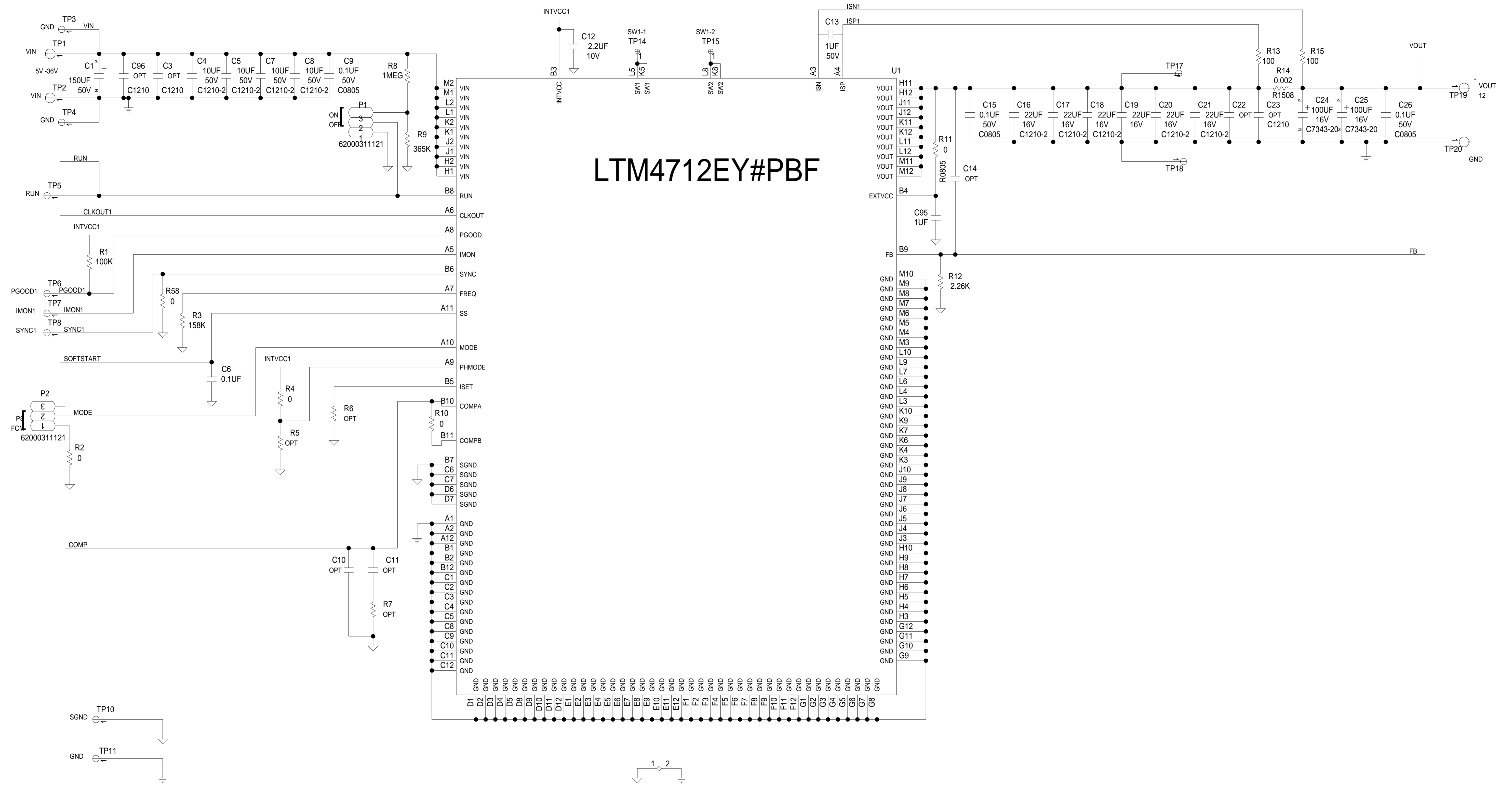


REVISIONS			
REV	DESCRIPTION	DATE	APPROVED
1	PROTO	1/16/24	W.B

LTM4712EY#PBF

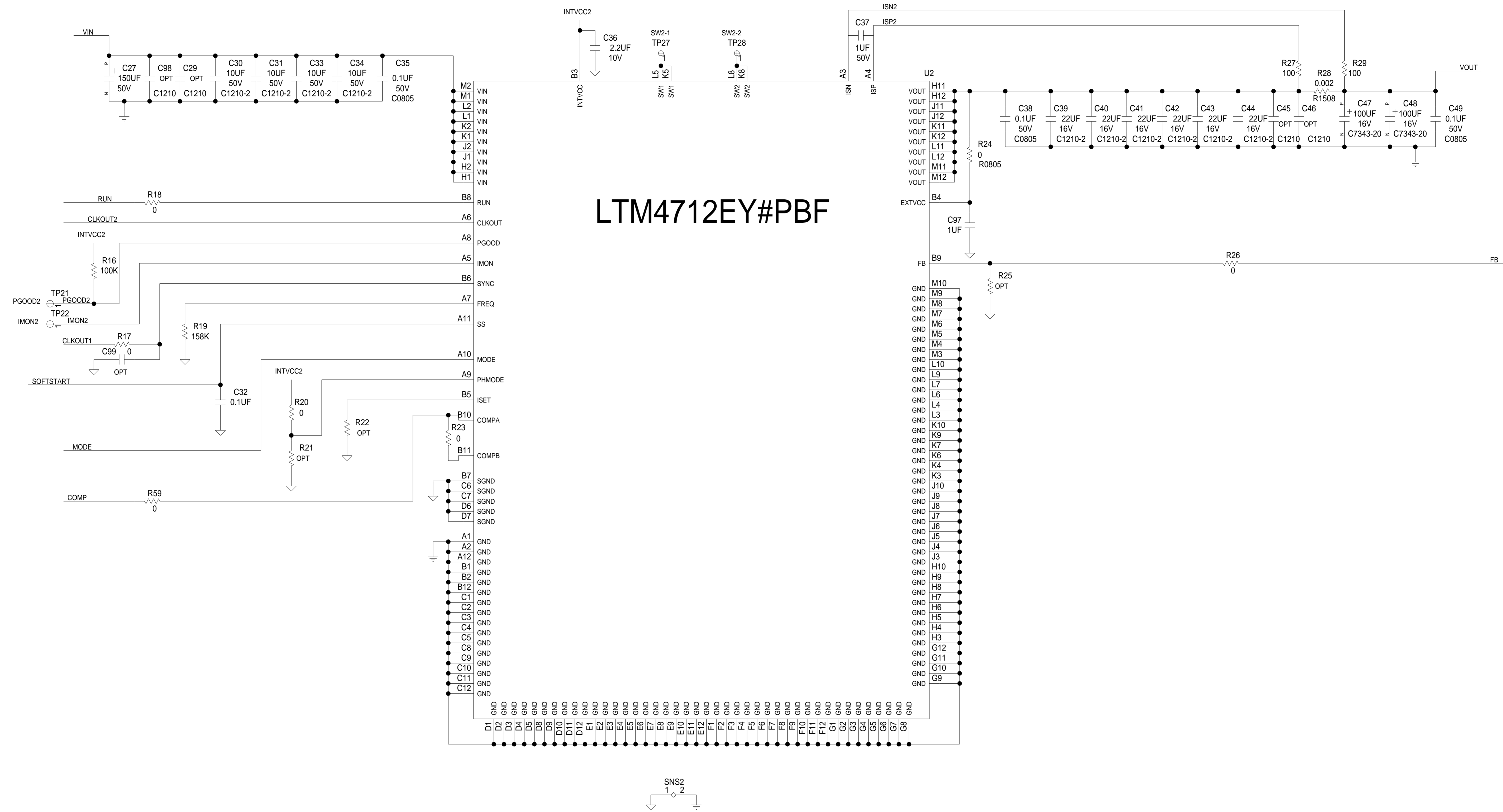


NOTE: UNLESS OTHERWISE SPECIFIED
 1. ALL RESISTORS ARE 0603, 1%.
 ALL CAPACITORS ARE 0603.

ANALOG DEVICES		SCHEMATIC	
HW TYPE : Customer Evaluation Product(s) : LTM4712-AZ High Density Polyphase Buck- Boost Power μModule Regulator		DRAWING NO. 02_072694	
DESIGN VIEW <DESIGN_VIEW>	PTD ENGINEER	SCALE 1:1	REV B
-		SHEET 1	OF 4

REVISIONS			
REV	DESCRIPTION	DATE	APPROVED

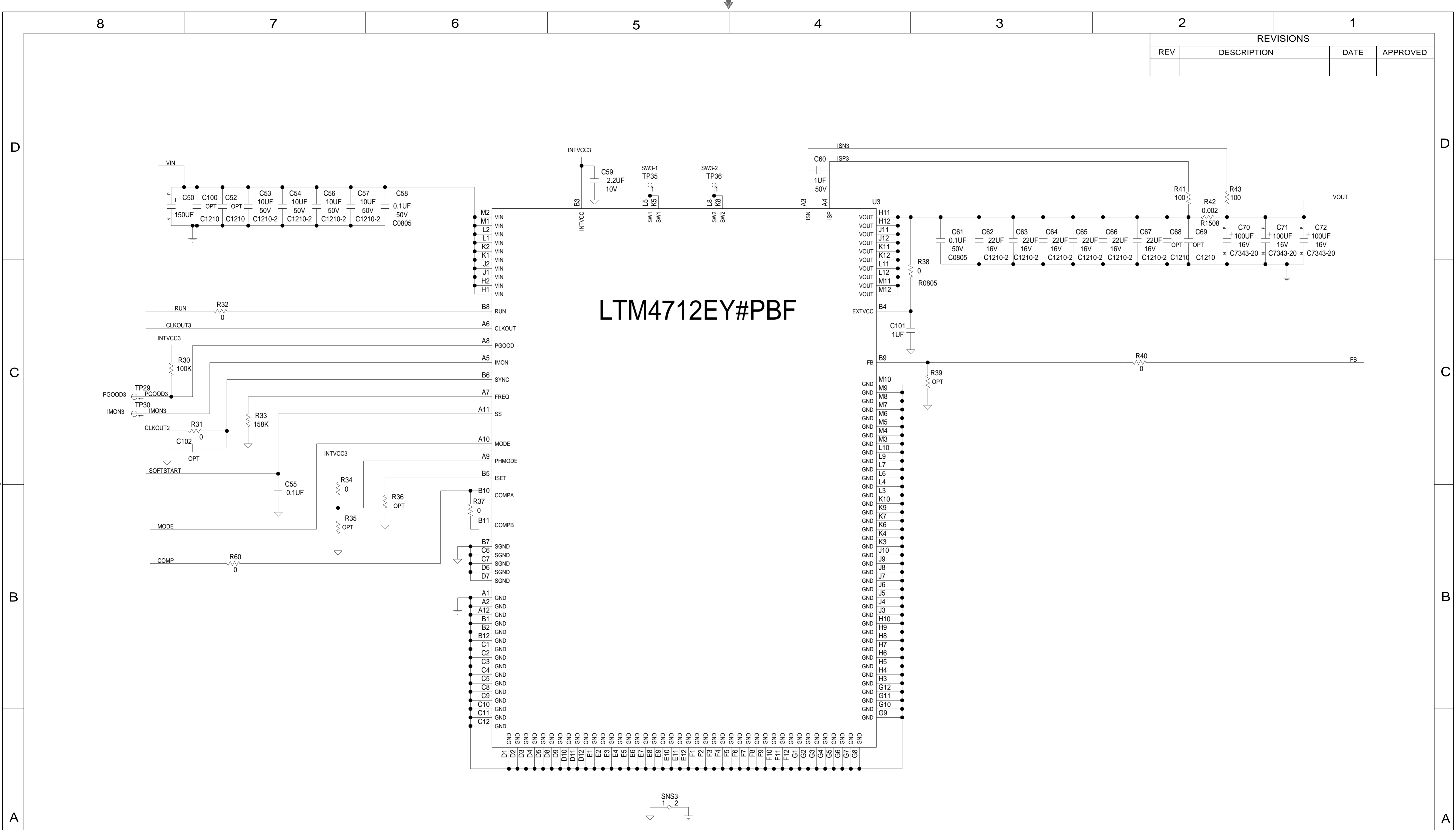
LTM4712EY#PBF



	SCHEMATIC		
	HW TYPE : Customer Evaluation Product(s): LTM4712-AZ High Density Polyphase Buck- Boost Power μ Module Regulator		
	DESIGN VIEW <DESIGN_VIEW>	DRAWING NO. 02_072694	REV B
PTD ENGINEER -	SIZE D	SCALE 1:1	SHEET 2 OF 4

THIS DRAWING IS THE PROPERTY OF ANALOG DEVICES INC. IT IS NOT TO BE REPRODUCED OR COPIED, IN WHOLE OR IN PART, OR USED IN FURNISHING INFORMATION TO OTHERS, OR FOR ANY OTHER PURPOSE DETRIMENTAL TO THE INTERESTS OF ANALOG DEVICES. THE EQUIPMENT SHOWN HEREON MAY BE PROTECTED BY PATENTS OWNED OR CONTROLLED BY ANALOG DEVICES.

REVISIONS			
REV	DESCRIPTION	DATE	APPROVED



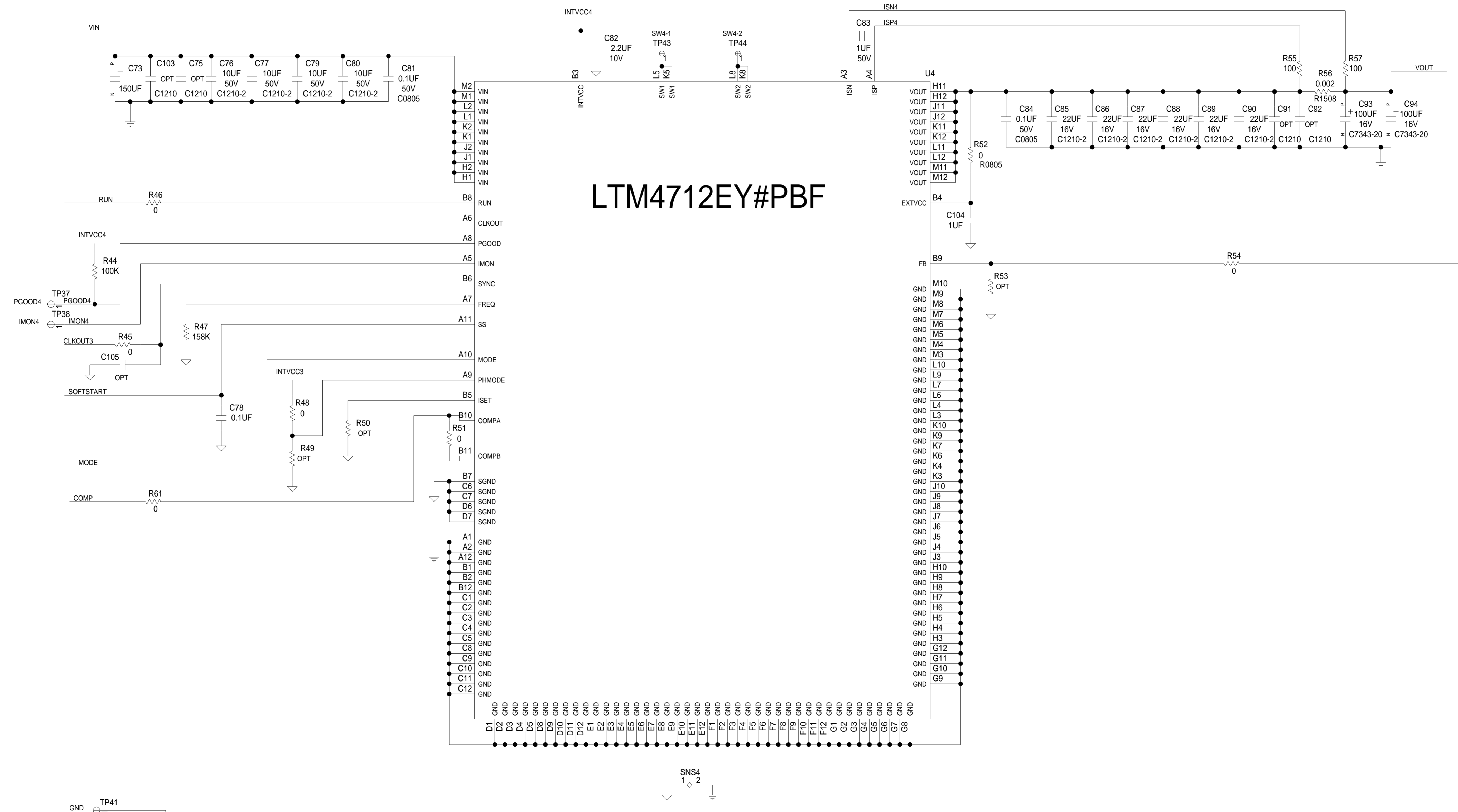
LTM4712EY#PBF

	SCHEMATIC		
	HW TYPE : Customer Evaluation Product(s) : LTM4712-AZ High Density Polyphase Buck- Boost Power μ Module Regulator		
	DESIGN VIEW <DESIGN_VIEW>	DRAWING NO. 02_072694	REV B
PTD ENGINEER -	SIZE D	SCALE 1:1	SHEET 3 OF 4

THIS DRAWING IS THE PROPERTY OF ANALOG DEVICES INC. IT IS NOT TO BE REPRODUCED OR COPIED, IN WHOLE OR IN PART, OR USED IN FURNISHING INFORMATION TO OTHERS, OR FOR ANY OTHER PURPOSE DETRIMENTAL TO THE INTERESTS OF ANALOG DEVICES. THE EQUIPMENT SHOWN HEREON MAY BE PROTECTED BY PATENTS OWNED OR CONTROLLED BY ANALOG DEVICES.

REVISIONS			
REV	DESCRIPTION	DATE	APPROVED

LTM4712EY#PBF



	SCHEMATIC		
	HW TYPE : Customer Evaluation Product(s): LTM4712-AZ High Density Polyphase Buck- Boost Power μ Module Regulator		
	DESIGN VIEW <DESIGN_VIEW>	DRAWING NO. 02_072694	REV B
	PTD ENGINEER -	SIZE D	SCALE 1:1

THIS DRAWING IS THE PROPERTY OF ANALOG DEVICES INC. IT IS NOT TO BE REPRODUCED OR COPIED, IN WHOLE OR IN PART, OR USED IN ANY MANNER WITHOUT THE WRITTEN PERMISSION OF ANALOG DEVICES. THE EQUIPMENT SHOWN HEREIN MAY BE PROTECTED BY PATENTS OWNED OR CONTROLLED BY ANALOG DEVICES.