



8 7 6 5 4 3 2 1

THIS DRAWING IS THE PROPERTY OF ANALOG DEVICES INC. IT IS NOT TO BE REPRODUCED OR COPIED, IN WHOLE OR IN PART, OR USED IN FURNISHING INFORMATION TO OTHERS, OR FOR ANY OTHER PURPOSE DETRIMENTAL TO THE INTERESTS OF ANALOG DEVICES. THE EQUIPMENT SHOWN HEREON MAY BE PROTECTED BY PATENTS OWNED OR CONTROLLED BY ANALOG DEVICES.

REVISIONS			
REV	DESCRIPTION	DATE	APPROVED
A	INITIAL RELEASE	23NOV22	R. SUMAWAN III
B	AS PER ECR-120151	03MAY24	J. DELOSSANTOS
B1	AS PER ECR-122614	25SEP24	W. BALLAR

D
C
B
A

D
C
B
A

TEMPLATE ENGINEER N/A	DATE	SCHEMATIC		 	
HARDWARE SERVICES M. VALE	23NOV22				
HARDWARE SYSTEMS N/A		HW TYPE : Customer Evaluation Z Product(s) : LTM4638 : N/A PACKAGE : LeadCount-lead BodySize PackageType-family : Pitch-pitch StyleVendor Style			
TEST ENGINEER N/A		<User Define>			
COMPONENT ENGINEER D. TAMISEN	23NOV22	<User Define>			
TEST PROCESS N/A		<User Define>			
HARDWARE RELEASE K. JABATAN	23NOV22	<User Define>			
DESIGNER N. CORDOVA	23NOV22	MASTER PROJECT TEMPLATE TBD	TESTER TEMPLATE 065804_a	DRAWING NO. 02_072962	
PTD ENGINEER R. DE GUIA	23NOV22	UNLESS OTHERWISE SPECIFIED DIMENSIONS ARE IN INCHES		REV. B	
CHECKER N/A		TOLERANCES		SIZE	
		DECIMALS X.XX +0.010 X.XXX +0.005	FRACTIONS +1/32	ANGLES +2	SCALE 1:1
				CODE ID NO. CodeID	SHEET 1 OF 3

8 7 6 5 4 3 2 1

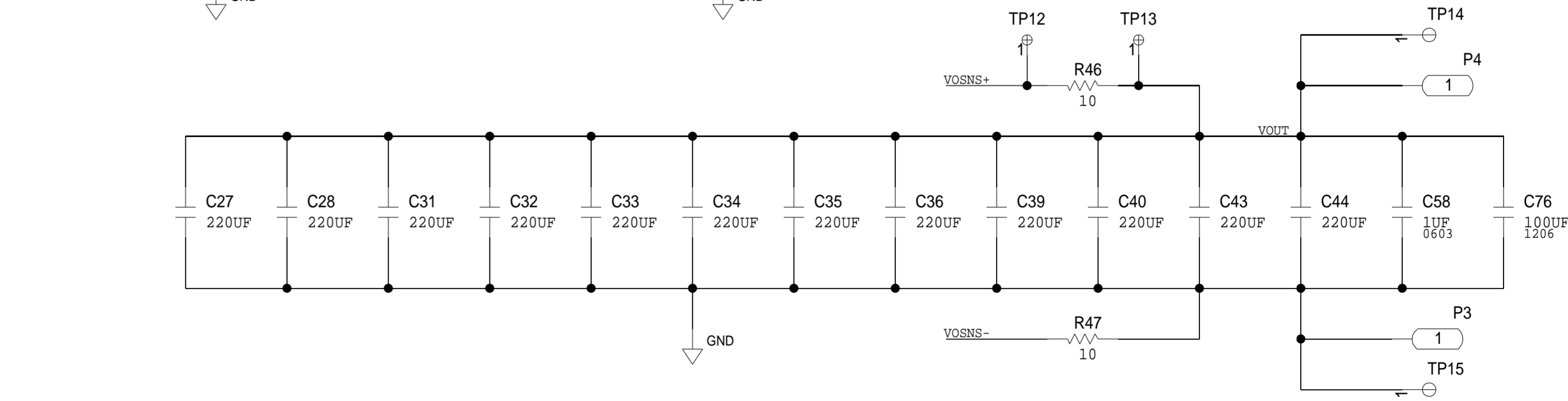
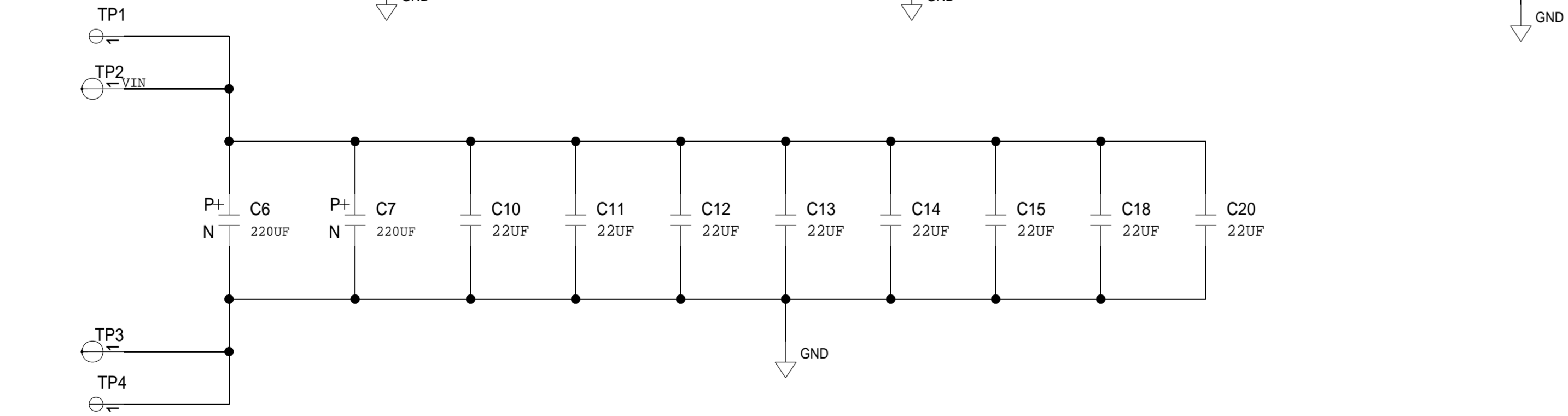
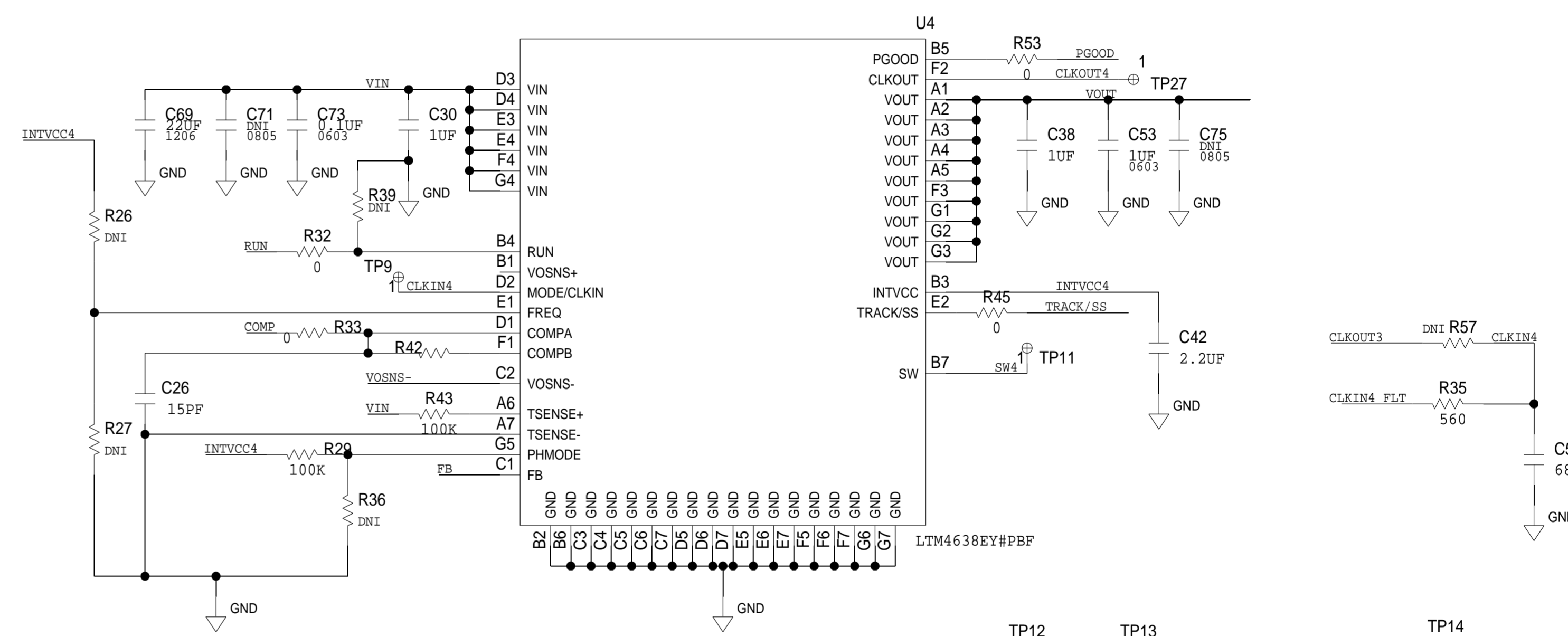
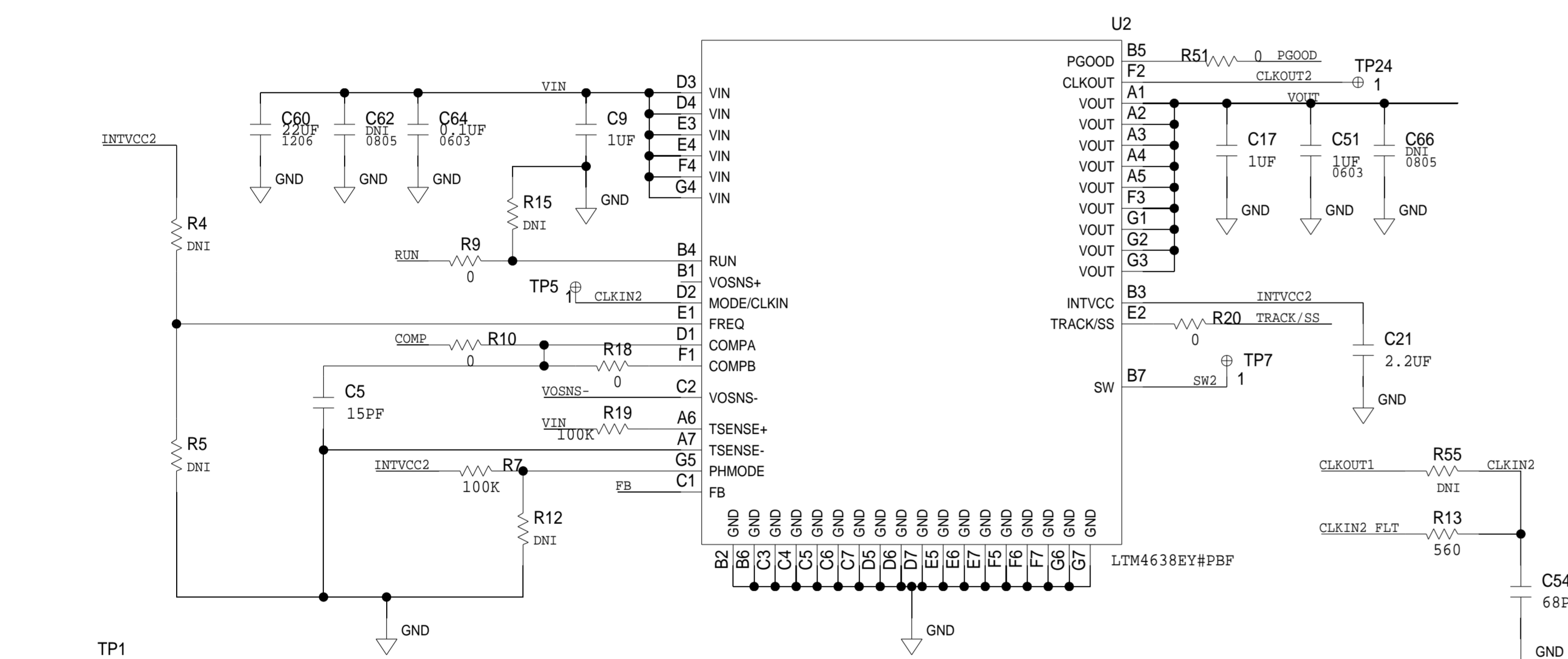
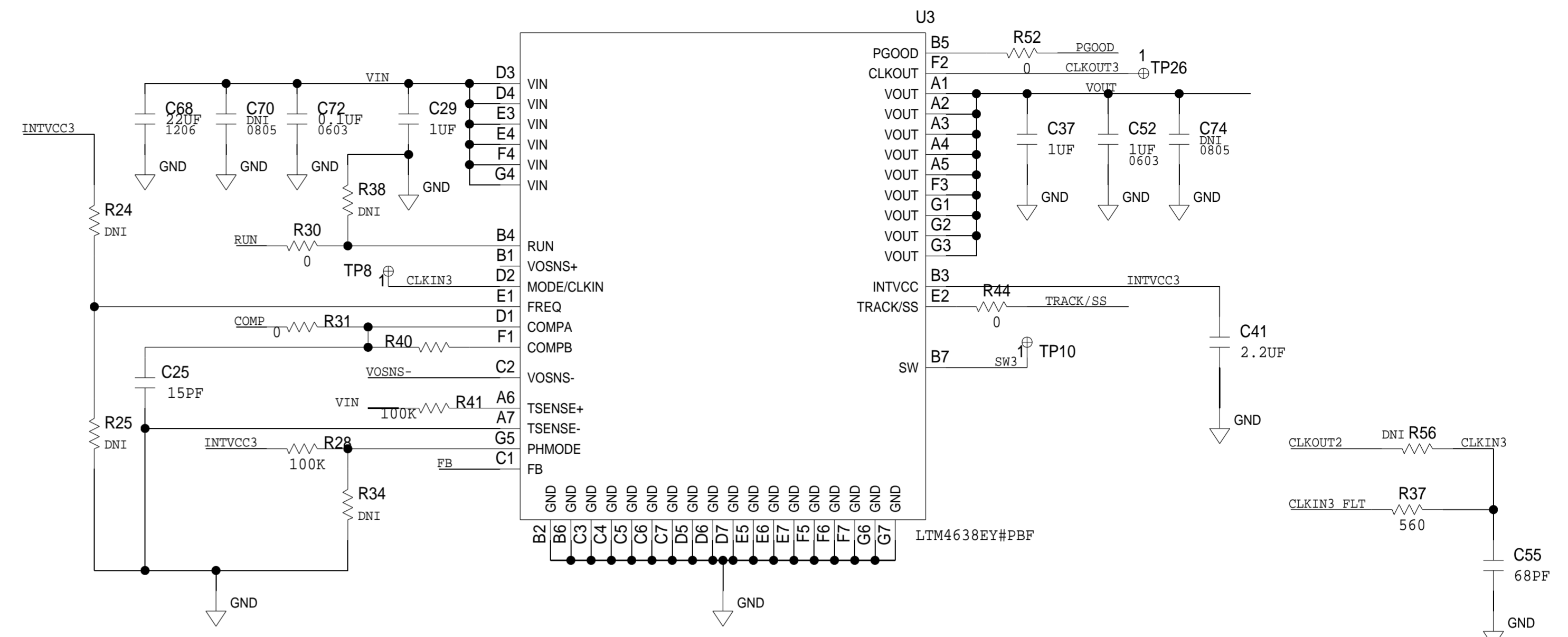
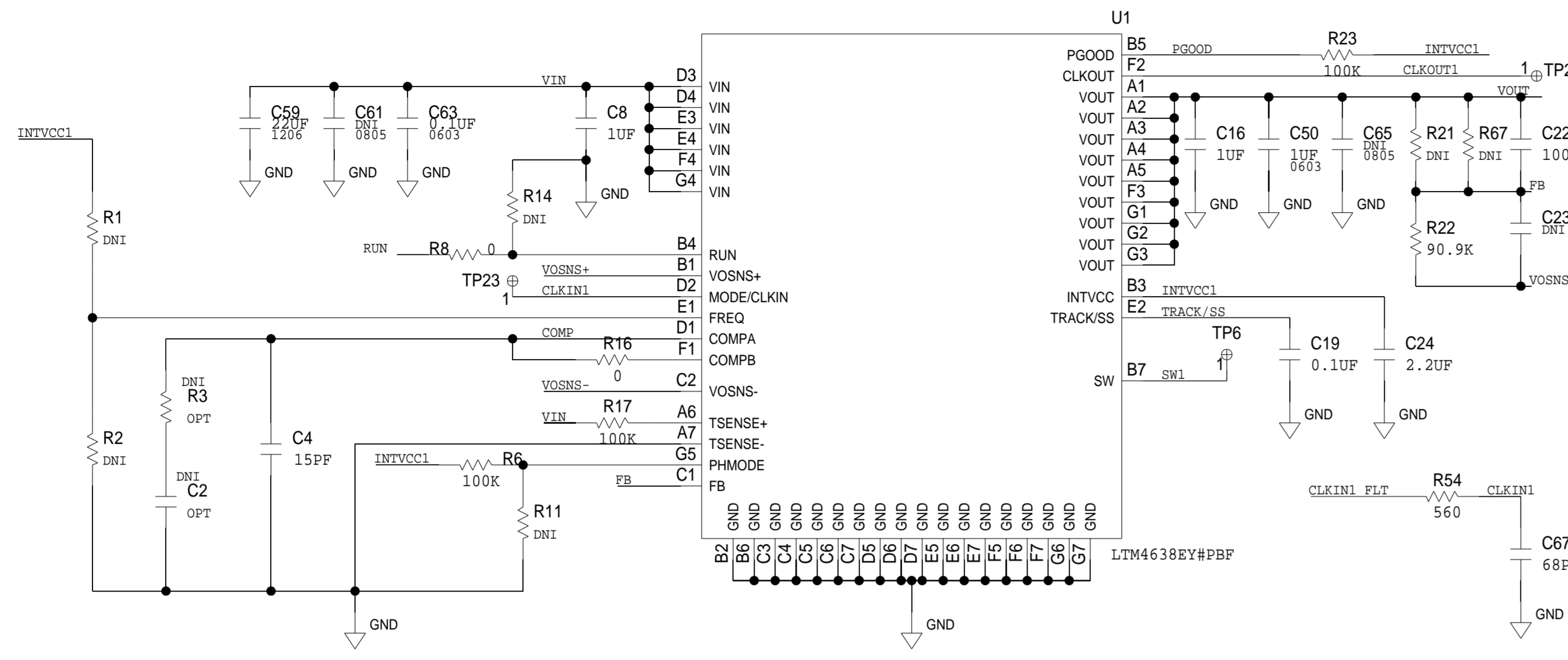
REVISIONS			
REV	DESCRIPTION	DATE	APPROVED

PHASE 1

PHASE 3

PHASE 2

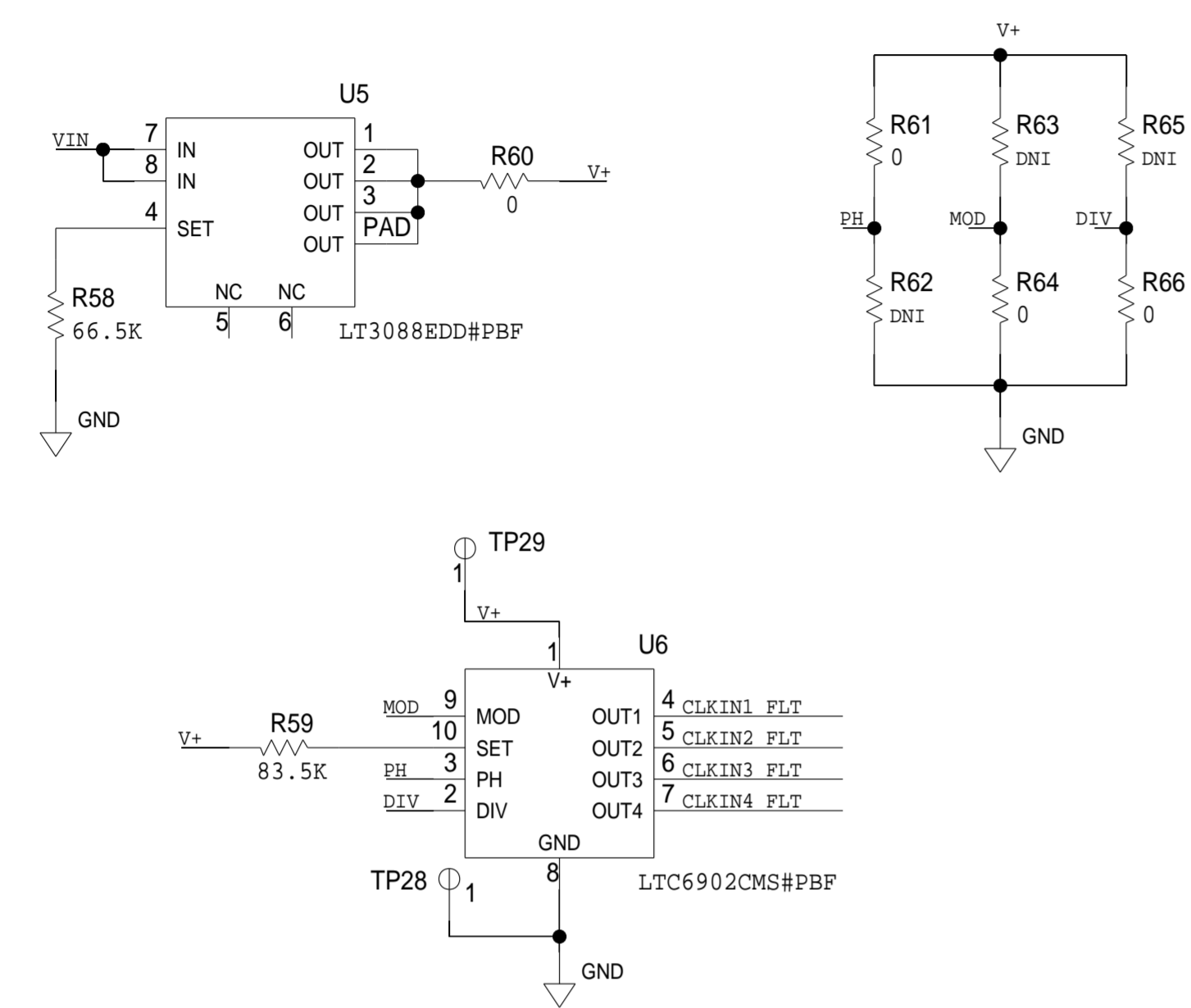
PHASE 4



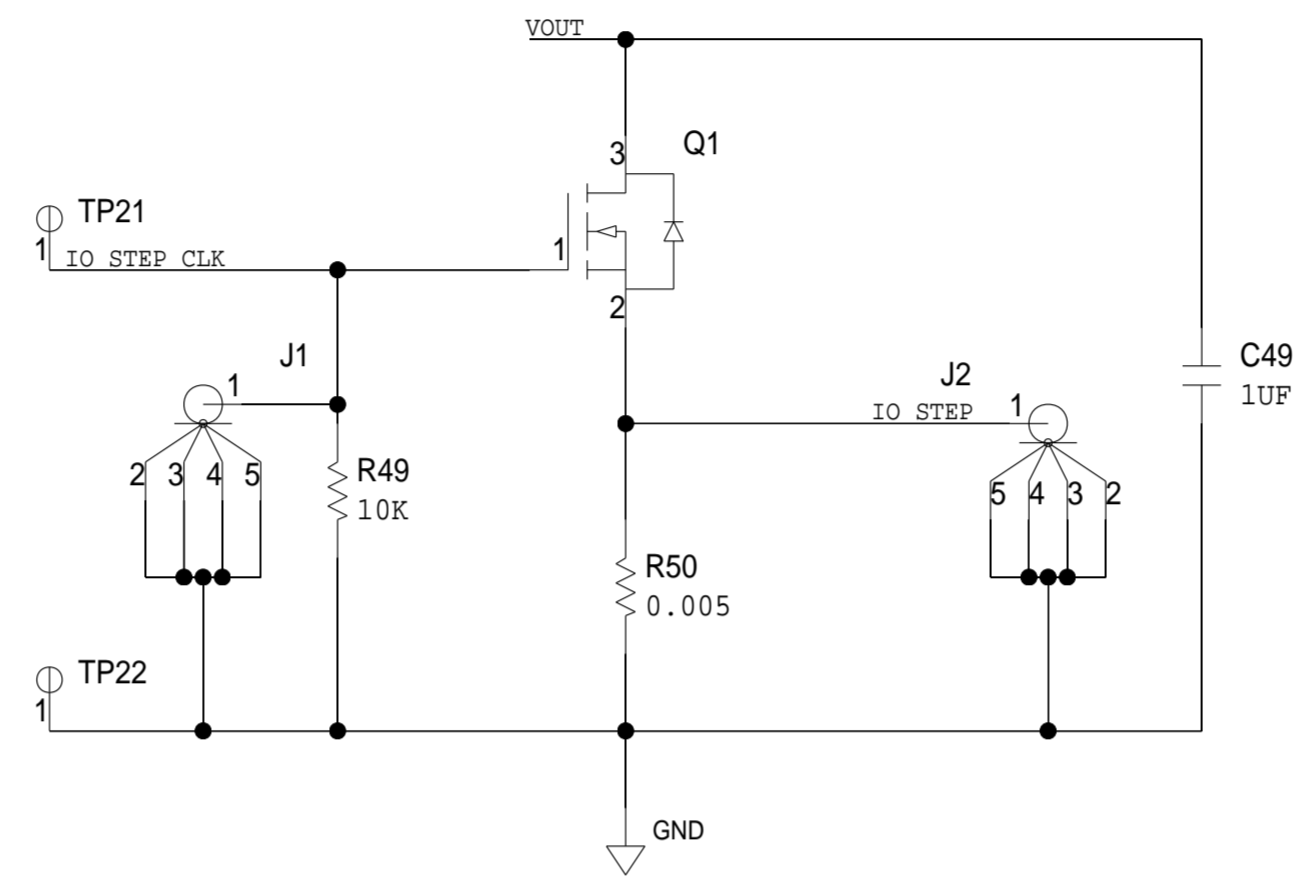
 	SCHEMATIC	
	HW TYPE : Customer Evaluation Z Product(s) : LTM4638 : N/A	
DESIGN VIEW <DESIGN_VIEW>	DRAWING NO. 02_072962	REV B
PTD ENGINEER R. DE GUIA	SIZE D	SCALE 1:1
SHEET 2 OF 3		

REVISIONS			
REV	DESCRIPTION	DATE	APPROVED

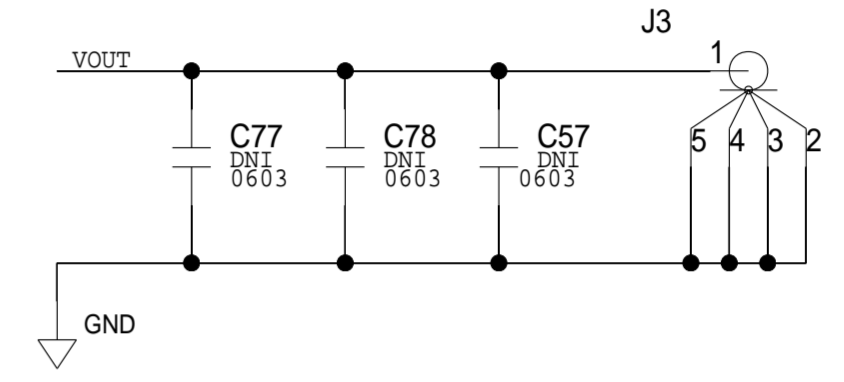
EXTERNAL CLOCK



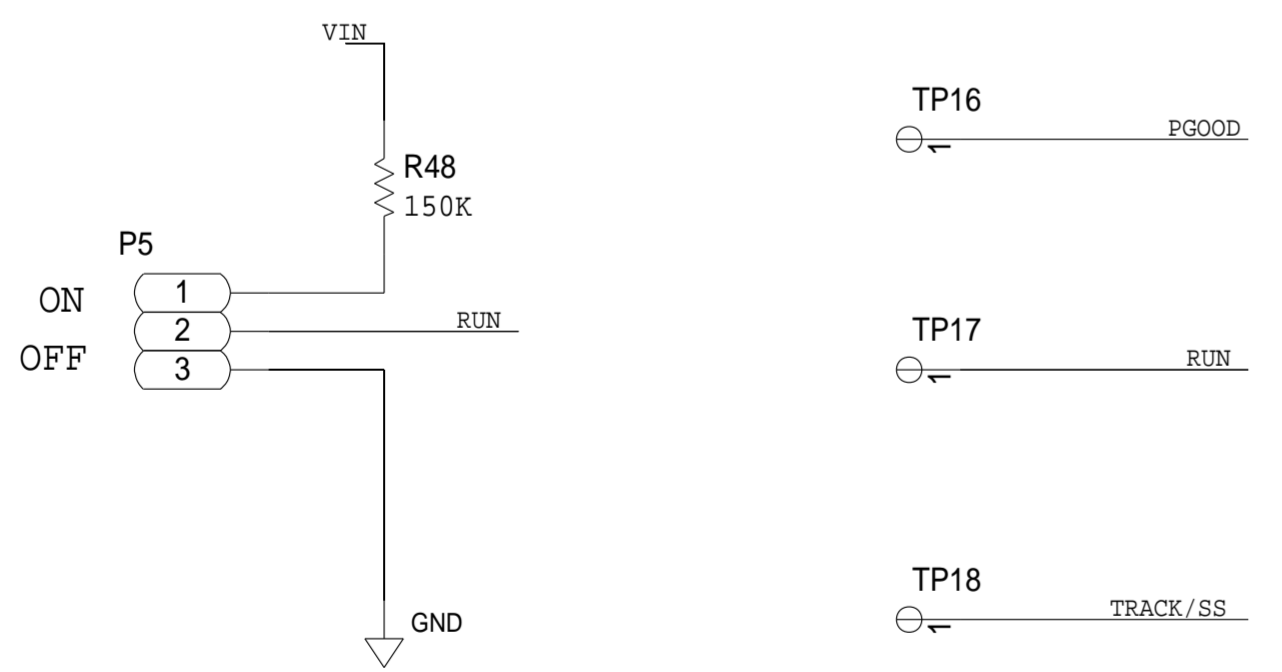
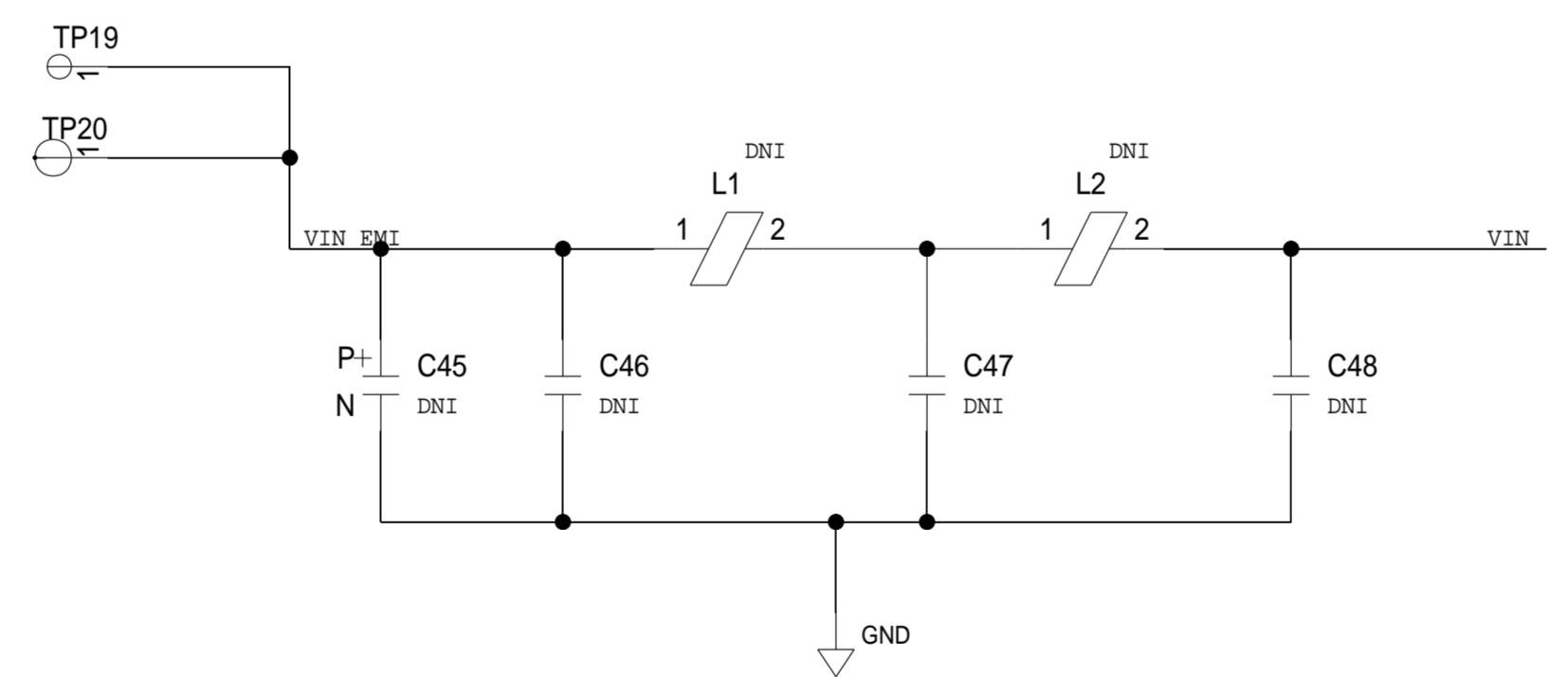
TRANSIENT GENERATOR



VOUT MEASUREMENT



EMI FILTER



	SCHEMATIC		
	HW TYPE : Customer Evaluation Z Product(s): LTM4638 : N/A		
DESIGN VIEW <DESIGN_VIEW>	DRAWING NO. 02_072962	REV B	
PTD ENGINEER R. DE GUIA	SIZE D	SCALE 1:1	SHEET 3 OF 3