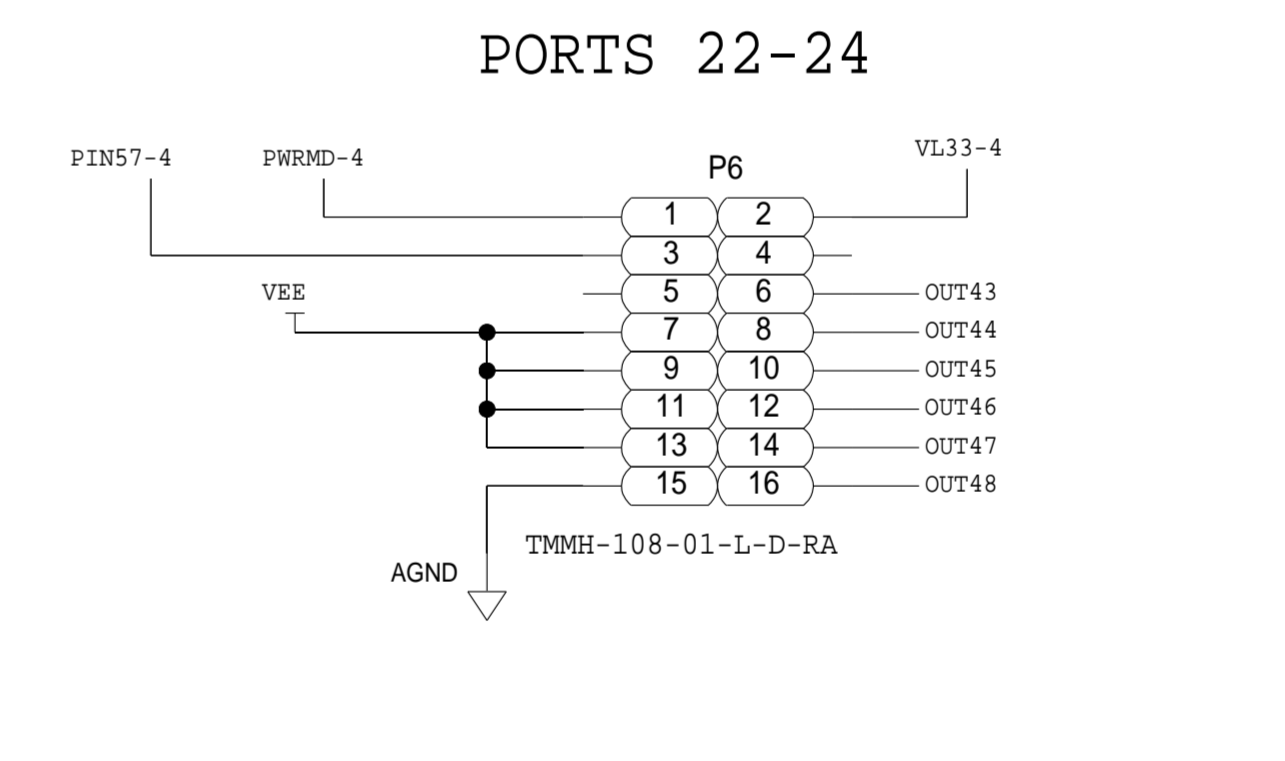
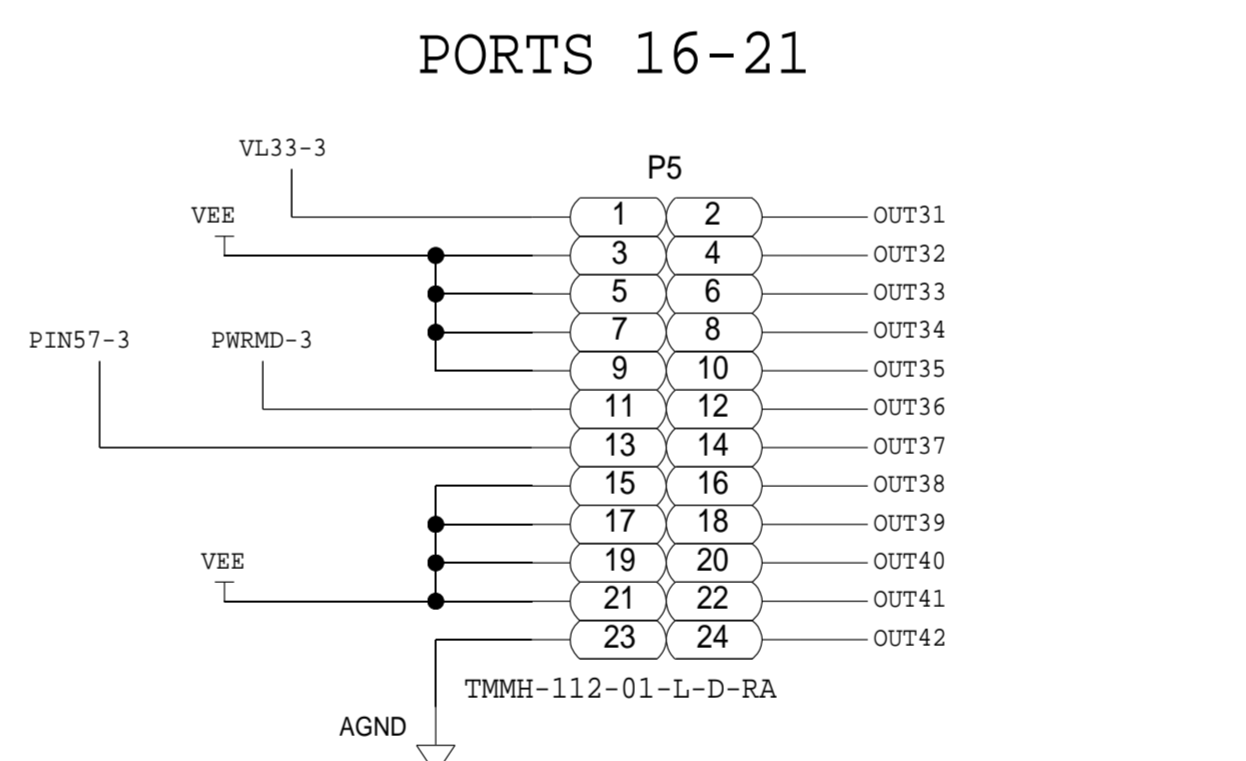
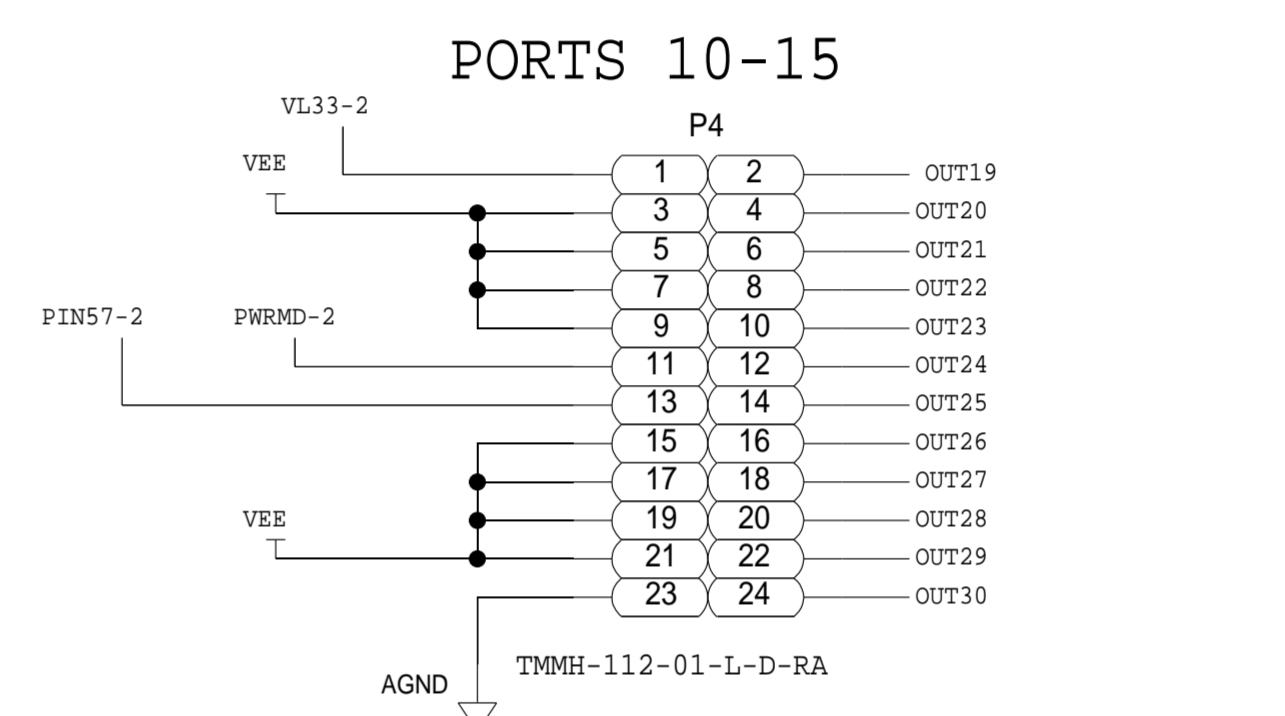
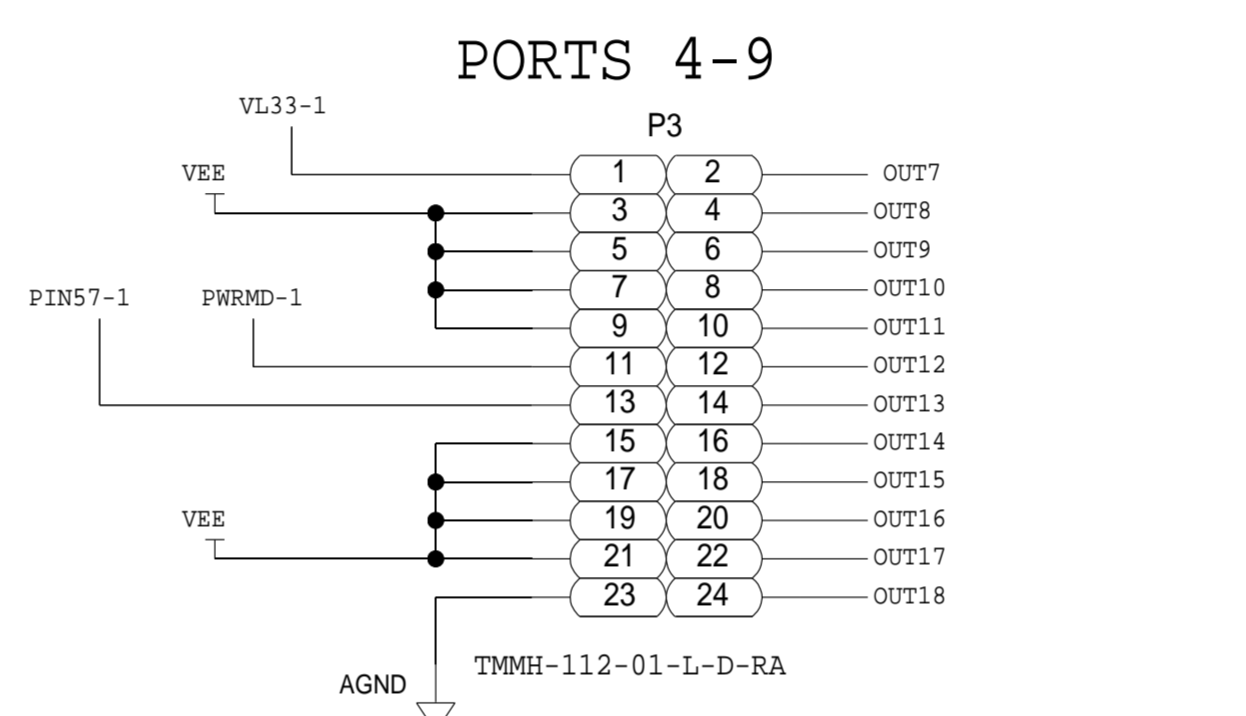
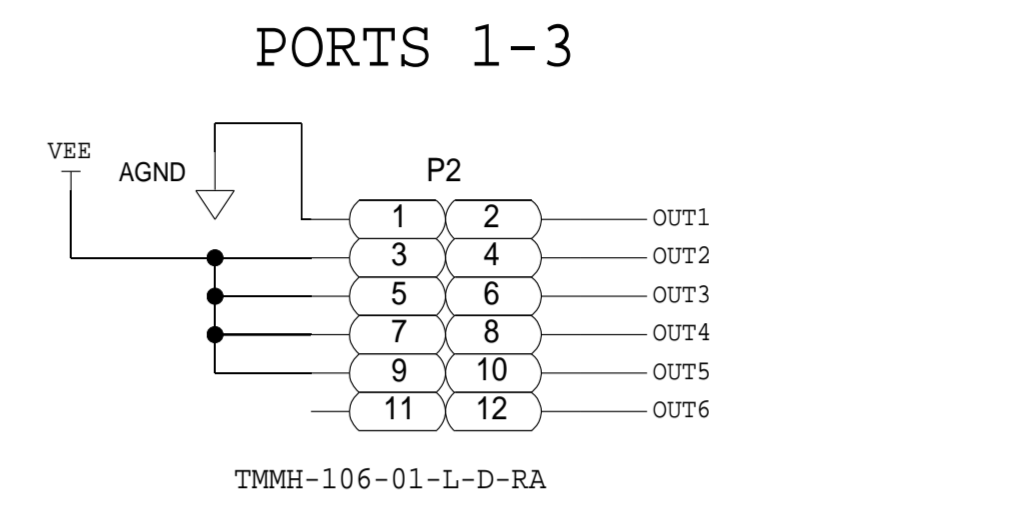
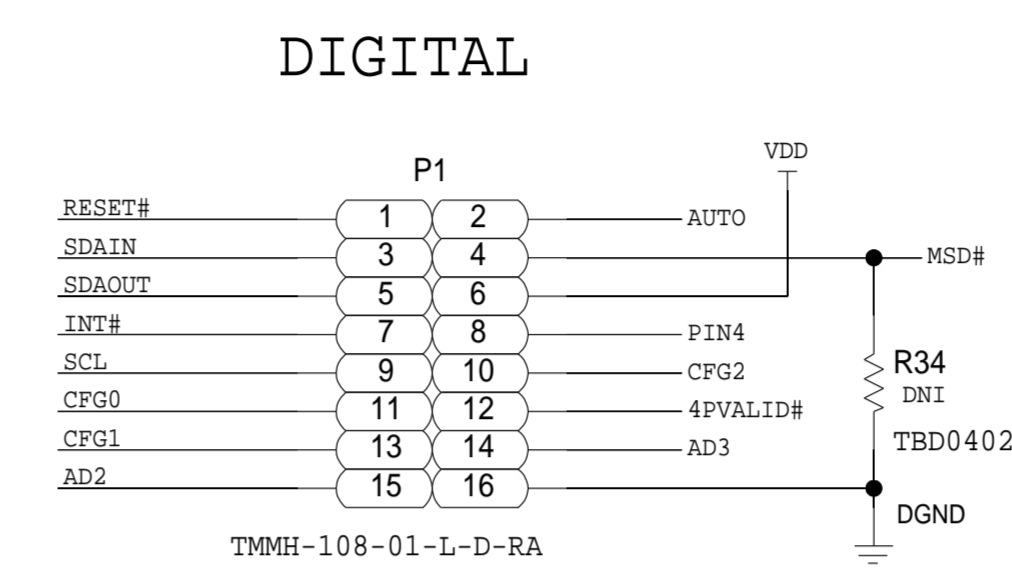
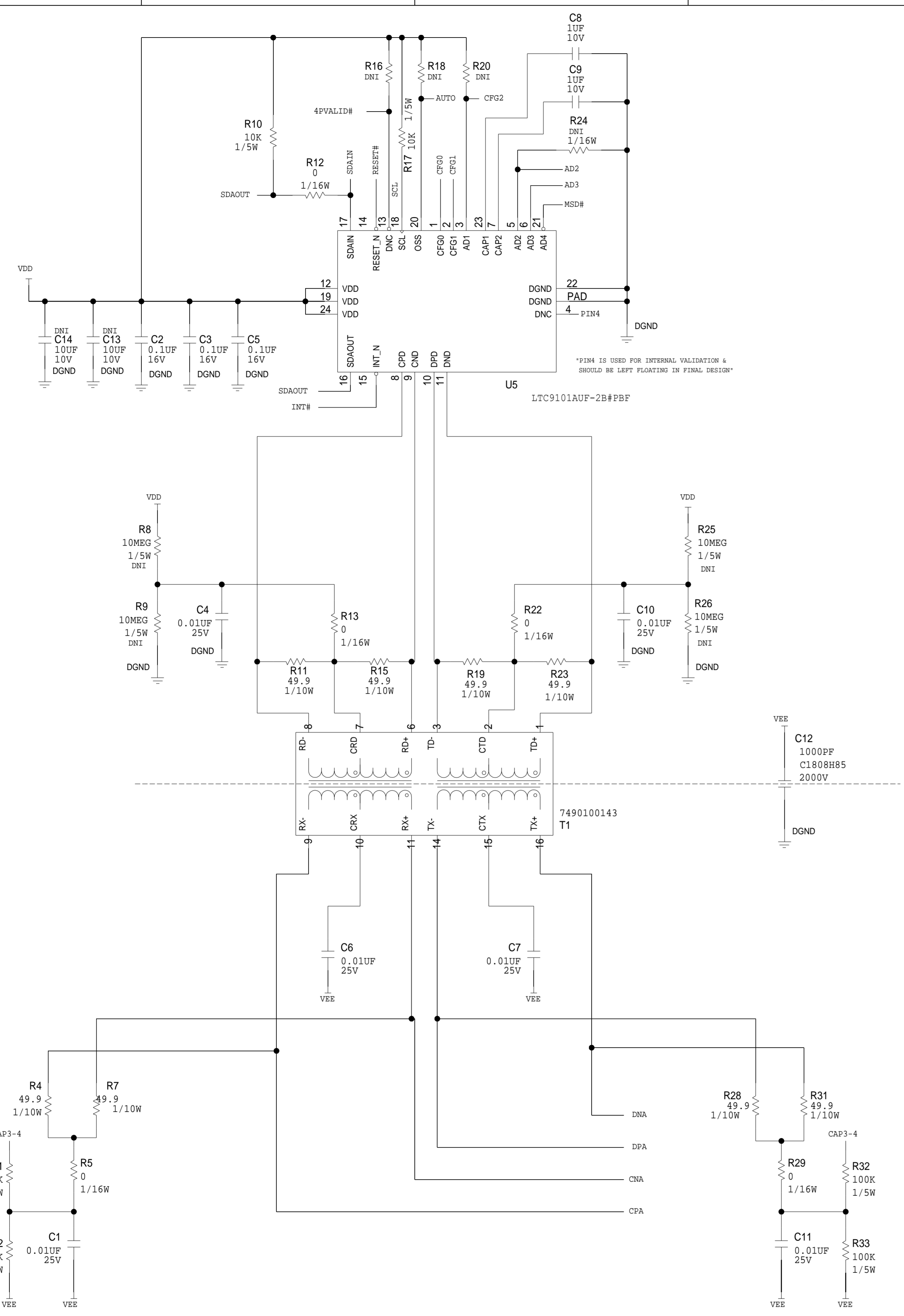


REVISIONS			
REV	DESCRIPTION	DATE	APPROVED



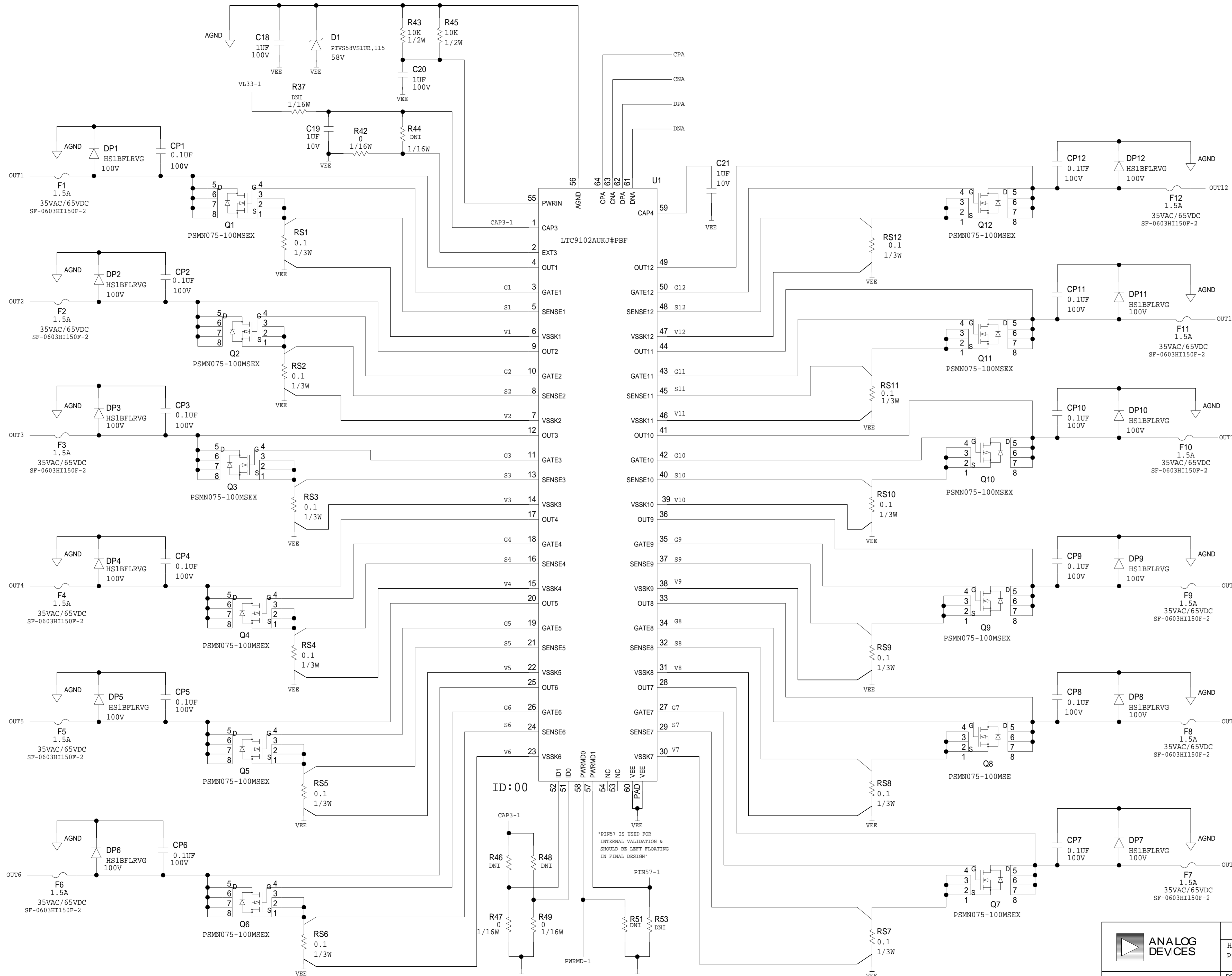
SCHEMATIC			
		HW TYPE : Customer Evaluation Z Product(s) : LTC9101-1/LTC9102 : ADI DEMO BOARD	
DESIGN VIEW <DESIGN_VIEW>	DRAWING NO. 02_059470	REV D	
PTD ENGINEER D. REYES	SIZE D	SCALE 1:1	SHEET 2 OF 6

D
C
B
A

D
C
B
A

8 7 6 5 4 3 2 1

REVISIONS			
REV	DESCRIPTION	DATE	APPROVED



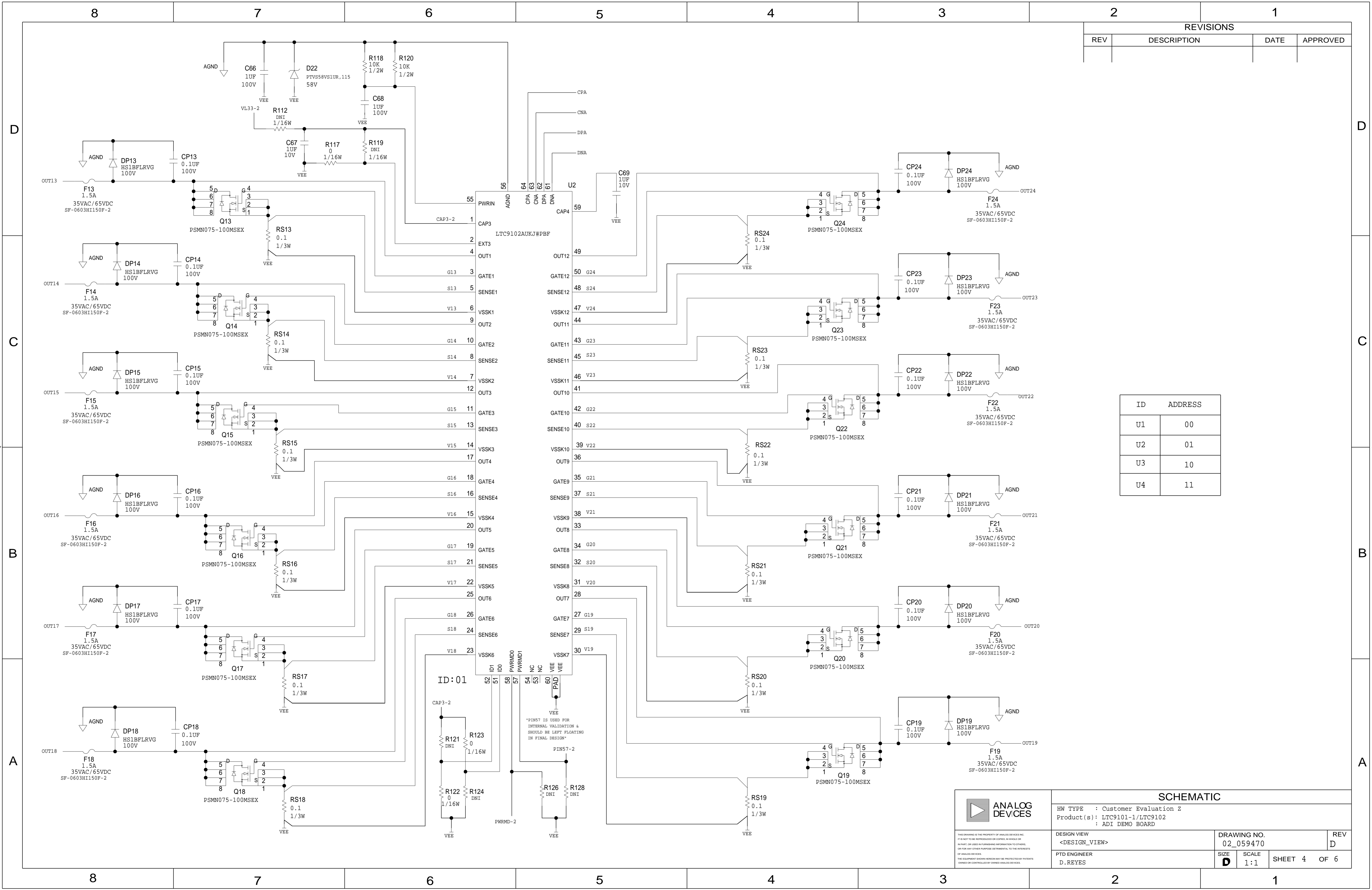
ID	ADDRESS
U1	00
U2	01
U3	10
U4	11

	SCHEMATIC		
	HW TYPE : Customer Evaluation Z Product(s) : LTC9101-1/LTC9102 : ADI DEMO BOARD		
DESIGN VIEW <DESIGN_VIEW>	DRAWING NO. 02_059470	REV D	
PTD ENGINEER D. REYES	SIZE D	SCALE 1:1	SHEET 3 OF 6

PINS7 IS USED FOR INTERNAL VALIDATION & SHOULD BE LEFT FLOATING IN FINAL DESIGN

ID: 00

REVISIONS			
REV	DESCRIPTION	DATE	APPROVED



ID	ADDRESS
U1	00
U2	01
U3	10
U4	11

ANALOG DEVICES

SCHMATIC

HW TYPE : Customer Evaluation Z
 Product(s) : LTC9101-1/LTC9102
 : ADI DEMO BOARD

DESIGN VIEW : <DESIGN_VIEW>

PTD ENGINEER : D. REYES

DRAWING NO. : 02_059470

REV : D

SIZE : D

SCALE : 1:1

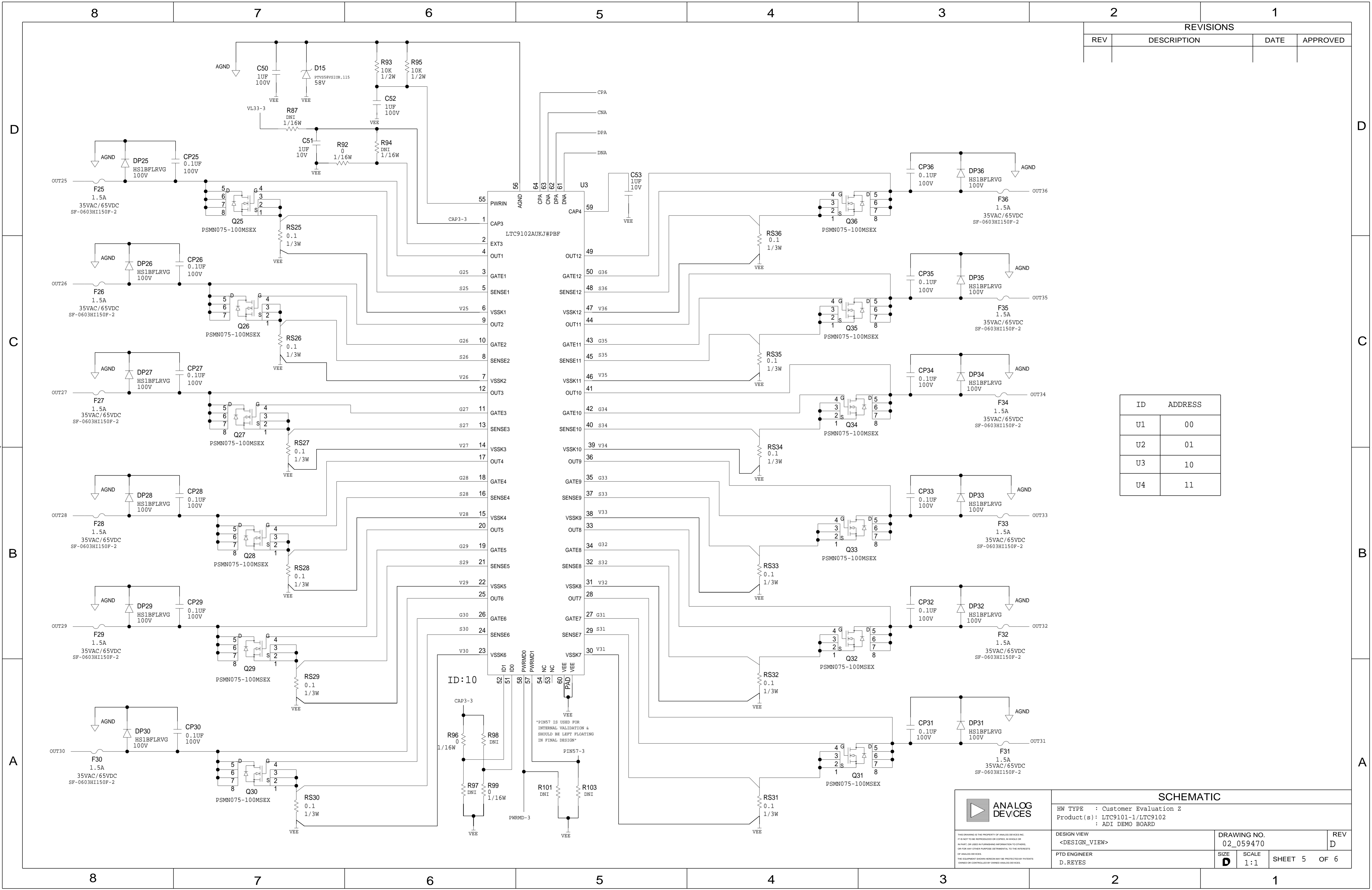
SHEET 4 OF 6

THIS DRAWING IS THE PROPERTY OF ANALOG DEVICES INC. IT IS NOT TO BE REPRODUCED OR COPIED, IN WHOLE OR IN PART, OR USED IN FURNISHING INFORMATION TO OTHERS, OR FOR ANY OTHER PURPOSE DETRIMENTAL TO THE INTERESTS OF ANALOG DEVICES. THE EQUIPMENT SHOWN HEREIN MAY BE PROTECTED BY PATENTS OWNED OR CONTROLLED BY ANALOG DEVICES.

PINS7 IS USED FOR INTERNAL VALIDATION & SHOULD BE LEFT FLOATING IN FINAL DESIGN

ID:01

REVISIONS			
REV	DESCRIPTION	DATE	APPROVED



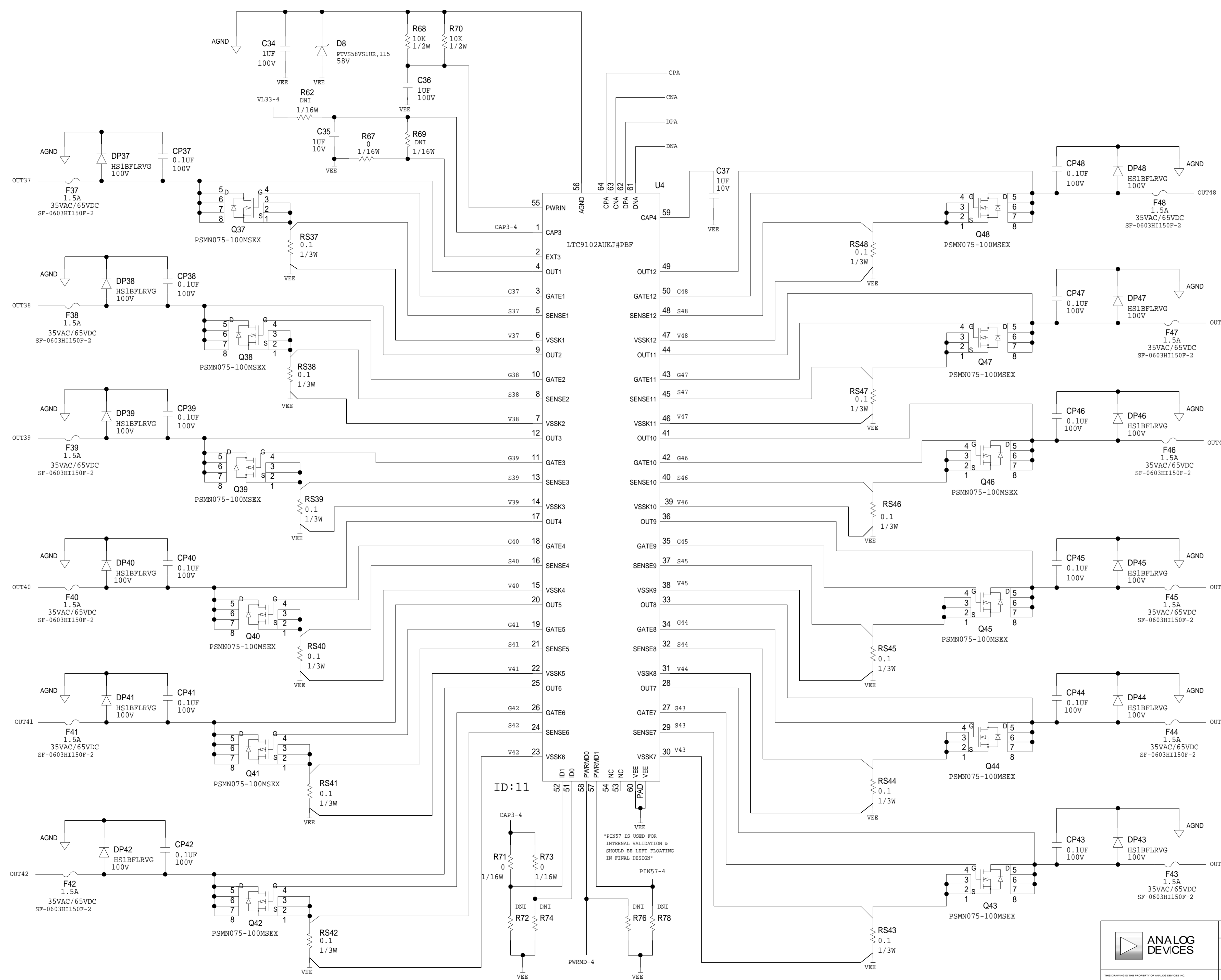
ID	ADDRESS
U1	00
U2	01
U3	10
U4	11

	SCHEMATIC		
	HW TYPE : Customer Evaluation Z Product(s) : LTC9101-1/LTC9102 : ADI DEMO BOARD		
DESIGN VIEW <DESIGN_VIEW>	DRAWING NO. 02_059470	REV D	
PTD ENGINEER D. REYES	SIZE D	SCALE 1:1	SHEET 5 OF 6

ID:10

PIN57 IS USED FOR INTERNAL VALIDATION & SHOULD BE LEFT FLOATING IN FINAL DESIGN

REVISIONS			
REV	DESCRIPTION	DATE	APPROVED



ID	ADDRESS
U1	00
U2	01
U3	10
U4	11

	SCHEMATIC		
	HW TYPE : Customer Evaluation Z Product(s) : LTC9101-1/LTC9102 : ADI DEMO BOARD		
DESIGN VIEW <DESIGN_VIEW>	DRAWING NO. 02_059470	REV D	
PTD ENGINEER D. REYES	SIZE D	SCALE 1:1	SHEET 6 OF 6

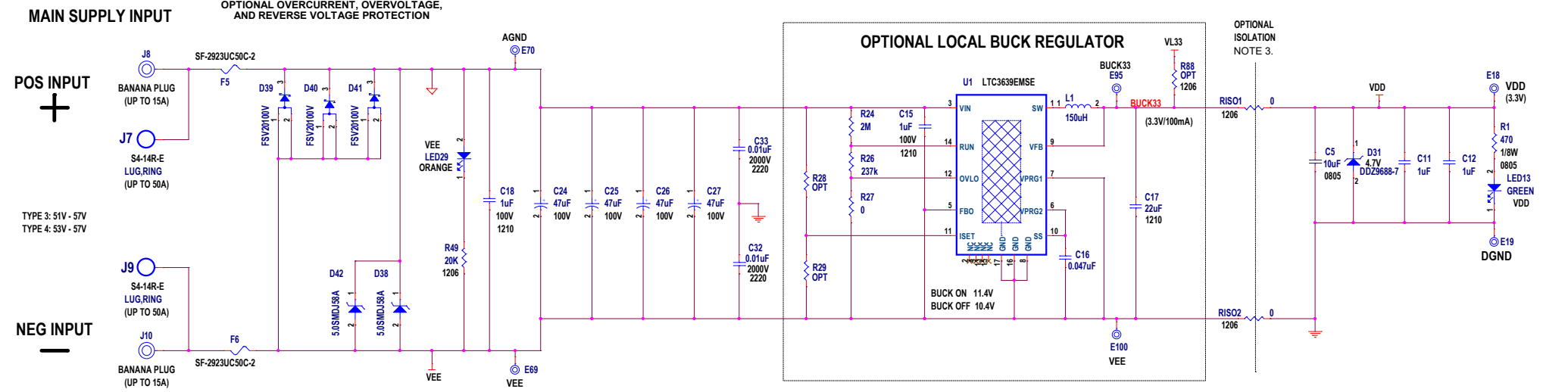
THIS DRAWING IS THE PROPERTY OF ANALOG DEVICES INC. IT IS NOT TO BE REPRODUCED OR COPIED, IN WHOLE OR IN PART, OR USED IN ANY MANNER WITHOUT THE WRITTEN PERMISSION OF ANALOG DEVICES. THE EQUIPMENT SHOWN HEREIN MAY BE PROTECTED BY PATENTS OWNED OR CONTROLLED BY ANALOG DEVICES.

PIN57 IS USED FOR INTERNAL VALIDATION & SHOULD BE LEFT FLOATING IN FINAL DESIGN

ID:11

REVISION HISTORY				
ECO	REV	DESCRIPTION	APPROVED	DATE
	3			

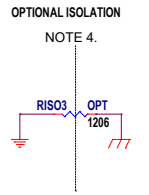
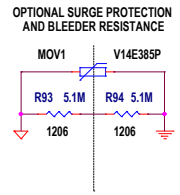
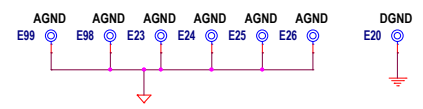
POWER SUPPLY



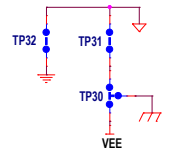
POS INPUT
+

TYPE 3: 51V - 57V
TYPE 4: 53V - 57V

NEG INPUT
-



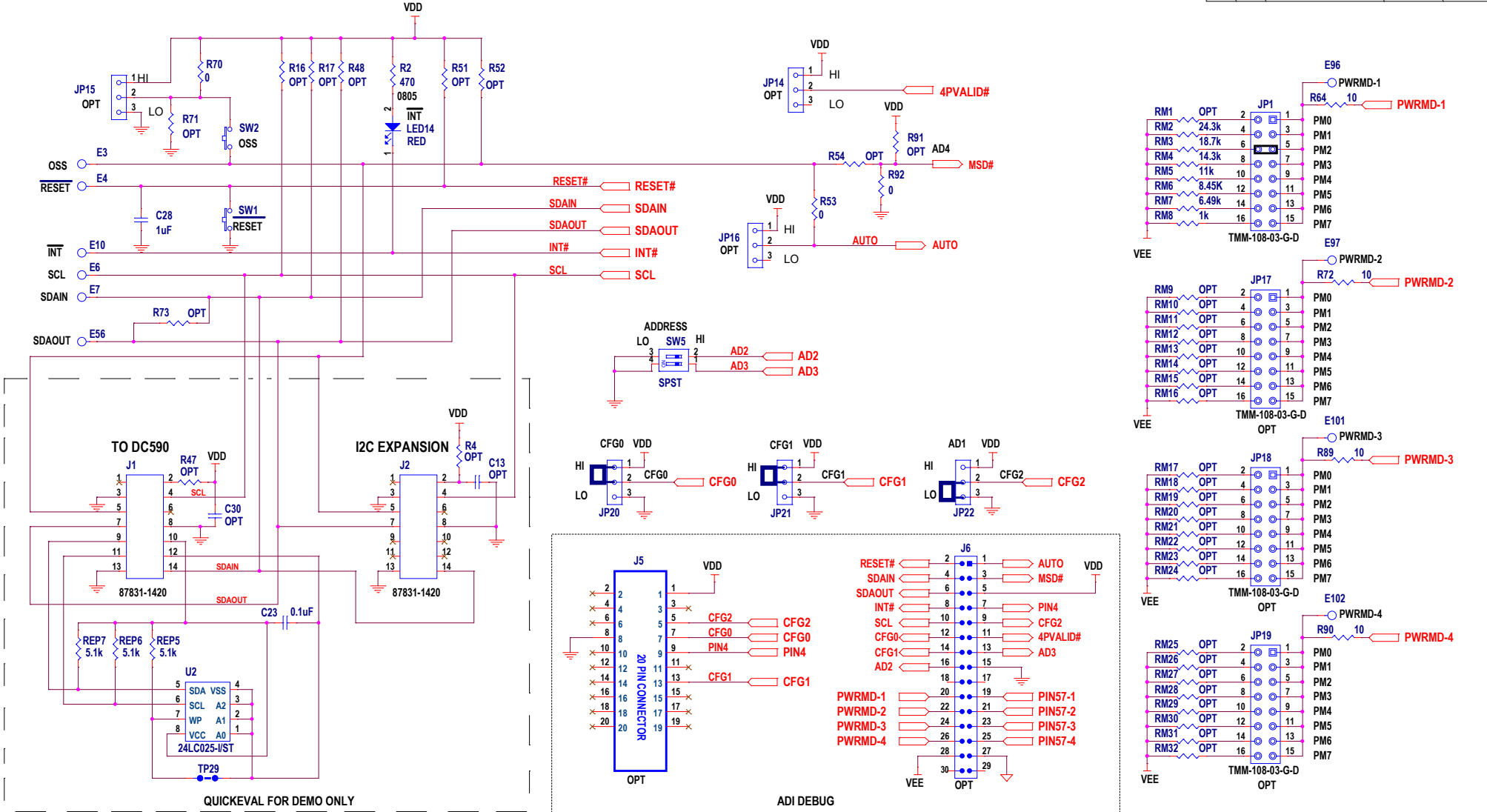
- NOTE: UNLESS OTHERWISE SPECIFIED**
1. ALL RESISTORS AND CAPACITORS ARE 0603.
 2. INSTALL SHUNTS AS SHOWN.
 3. REMOVE RESISTORS TO ISOLATE DIGITAL AND ANALOG DOMAINS
 4. POPULATE RESISTOR TO CONNECT DIGITAL GROUND TO CHASSIS



<p>CUSTOMER NOTICE</p> <p>ANALOG DEVICES HAS MADE A BEST EFFORT TO DESIGN A CIRCUIT THAT MEETS CUSTOMER-SUPPLIED SPECIFICATIONS; HOWEVER, IT REMAINS THE CUSTOMER'S RESPONSIBILITY TO DESIGN, PROVE, AND VALIDATE OPERATIONS IN THE ACTUAL APPLICATION. COMPONENT SUBSTITUTION AND PRACTICE CIRCUIT BOARD LAYOUT MAY SIGNIFICANTLY AFFECT CIRCUIT PERFORMANCE OR RELIABILITY. CONTACT ANALOG DEVICES APPLICATIONS ENGINEERING FOR ASSISTANCE.</p> <p>THIS CIRCUIT IS PROPRIETARY TO ANALOG DEVICES AND SUPPLIED FOR USE WITH ANALOG DEVICES PARTS.</p>	<p>APPROVALS</p> <table border="1"> <tr> <td>PCB DES.</td> <td>KEJLM</td> </tr> <tr> <td>APP ENG.</td> <td>ERIC.H</td> </tr> </table>	PCB DES.	KEJLM	APP ENG.	ERIC.H	<p>ANALOG DEVICES POWER BY LINEAR</p> <p>www.analog.com Phone: (408)432-1900</p>
	PCB DES.	KEJLM				
APP ENG.	ERIC.H					
<p>TITLE: SCHEMATIC</p> <p>24-PORT IEEE 802.3M PSE MOTHER BOARD</p> <p>IC NO. LTC3639EMSE#TRPBF SCHEMATIC NO. AND REVISION: 710-DC3017A-B_REV03</p> <p>SIZE: N/A DATE: SHEET 1 OF 11</p>						

CONFIGURATIONS

REVISION HISTORY				
ECO	REV	DESCRIPTION	APPROVED	DATE
	3			

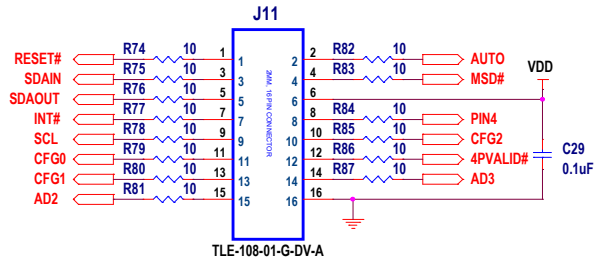


NOTE: UNLESS OTHERWISE SPECIFIED
 1. ALL RESISTORS AND CAPACITORS ARE 0603.
 2. INSTALL SHUNTS AS SHOWN.

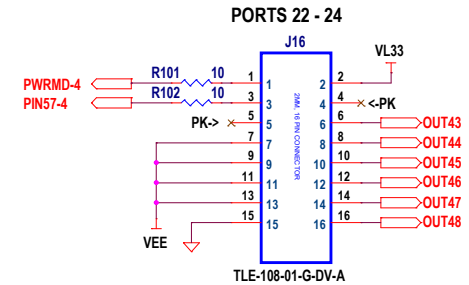
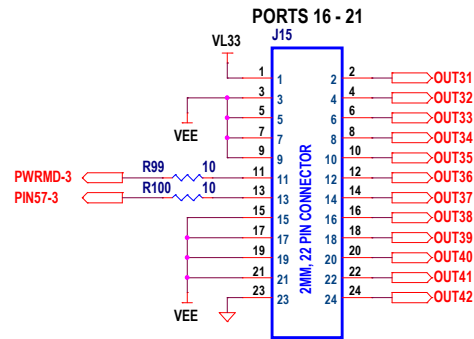
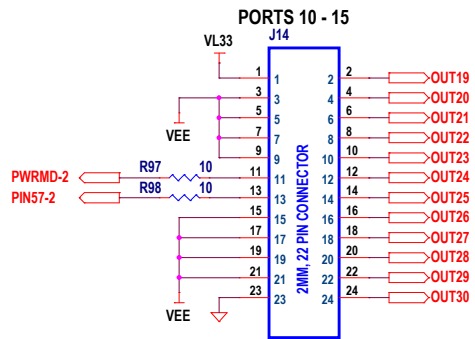
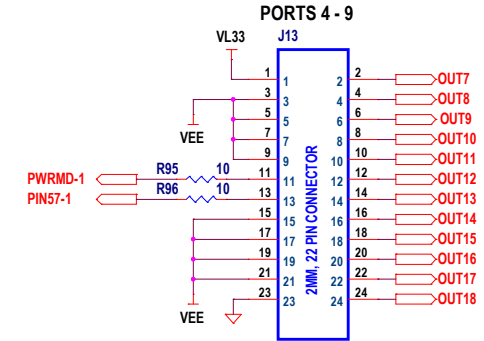
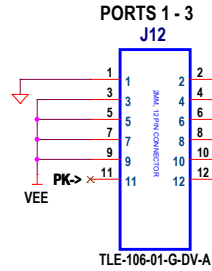
CUSTOMER NOTICE		APPROVALS		ANALOG DEVICES		POWER BY LINEAR	
ANALOG DEVICES HAS MADE A BEST EFFORT TO DESIGN A CIRCUIT THAT MEETS CUSTOMER-SUPPLIED SPECIFICATIONS; HOWEVER, IT REMAINS THE CUSTOMER'S RESPONSIBILITY TO VERIFY PROPER AND RELIABLE OPERATION IN THE ACTUAL APPLICATION. COMPONENT SUBSTITUTION AND PRINTED CIRCUIT BOARD LAYOUT MAY SIGNIFICANTLY AFFECT CIRCUIT PERFORMANCE OR RELIABILITY. CONTACT ANALOG DEVICES APPLICATIONS ENGINEERING FOR ASSISTANCE.		PCB DES.	KENM	www.analog.com		Phone: (408)432-1900	
THIS CIRCUIT IS PROPRIETARY TO ANALOG DEVICES AND SUPPLIED FOR USE WITH ANALOG DEVICES PARTS.		APP ENG.	ERIC.H				
TITLE: SCHEMATIC				24-PORT IEEE 802.3bt PSE MOTHER BOARD			
IC NO. LTC3639EMSE/ITRPF		SKU NO. DC3017A		SCHEMATIC NO. AND REVISION:		710-DC3017A-B_REV03	
SIZE: N/A		DATE:		SHEET		2 OF 11	

REVISION HISTORY				
ECO	REV	DESCRIPTION	APPROVED	DATE
	3			

DIGITAL CONNECTIONS



ANALOG CONNECTIONS



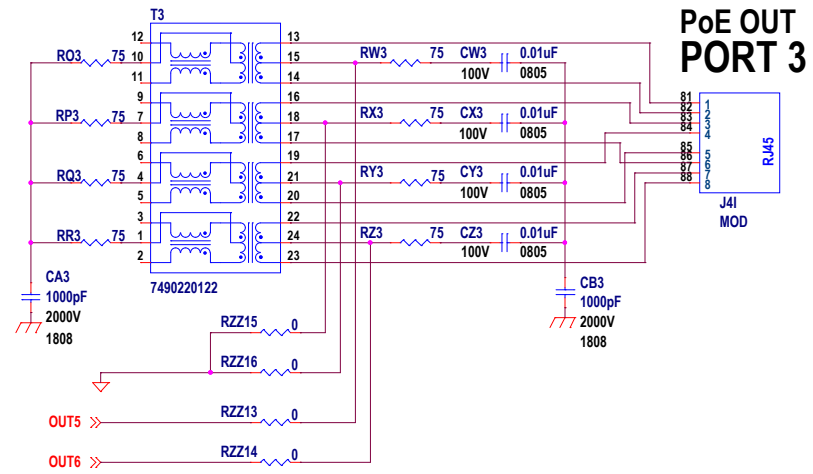
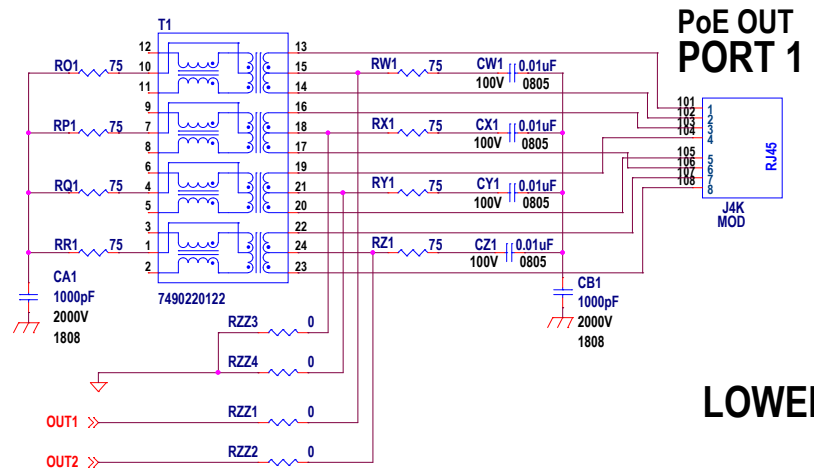
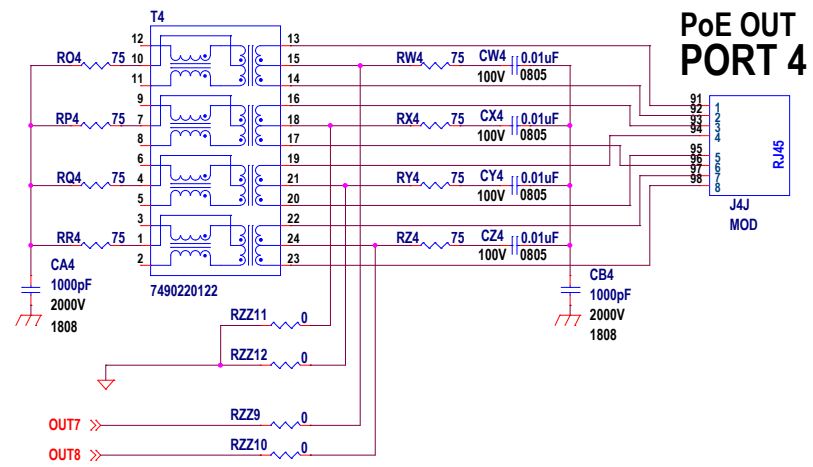
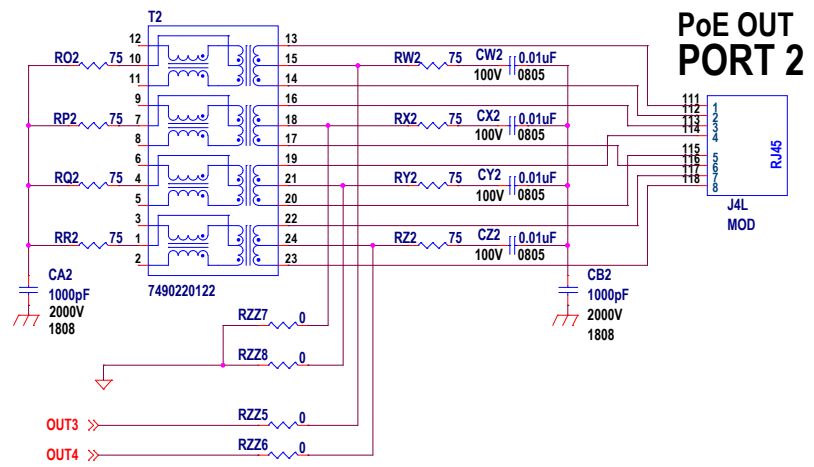
NOTE: UNLESS OTHERWISE SPECIFIED
 1. ALL RESISTORS AND CAPACITORS ARE 0603.
 2. INSTALL SHUNTS AS SHOWN.

CUSTOMER NOTICE		APPROVALS		ANALOG DEVICES		POWER BY LINEAR	
<small>ANALOG DEVICES HAS MADE A BEST EFFORT TO DESIGN A CIRCUIT THAT MEETS CUSTOMER-SUPPLIED SPECIFICATIONS; HOWEVER, IT REMAINS THE CUSTOMER'S RESPONSIBILITY TO VERIFY PROPER AND RELIABLE OPERATION IN THE ACTUAL APPLICATION. COMPONENT SUBSTITUTION AND PRINTED CIRCUIT BOARD LAYOUT MAY SIGNIFICANTLY AFFECT CIRCUIT PERFORMANCE OR RELIABILITY. CONTACT ANALOG DEVICES APPLICATIONS ENGINEERING FOR ASSISTANCE.</small>		PCB DES.	KEN.M	www.analog.com		Phone: (408)432-1900	
		APP ENG.	ERIC.H				
<small>THIS CIRCUIT IS PROPRIETARY TO ANALOG DEVICES AND SUPPLIED FOR USE WITH ANALOG DEVICES PARTS.</small>		TITLE: SCHEMATIC		24-PORT IEEE 802.3bt PSE MOTHER BOARD			
		IC NO.	LTC3639EMSE#TRPBF	SCHEMATIC NO. AND REVISION:		710-DC3017A-B_REV03	
SIZE: N/A		DATE:		SHEET 3 OF 11			

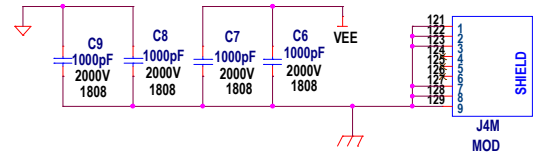
REVISION HISTORY				
ECO	REV	DESCRIPTION	APPROVED	DATE
	3			

PORTS 1 - 4

UPPER ROW





LOWER ROW



NOTE: UNLESS OTHERWISE SPECIFIED
 1. ALL RESISTORS AND CAPACITORS ARE 0603.
 2. INSTALL SHUNTS AS SHOWN.

CUSTOMER NOTICE
 ANALOG DEVICES HAS MADE A BEST EFFORT TO DESIGN A CIRCUIT THAT MEETS CUSTOMER-SUPPLIED SPECIFICATIONS; HOWEVER, IT REMAINS THE CUSTOMER'S RESPONSIBILITY TO VERIFY PROPER AND RELIABLE OPERATION IN THE ACTUAL APPLICATION. COMPONENT SUBSTITUTION AND PRINTED CIRCUIT BOARD LAYOUT MAY SIGNIFICANTLY AFFECT CIRCUIT PERFORMANCE OR RELIABILITY. CONTACT ANALOG DEVICES APPLICATIONS ENGINEERING FOR ASSISTANCE.

APPROVALS	
PCB DES.	KEN.M
APP ENG.	ERIC.H

www.analog.com Phone: (408)432-1900

TITLE: SCHEMATIC
 24-PORT IEEE 802.3bt PSE MOTHER BOARD

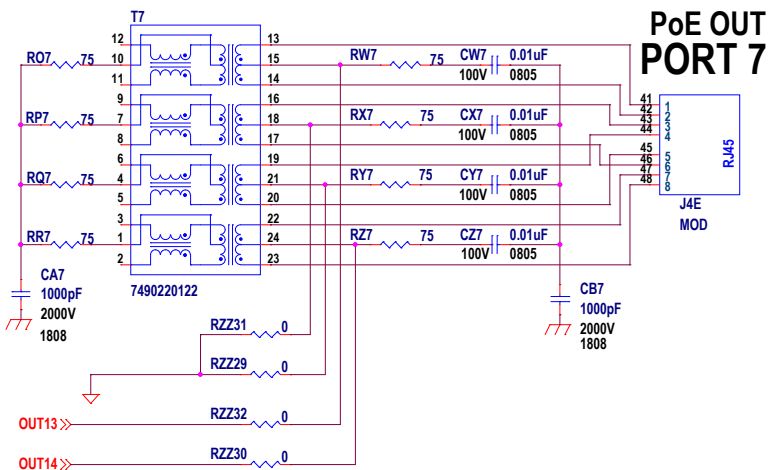
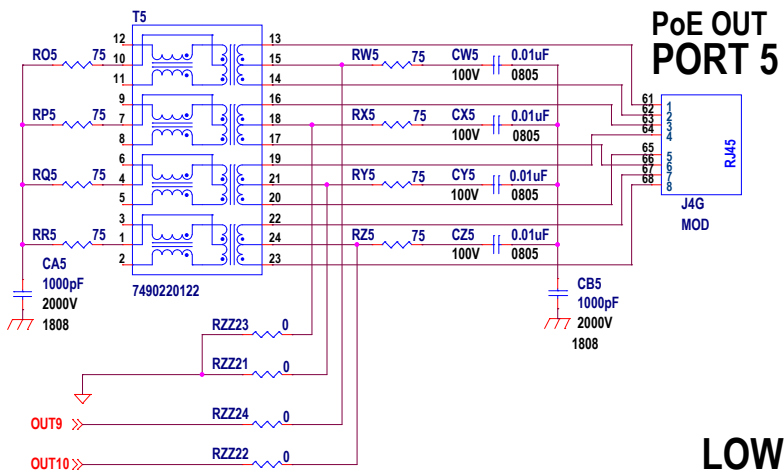
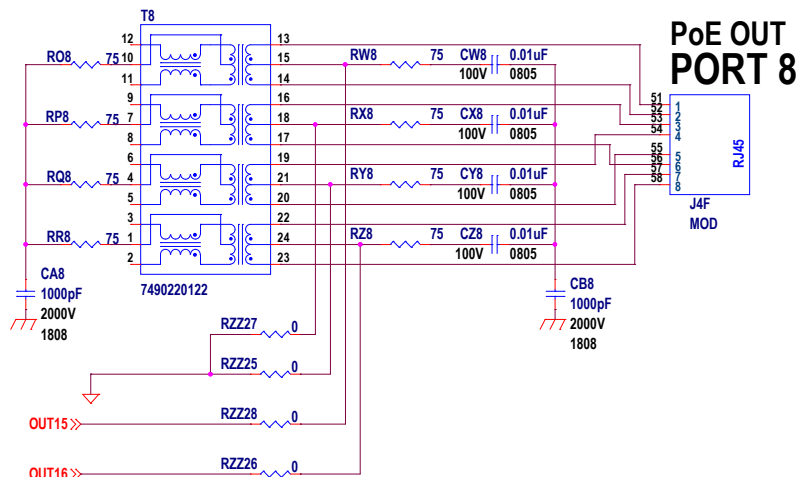
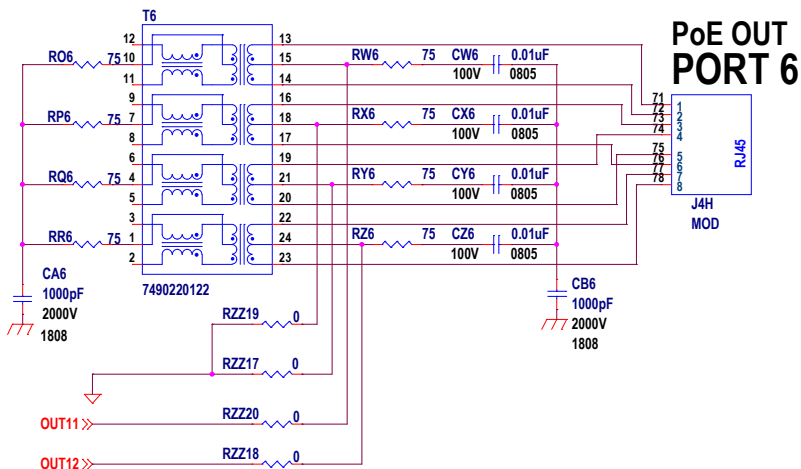
IC NO. LTC3639EMSE#TRPBF SCHEMATIC NO. AND REVISION:
 SKU NO. DC3017A 710-DC3017A-B_REV03

THIS CIRCUIT IS PROPRIETARY TO ANALOG DEVICES AND SUPPLIED FOR USE WITH ANALOG DEVICES PARTS.

SIZE: N/A DATE: SHEET 4 OF 11

REVISION HISTORY				
ECO	REV	DESCRIPTION	APPROVED	DATE
	3			

UPPER ROW



LOWER ROW

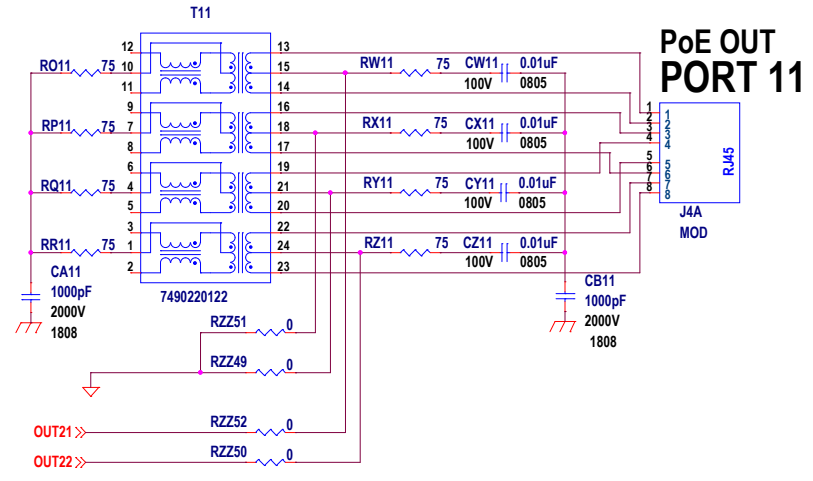
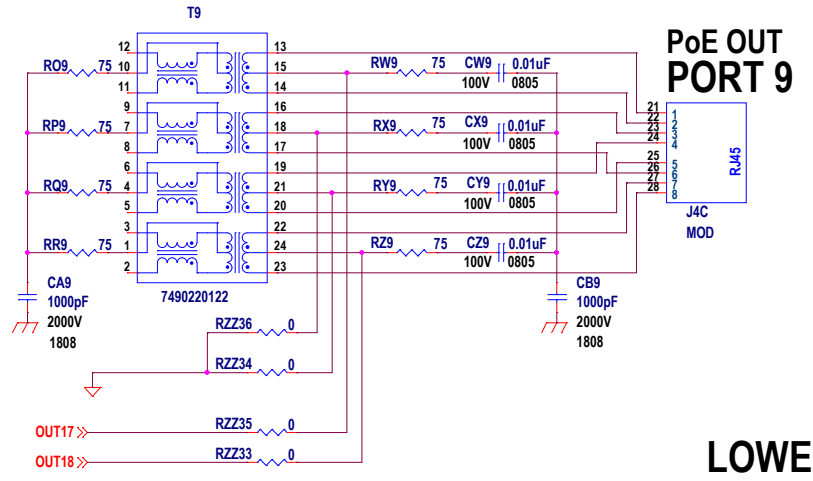
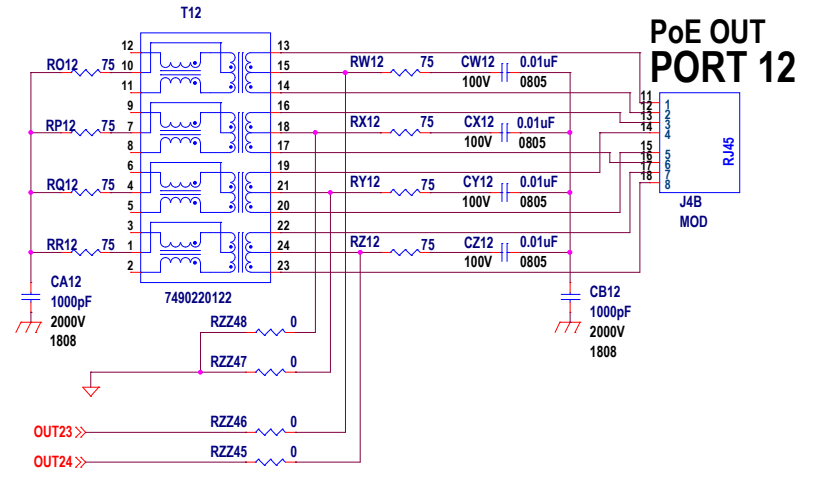
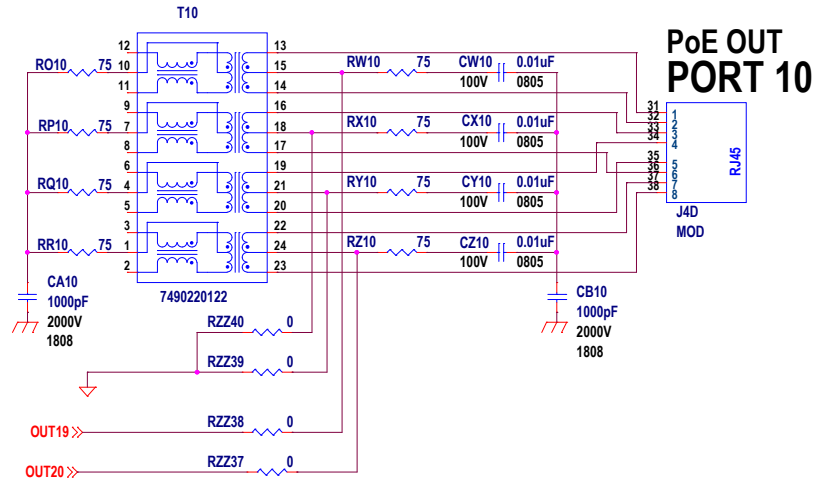
NOTE: UNLESS OTHERWISE SPECIFIED

1. ALL RESISTORS AND CAPACITORS ARE 0603.
2. INSTALL SHUNTS AS SHOWN.

CUSTOMER NOTICE		APPROVALS		ANALOG DEVICES		POWER BY LINEAR	
ANALOG DEVICES HAS MADE A BEST EFFORT TO DESIGN A CIRCUIT THAT MEETS CUSTOMER-SUPPLIED SPECIFICATIONS; HOWEVER, IT REMAINS THE CUSTOMER'S RESPONSIBILITY TO VERIFY PROPER AND RELIABLE OPERATION IN THE ACTUAL APPLICATION. COMPONENT SUBSTITUTION AND PRINTED CIRCUIT BOARD LAYOUT MAY SIGNIFICANTLY AFFECT CIRCUIT PERFORMANCE OR RELIABILITY. CONTACT ANALOG DEVICES APPLICATIONS ENGINEERING FOR ASSISTANCE.		PCB DES.	KEN.M	www.analog.com		Phone: (408)432-1900	
		APP ENG.	ERIC.H				
THIS CIRCUIT IS PROPRIETARY TO ANALOG DEVICES AND SUPPLIED FOR USE WITH ANALOG DEVICES PARTS.				TITLE: SCHEMATIC		24-PORT IEEE802.3bt PSE MOTHER BOARD	
				IC NO. LTC3695EMSE#TRPBF		SCHEMATIC NO. AND REVISION:	
				SKU NO. DC3017A		710-DC3017A-B_REV03	
				SIZE: N/A		DATE:	
						SHEET 5 OF 11	

UPPER ROW

REVISION HISTORY				
ECO	REV	DESCRIPTION	APPROVED	DATE
	3			



LOWER ROW

NOTE: UNLESS OTHERWISE SPECIFIED

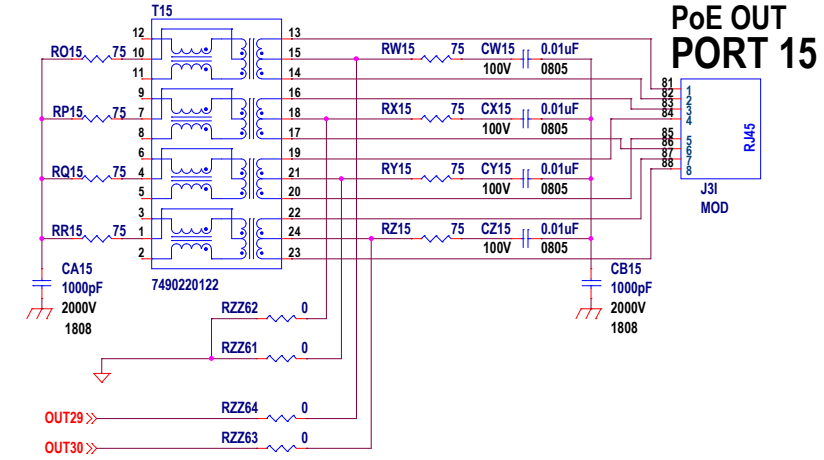
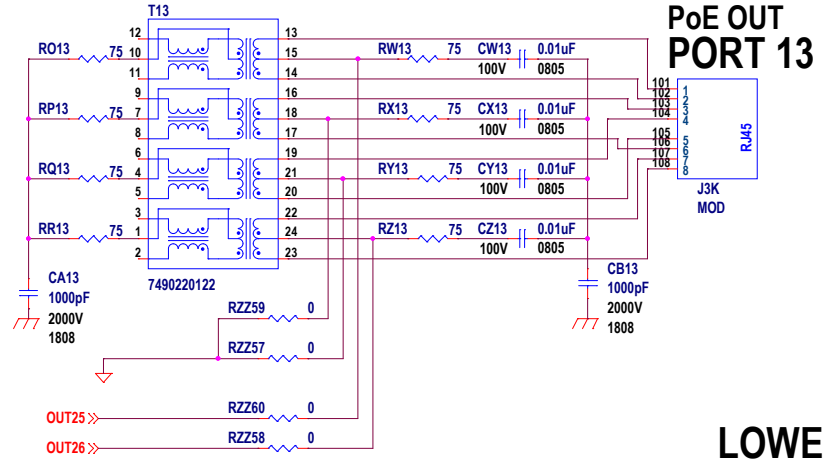
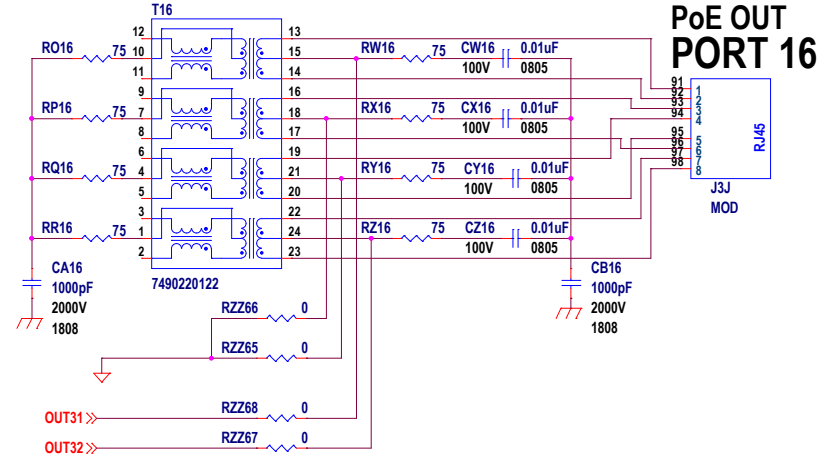
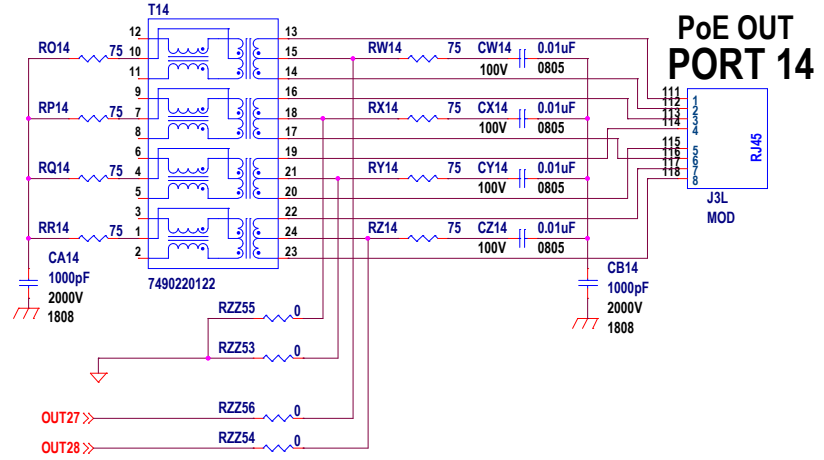
1. ALL RESISTORS AND CAPACITORS ARE 0603.
2. INSTALL SHUNTS AS SHOWN.

CUSTOMER NOTICE		APPROVALS		ANALOG DEVICES		POWER BY LINEAR	
ANALOG DEVICES HAS MADE A BEST EFFORT TO DESIGN A CIRCUIT THAT MEETS CUSTOMER-SUPPLIED SPECIFICATIONS; HOWEVER, IT REMAINS THE CUSTOMER'S RESPONSIBILITY TO VERIFY PROPER AND RELIABLE OPERATION IN THE ACTUAL APPLICATION. COMPONENT SUBSTITUTION AND PRINTED CIRCUIT BOARD LAYOUT MAY SIGNIFICANTLY AFFECT CIRCUIT PERFORMANCE OR RELIABILITY. CONTACT ANALOG DEVICES APPLICATIONS ENGINEERING FOR ASSISTANCE.		PCB DES.	KENM	www.analog.com		Phone: (408)432-1900	
		APP ENG.	ERIC.H				
THIS CIRCUIT IS PROPRIETARY TO ANALOG DEVICES AND SUPPLIED FOR USE WITH ANALOG DEVICES PARTS.		TITLE: SCHEMATIC		24-PORT IEEE802.3bt PSE MOTHER BOARD			
		IC NO.	LTC3639EMSE#TRPBF	SCHEMATIC NO. AND REVISION:		710-DC3017A-B_REV03	
SKU NO. DC3017A		SIZE: N/A	DATE:	SHEET 6 OF 11			

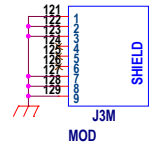
REVISION HISTORY				
ECO	REV	DESCRIPTION	APPROVED	DATE
	3			

PORTS 13 - 16

UPPER ROW



LOWER ROW

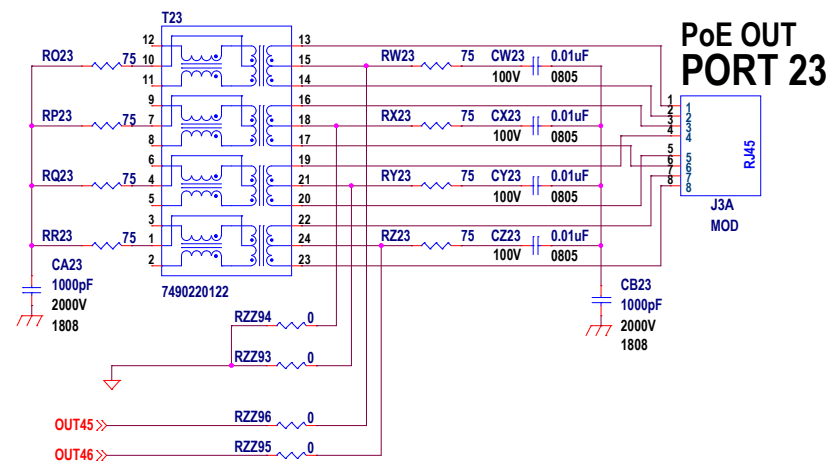
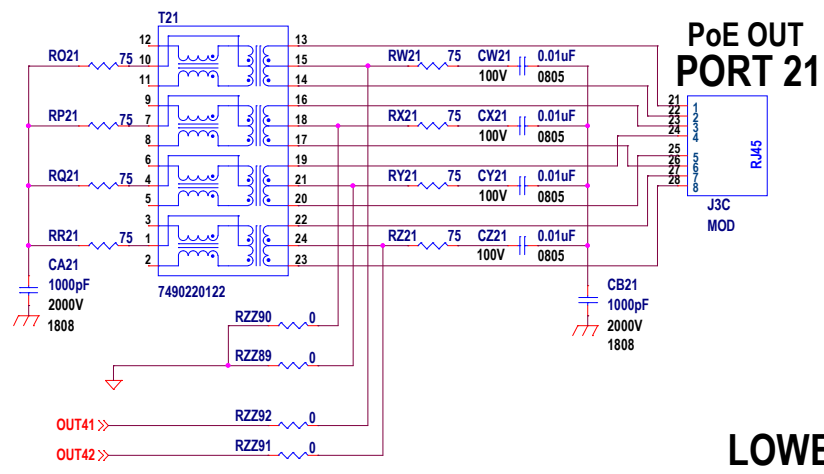
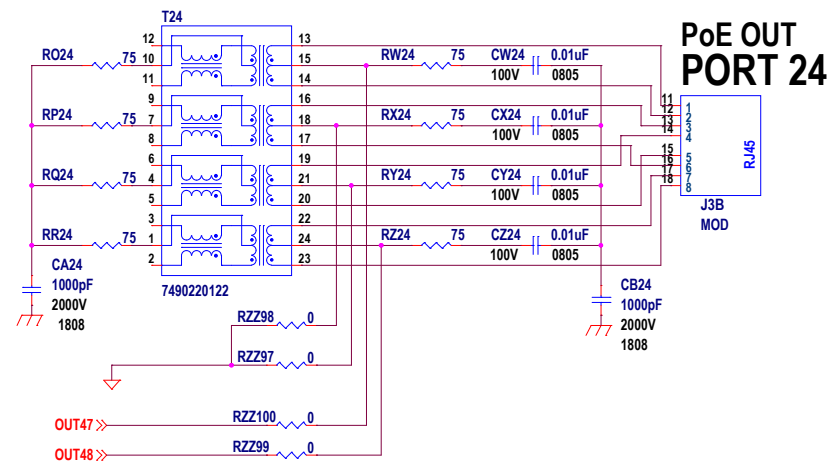
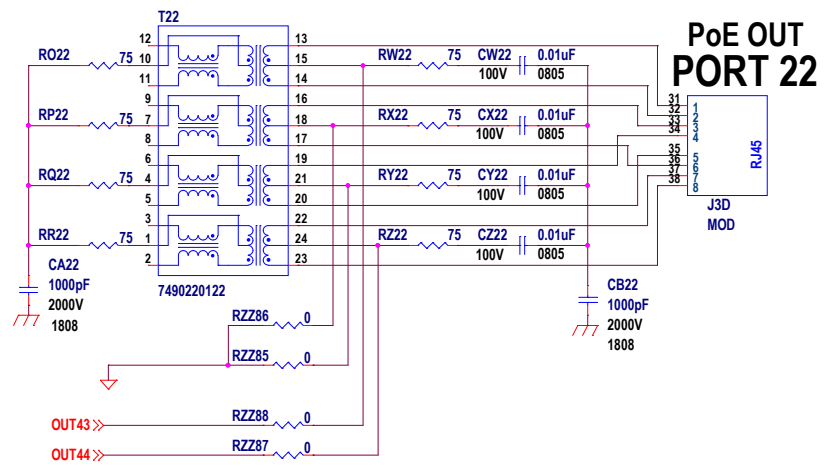


NOTE: UNLESS OTHERWISE SPECIFIED
 1. ALL RESISTORS AND CAPACITORS ARE 0603.
 2. INSTALL SHUNTS AS SHOWN.

CUSTOMER NOTICE		APPROVALS		ANALOG DEVICES		POWER BY LINEAR	
ANALOG DEVICES HAS MADE A BEST EFFORT TO DESIGN A CIRCUIT THAT MEETS CUSTOMER-SUPPLIED SPECIFICATIONS; HOWEVER, IT REMAINS THE CUSTOMER'S RESPONSIBILITY TO VERIFY PROPER AND RELIABLE OPERATION IN THE ACTUAL APPLICATION. COMPONENT SUBSTITUTION AND PRINTED CIRCUIT BOARD LAYOUT MAY SIGNIFICANTLY AFFECT CIRCUIT PERFORMANCE OR RELIABILITY. CONTACT ANALOG DEVICES APPLICATIONS ENGINEERING FOR ASSISTANCE.		PCB DES.	KENM	www.analog.com		Phone: (408)432-1900	
THIS CIRCUIT IS PROPRIETARY TO ANALOG DEVICES AND SUPPLIED FOR USE WITH ANALOG DEVICES PARTS.		APP ENG.	ERIC.H	TITLE: SCHEMATIC			
				24-PORT IEEE802.3bt PSE MOTHER BOARD			
				IC NO. LTC3639EMSE#TRPBF		SCHEMATIC NO. AND REVISION:	
				SKU NO. DC3017A		710-DC3017A-B_REV03	
				SIZE: N/A		DATE:	
						SHEET 7 OF 11	

UPPER ROW

REVISION HISTORY				
ECO	REV	DESCRIPTION	APPROVED	DATE
	3			



LOWER ROW

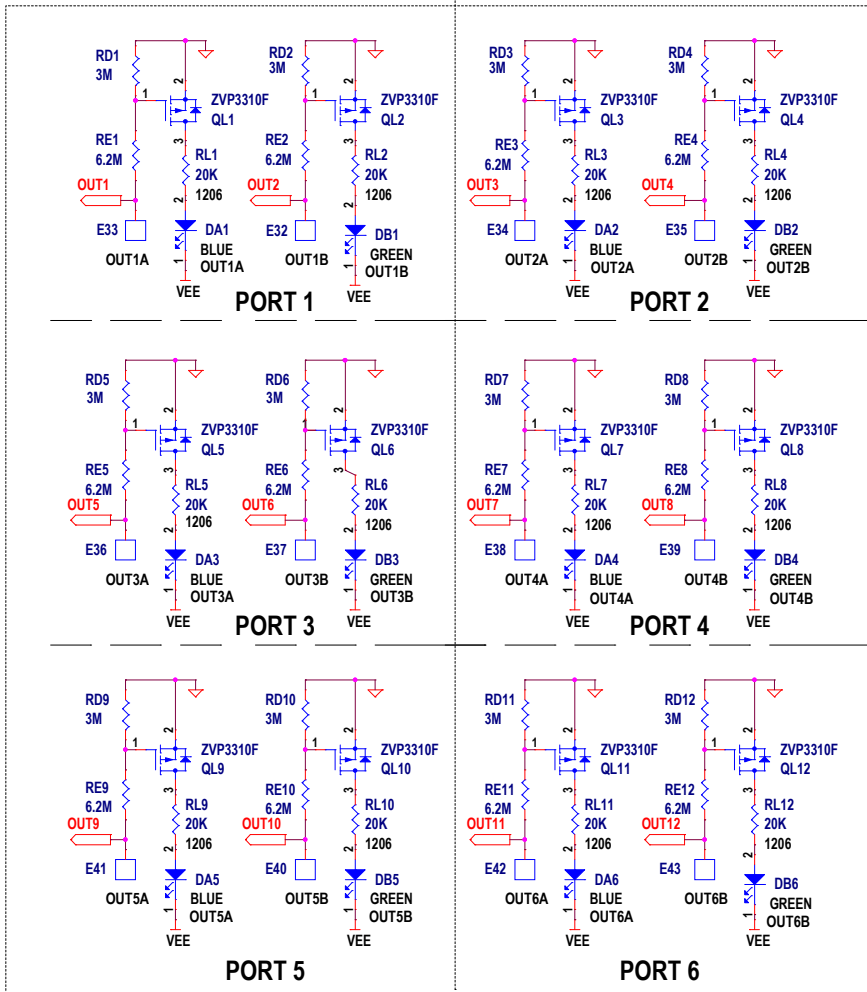
NOTE: UNLESS OTHERWISE SPECIFIED

1. ALL RESISTORS AND CAPACITORS ARE 0603.
2. INSTALL SHUNTS AS SHOWN.

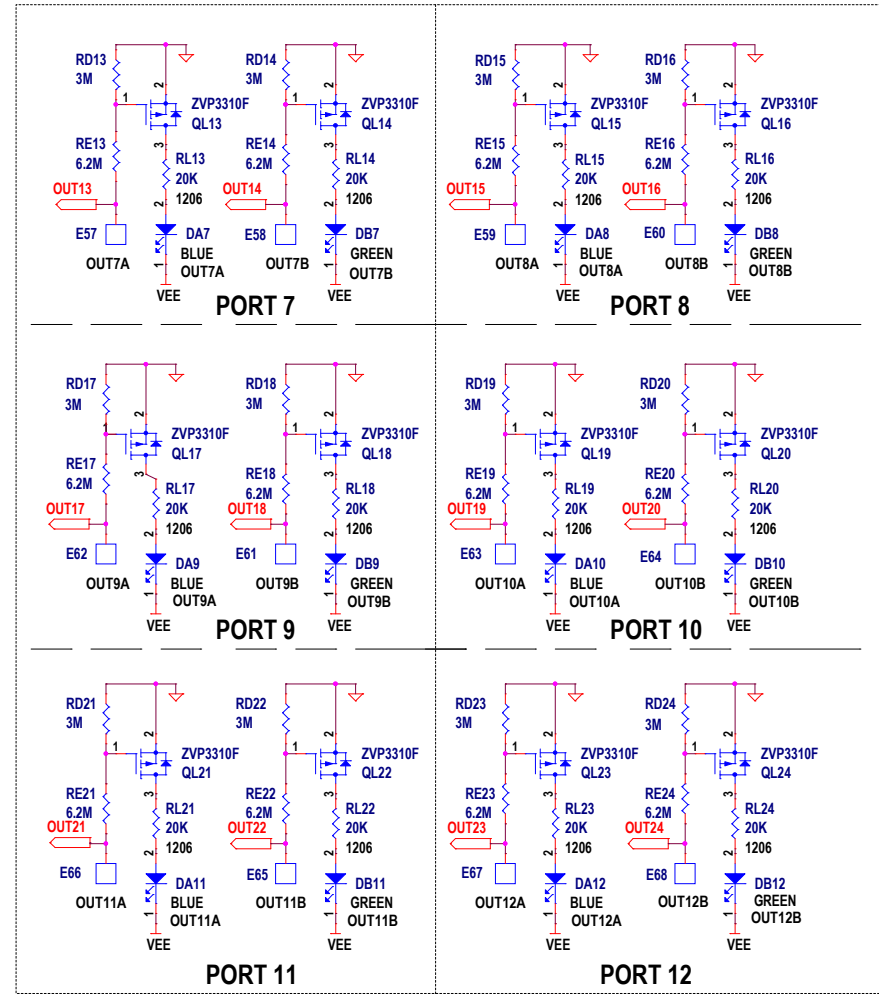
CUSTOMER NOTICE		APPROVALS		ANALOG DEVICES		POWER BY LINEAR	
ANALOG DEVICES HAS MADE A BEST EFFORT TO DESIGN A CIRCUIT THAT MEETS CUSTOMER-SUPPLIED SPECIFICATIONS; HOWEVER, IT REMAINS THE CUSTOMER'S RESPONSIBILITY TO VERIFY PROPER AND RELIABLE OPERATION IN THE ACTUAL APPLICATION. COMPONENT SUBSTITUTION AND PRINTED CIRCUIT BOARD LAYOUT MAY SIGNIFICANTLY AFFECT CIRCUIT PERFORMANCE OR RELIABILITY. CONTACT ANALOG DEVICES APPLICATIONS ENGINEERING FOR ASSISTANCE.		PCB DES.	KEN.M			www.analog.com Phone: (408)432-1900	
		APP ENG.	ERIC.H				
		TITLE: SCHEMATIC					
		24-PORT IEEE802.3bt PSE MOTHER BOARD					
THIS CIRCUIT IS PROPRIETARY TO ANALOG DEVICES AND SUPPLIED FOR USE WITH ANALOG DEVICES PARTS.		IC NO.	LTC3639EMSE#TRPBF	SCHEMATIC NO. AND REVISION:		710-DC3017A-B_REV03	
		SKU NO.	DC3017A	SIZE: N/A		DATE:	SHEET 9 OF 11

REVISION HISTORY		DESCRIPTION	APPROVED	DATE
ECO	REV			
	3			

OPTIONAL PORT LED DRIVERS - PORTS 1 TO 6



OPTIONAL PORT LED DRIVERS - PORTS 7 - 12



NOTE: UNLESS OTHERWISE SPECIFIED

1. ALL RESISTORS AND CAPACITORS ARE 0603.
2. INSTALL SHUNTS AS SHOWN.

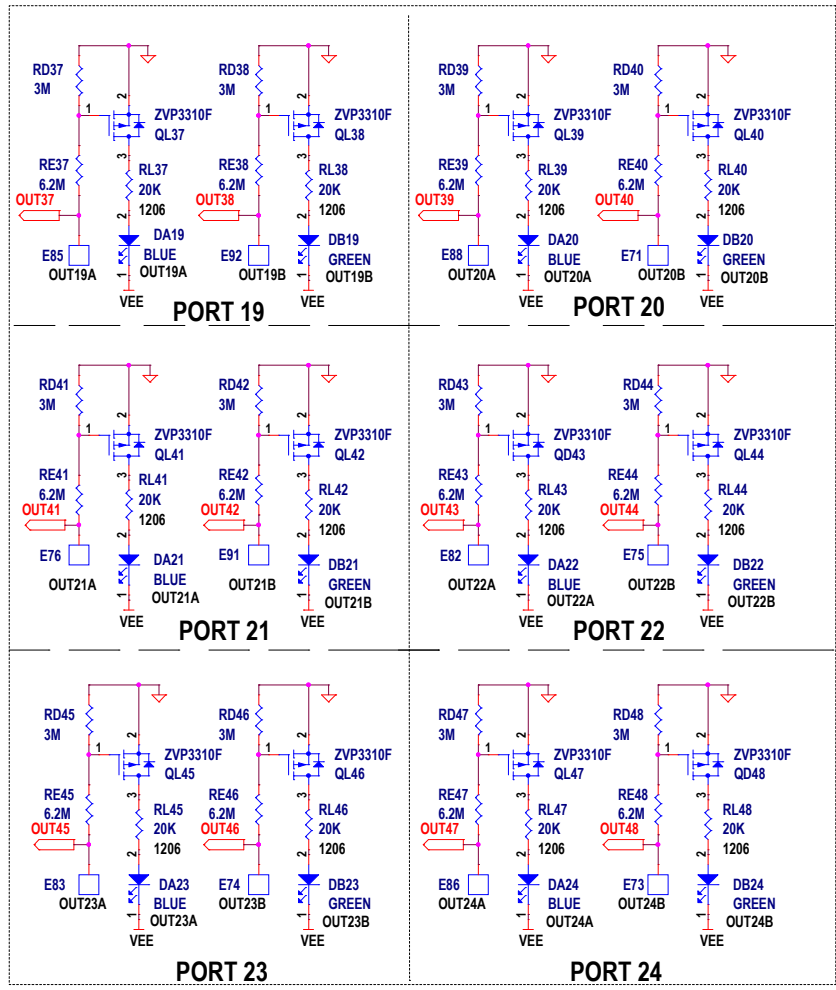
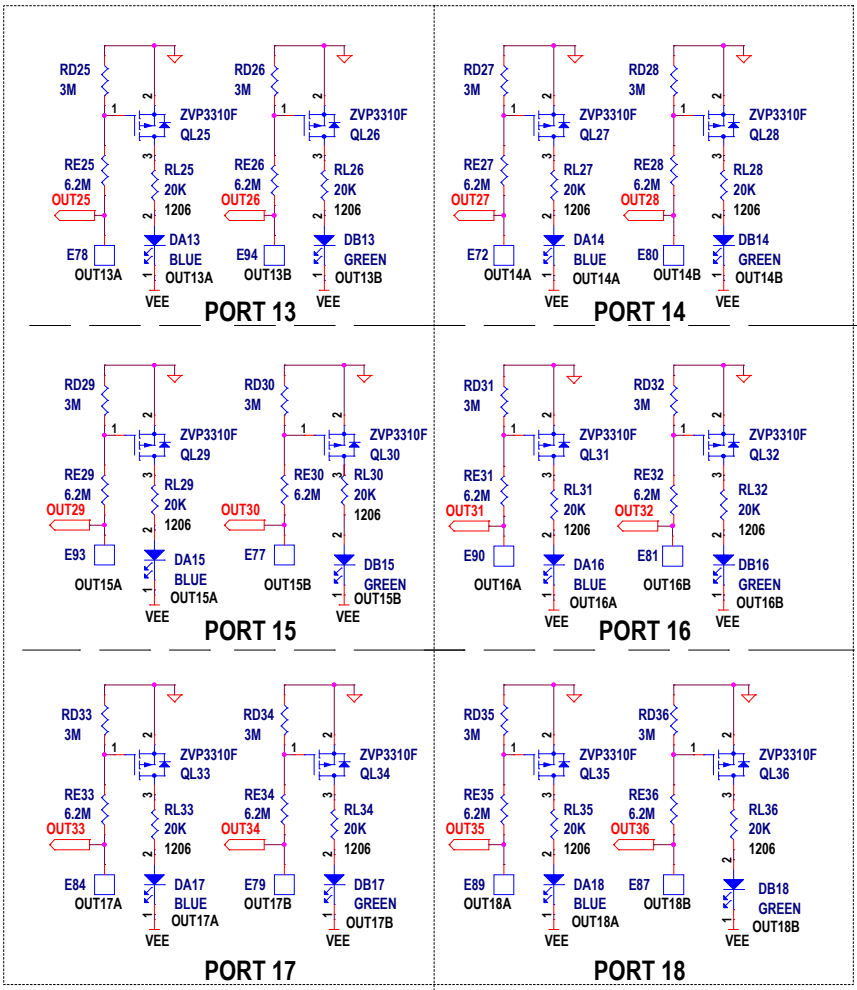
CUSTOMER NOTICE		APPROVALS		ANALOG DEVICES www.analog.com	POWER BY LINEAR Phone: (408)432-1900
ANALOG DEVICES HAS MADE A BEST EFFORT TO DESIGN A CIRCUIT THAT MEETS CUSTOMER-SUPPLIED SPECIFICATIONS; HOWEVER, IT REMAINS THE CUSTOMER'S RESPONSIBILITY TO VERIFY PROPER AND RELIABLE OPERATION IN THE ACTUAL APPLICATION. COMPONENT SUBSTITUTION AND PRINTED CIRCUIT BOARD LAYOUT MAY SIGNIFICANTLY AFFECT CIRCUIT PERFORMANCE OR RELIABILITY. CONTACT ANALOG DEVICES APPLICATIONS ENGINEERING FOR ASSISTANCE.		PCB DES.	KEN/M		
		APP ENG.	ERIC/H	24-PORT IEEE 802.3bt PSE MOTHER BOARD	
THIS CIRCUIT IS PROPRIETARY TO ANALOG DEVICES AND SUPPLIED FOR USE WITH ANALOG DEVICES PARTS.				IC NO.	LTC3639EMSE#TRPBF
				SKU NO.	DC3017A
				SCHEMATIC NO. AND REVISION: 710-DC3017A-B_REV03	
		SIZE:	N/A	DATE:	
					SHEET 10 OF 11

REVISION HISTORY				
ECO	REV	DESCRIPTION	APPROVED	DATE
	3			

PORTS 13-24 LEDS

OPTIONAL PORT LED DRIVERS - PORTS 13 -18

OPTIONAL PORT LED DRIVERS - PORTS 19 -24



NOTE: UNLESS OTHERWISE SPECIFIED
 1. ALL RESISTORS AND CAPACITORS ARE 0603.
 2. INSTALL SHUNTS AS SHOWN.

CUSTOMER NOTICE
 ANALOG DEVICES HAS MADE A BEST EFFORT TO DESIGN A CIRCUIT THAT MEETS CUSTOMER-SUPPLIED SPECIFICATIONS; HOWEVER, IT REMAINS THE CUSTOMER'S RESPONSIBILITY TO VERIFY PROPER AND RELIABLE OPERATION IN THE ACTUAL APPLICATION. COMPONENT SUBSTITUTION AND PRINTED CIRCUIT BOARD LAYOUT MAY SIGNIFICANTLY AFFECT CIRCUIT PERFORMANCE OR RELIABILITY. CONTACT ANALOG DEVICES APPLICATIONS ENGINEERING FOR ASSISTANCE.

APPROVALS	
PCB DES.	KEN/M
APP ENG.	ERIC/H

ANALOG DEVICES **POWER BY LINEAR**
www.analog.com Phone: (408)432-1900

TITLE: SCHEMATIC
 24-PORT IEEE 802.3bt PSE MOTHER BOARD

IC NO. LTC3639EMSE#TRPBF
 SKU NO. DC3017A
 SCHEMATIC NO. AND REVISION: 710-DC3017A-B_REV03

SIZE: N/A DATE: SHEET 11 OF 11

THIS CIRCUIT IS PROPRIETARY TO ANALOG DEVICES AND SUPPLIED FOR USE WITH ANALOG DEVICES PARTS.