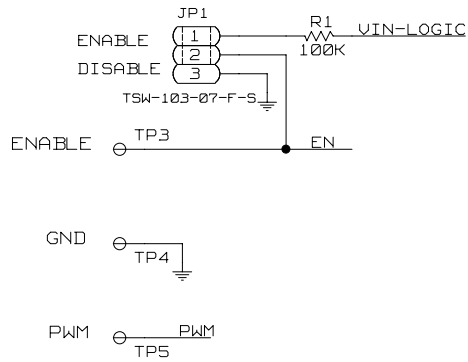
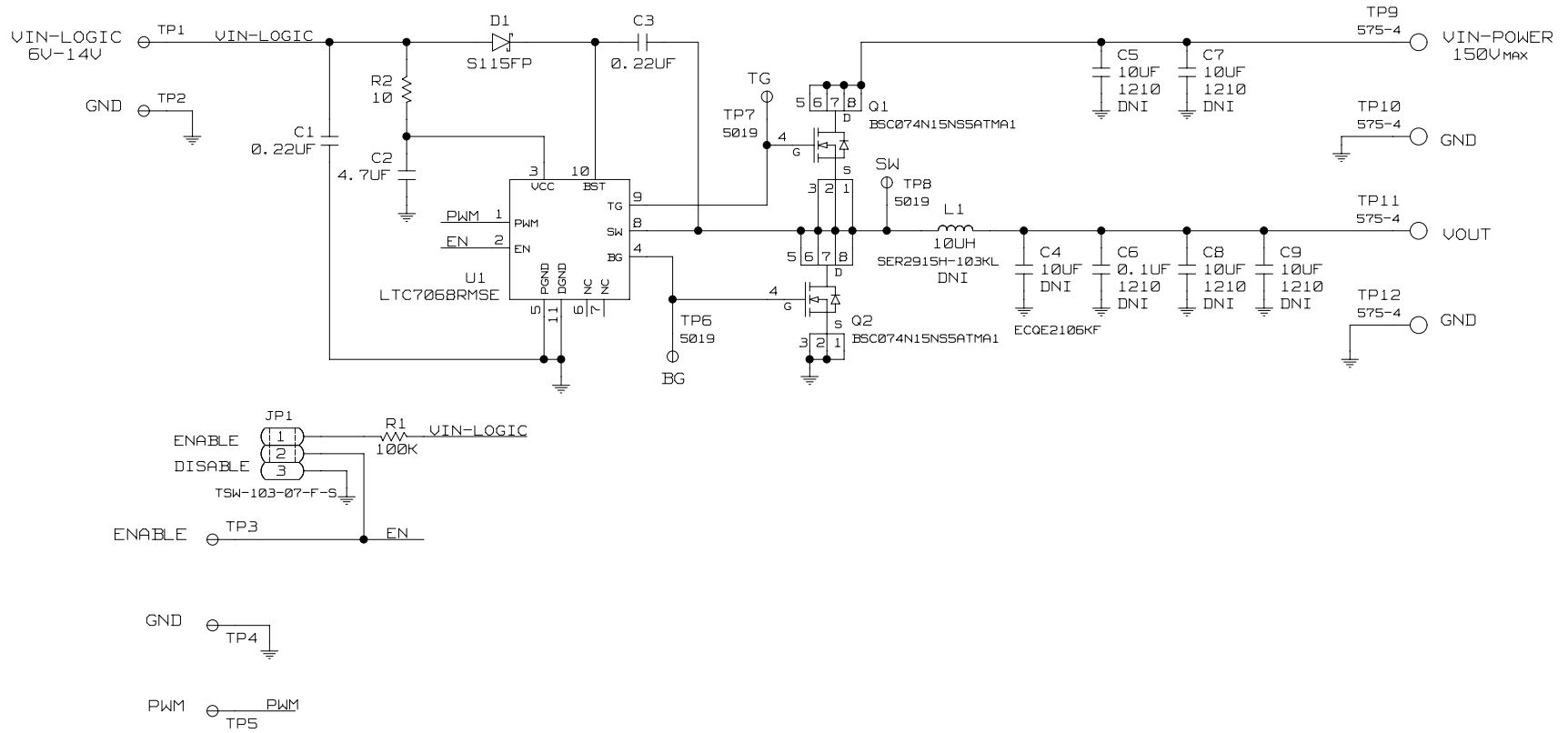


REVISIONS			
REV	DESCRIPTION	DATE	APPROVED
A	INITIAL RELEASE	05DEC22	
B	ECR-118395	11DEC23	



NOTES: UNLESS OTHERWISE SPECIFIED
ALL RESISTORS ARE 0603
ALL CAPACITORS ARE 0603



THIS DRAWING IS THE PROPERTY OF ANALOG DEVICES INC. IT IS NOT TO BE REPRODUCED OR COPIED, IN WHOLE OR IN PART, OR USED IN FURNISHING INFORMATION TO OTHERS, OR FOR ANY OTHER PURPOSE DETRIMENTAL TO THE INTERESTS OF ANALOG DEVICES. THE EQUIPMENT DESIGN HEREON MAY BE PROTECTED BY PATENTS OWNED OR CONTROLLED BY ANALOG DEVICES.

SCHEMATIC			
HW TYPE : Customer Evaluation EVAL-LTC7068-AZ			
Product(s): LTC7068			
150V HALF-BRIDGE DRIVER WITH ADAPTIVE SHOOT-THROUGH PROTECTION			
DESIGN VIEW <DESIGN_VIEW>	DRAWING NO. 02_073631		REV B
PTD ENGINEER	SIZE C	SCALE 1:1	SHEET 1 OF 1