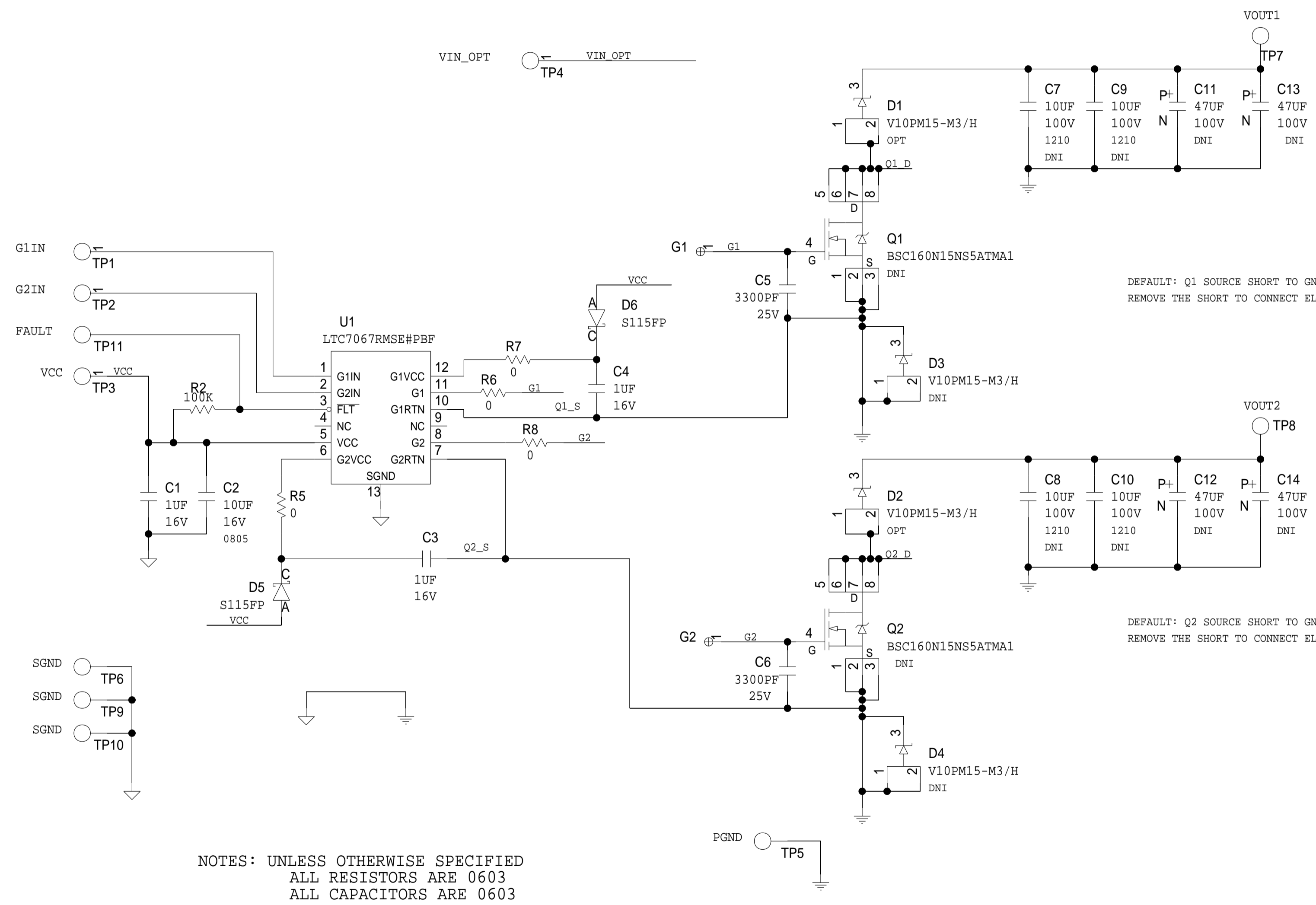


REVISIONS			
REV	DESCRIPTION	DATE	APPROVED
	ECR-112470	1-17-23	



DEFAULT: Q1 SOURCE SHORT TO GND.  
REMOVE THE SHORT TO CONNECT ELSEWHERE.

DEFAULT: Q2 SOURCE SHORT TO GND.  
REMOVE THE SHORT TO CONNECT ELSEWHERE.

NOTES: UNLESS OTHERWISE SPECIFIED  
ALL RESISTORS ARE 0603  
ALL CAPACITORS ARE 0603

<p>THIS DRAWING IS THE PROPERTY OF ANALOG DEVICES INC. IT IS NOT TO BE REPRODUCED OR COPIED, IN WHOLE OR IN PART, OR USED IN FURNISHING INFORMATION TO OTHERS, OR FOR ANY OTHER PURPOSE DETRIMENTAL TO THE INTERESTS OF ANALOG DEVICES. THE EQUIPMENT SHOWN HEREON MAY BE PROTECTED BY PATENTS OWNED OR CONTROLLED BY OWNED ANALOG DEVICES.</p>	<b>SCHEMATIC</b>			
	HW TYPE : Customer Evaluation EVAL-LTC7067-AZ			
	Product(s): LTC7067			
	150V DUALHIGH-SIDE MOSFET GATE DRIVER			
DESIGN VIEW	DRAWING NO.		REV	
<DESIGN_VIEW>	02_072118		B	
PTD ENGINEER	SIZE	SCALE	SHEET	OF
-	C	1:1	1	1