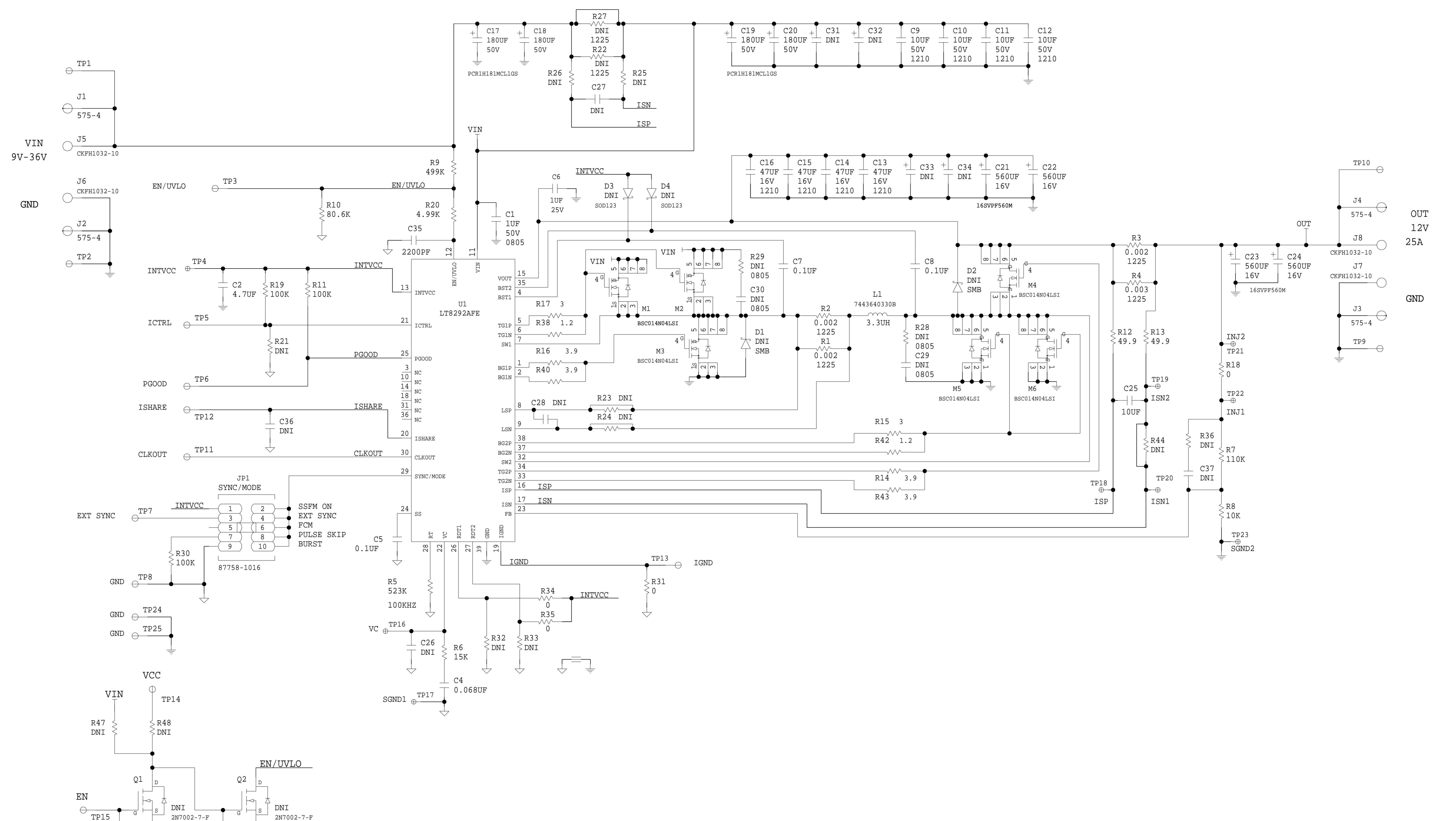


REVISIONS			
REV	DESCRIPTION	DATE	APPROVED
A	INITIAL RELEASE	29JUL24	



NOTES: UNLESS OTHERWISE SPECIFIED
 ALL RESISTORS ARE 0603
 ALL CAPACITORS ARE 0603

	SCHEMATIC		
	HW TYPE : Customer Evaluation EVAL-LT8292-BZ Product(s): LT8292 LOW IQ SYNCHRONOUS BUCK-BOOST REGULATOR		
	DESIGN VIEW <DESIGN_VIEW>	DRAWING NO. 02_082087	REV A
	PTD ENGINEER -	SIZE D	SCALE 1:1
		SHEET 1 OF 1	