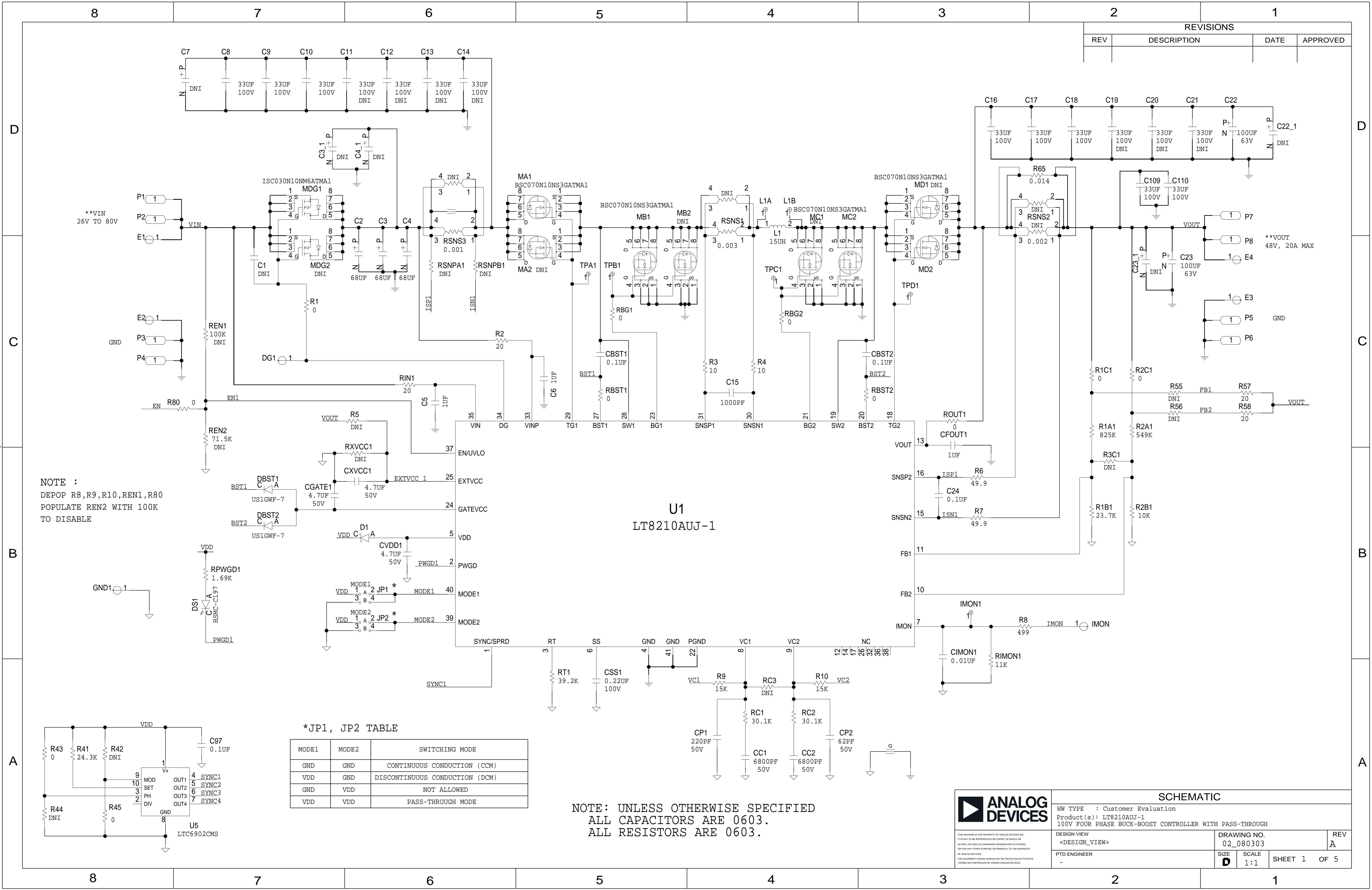


REVISIONS			
REV	DESCRIPTION	DATE	APPROVED



NOTE :
 DEPOP R8,R9,R10,REN1,R80
 POPULATE REN2 WITH 100K
 TO DISABLE

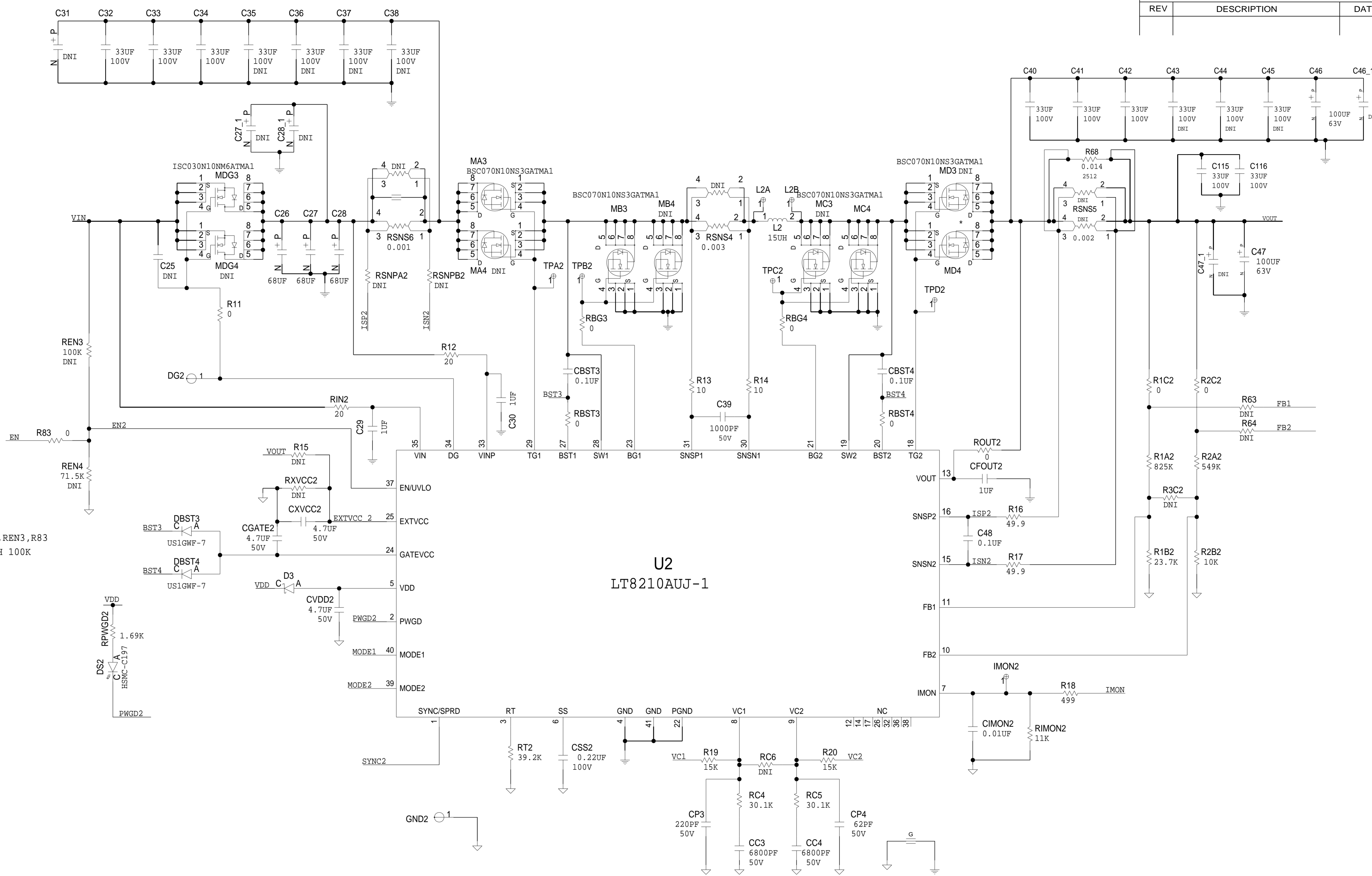
*JP1, JP2 TABLE

MODE1	MODE2	SWITCHING MODE
GND	GND	CONTINUOUS CONDUCTION (CCM)
VDD	GND	DISCONTINUOUS CONDUCTION (DCM)
GND	VDD	NOT ALLOWED
VDD	VDD	PASS-THROUGH MODE

NOTE: UNLESS OTHERWISE SPECIFIED
 ALL CAPACITORS ARE 0603.
 ALL RESISTORS ARE 0603.

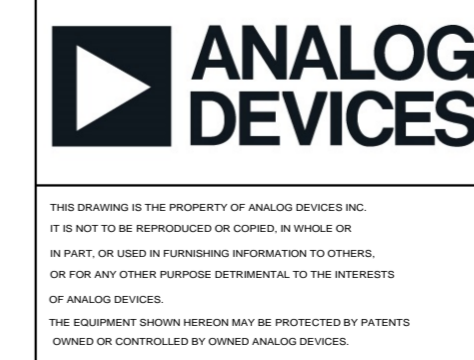
	SCHEMATIC		
	HW TYPE : Customer Evaluation Product(s) : LT8210AUJ-1 100V FOUR PHASE BUCK-BOOST CONTROLLER WITH PASS-THROUGH		
DESIGN VIEW <DESIGN_VIEW>	DRAWING NO. 02_080303	REV A	
PTD ENGINEER -	SIZE D	SCALE 1:1	SHEET 1 OF 5

REVISIONS			
REV	DESCRIPTION	DATE	APPROVED



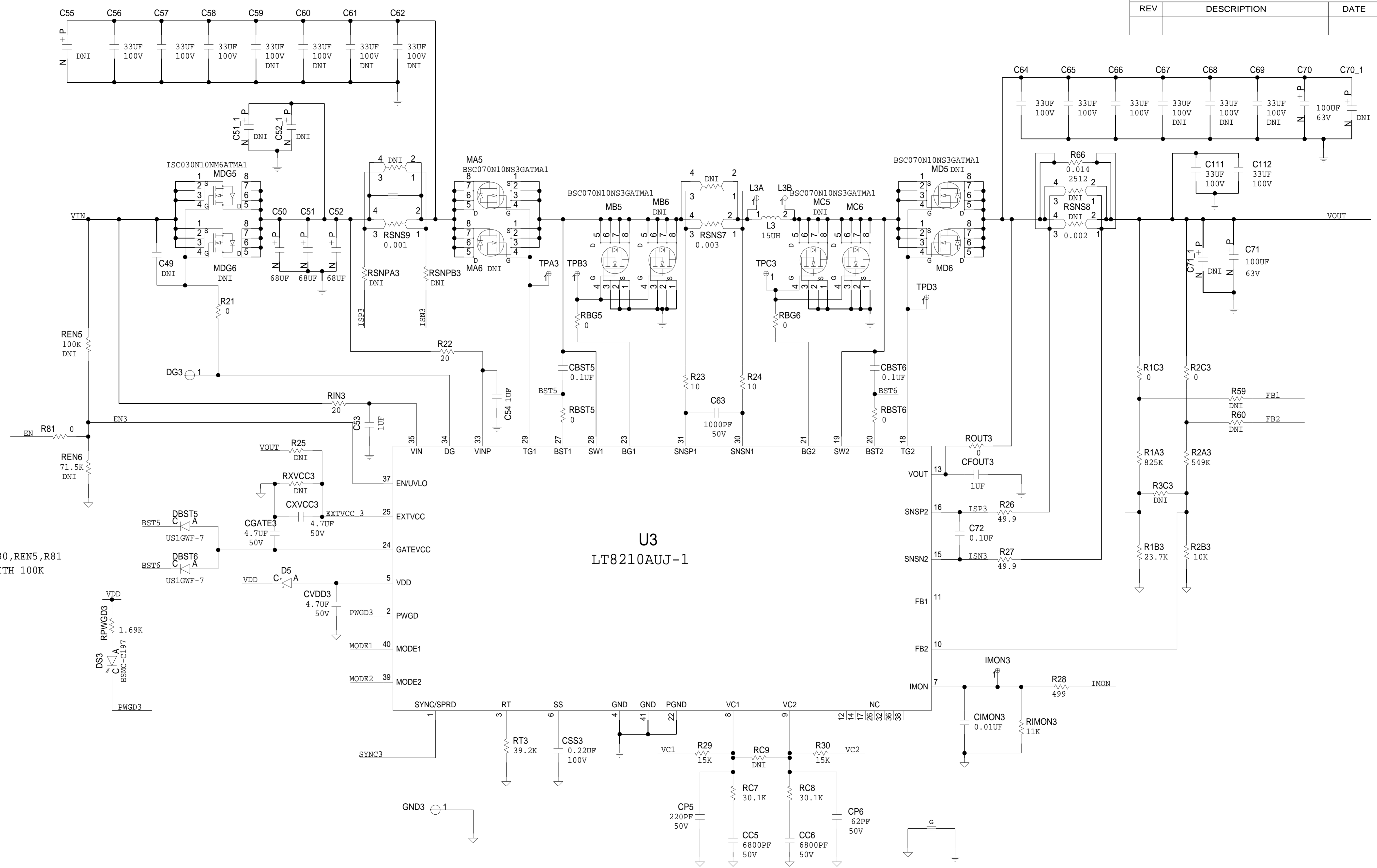
NOTE :
 DEPOP R18,R19,R20,REN3,R83
 POPULATE REN4 WITH 100K
 TO DISABLE

SCHEMATIC			
HW TYPE : Customer Evaluation Product(s) : LT8210AUJ-1 100V FOUR PHASE BUCK-BOOST CONTROLLER WITH PASS-THROUGH			
DESIGN VIEW	DRAWING NO.	REV	
<DESIGN_VIEW>	02_080303	A	
PTD ENGINEER	SIZE	SCALE	SHEET 2 OF 5
-	D	1:1	



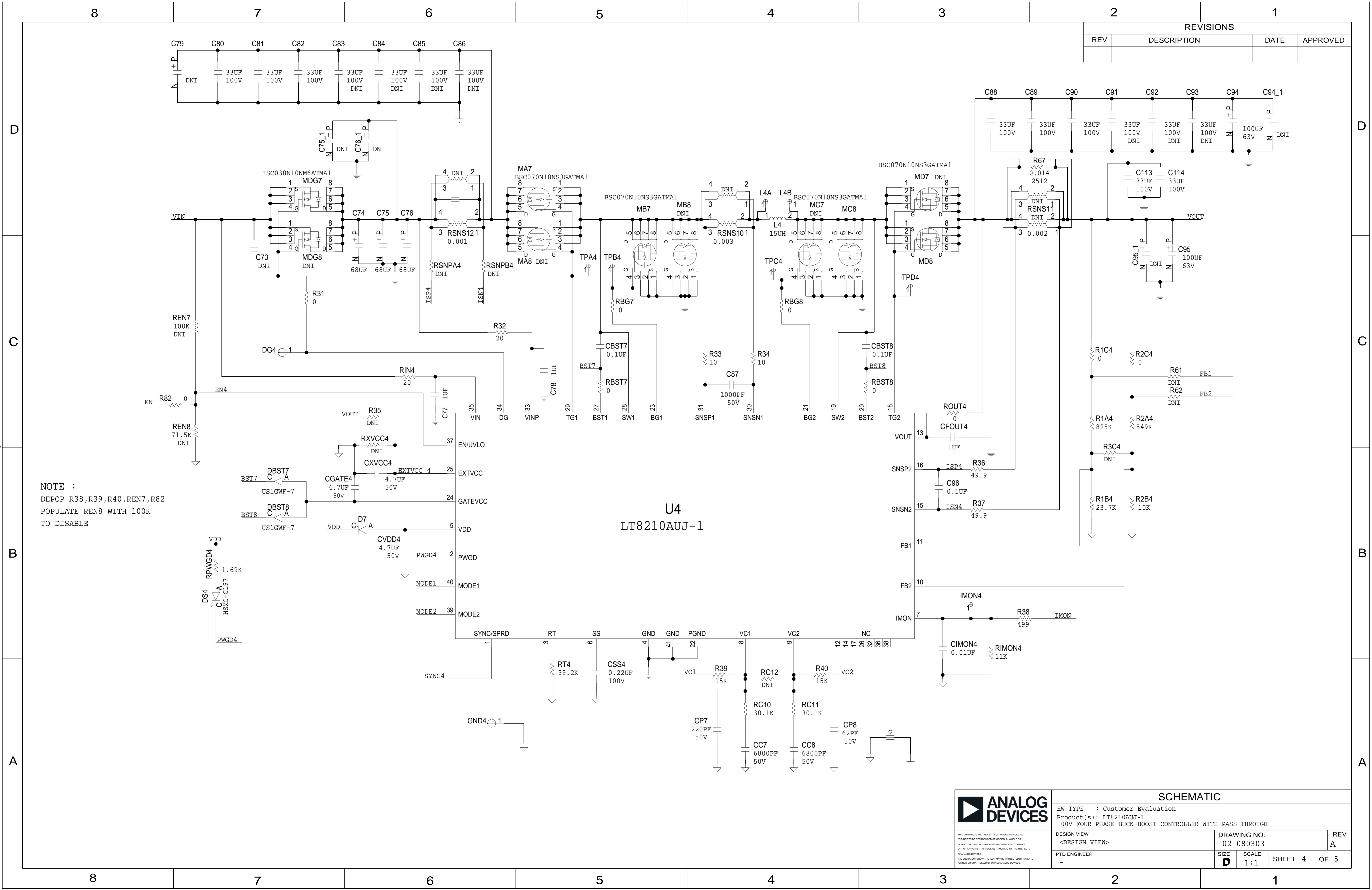
THIS DRAWING IS THE PROPERTY OF ANALOG DEVICES INC.
 IT IS NOT TO BE REPRODUCED OR COPIED, IN WHOLE OR
 IN PART, OR USED IN FURNISHING INFORMATION TO OTHERS,
 OR FOR ANY OTHER PURPOSE DETRIMENTAL TO THE INTERESTS
 OF ANALOG DEVICES.
 THE EQUIPMENT SHOWN HEREON MAY BE PROTECTED BY PATENTS
 OWNED OR CONTROLLED BY ANALOG DEVICES.

REVISIONS			
REV	DESCRIPTION	DATE	APPROVED



NOTE :
 DEPOP R28,R29,R30,REN5,R81
 POPULATE REN6 WITH 100K
 TO DISABLE

	SCHEMATIC		
	HW TYPE : Customer Evaluation Product(s) : LT8210AUJ-1 100V FOUR PHASE BUCK-BOOST CONTROLLER WITH PASS-THROUGH		
	DESIGN VIEW <DESIGN_VIEW>	DRAWING NO. 02_080303	REV A
	PTD ENGINEER -	SIZE D	SCALE 1:1

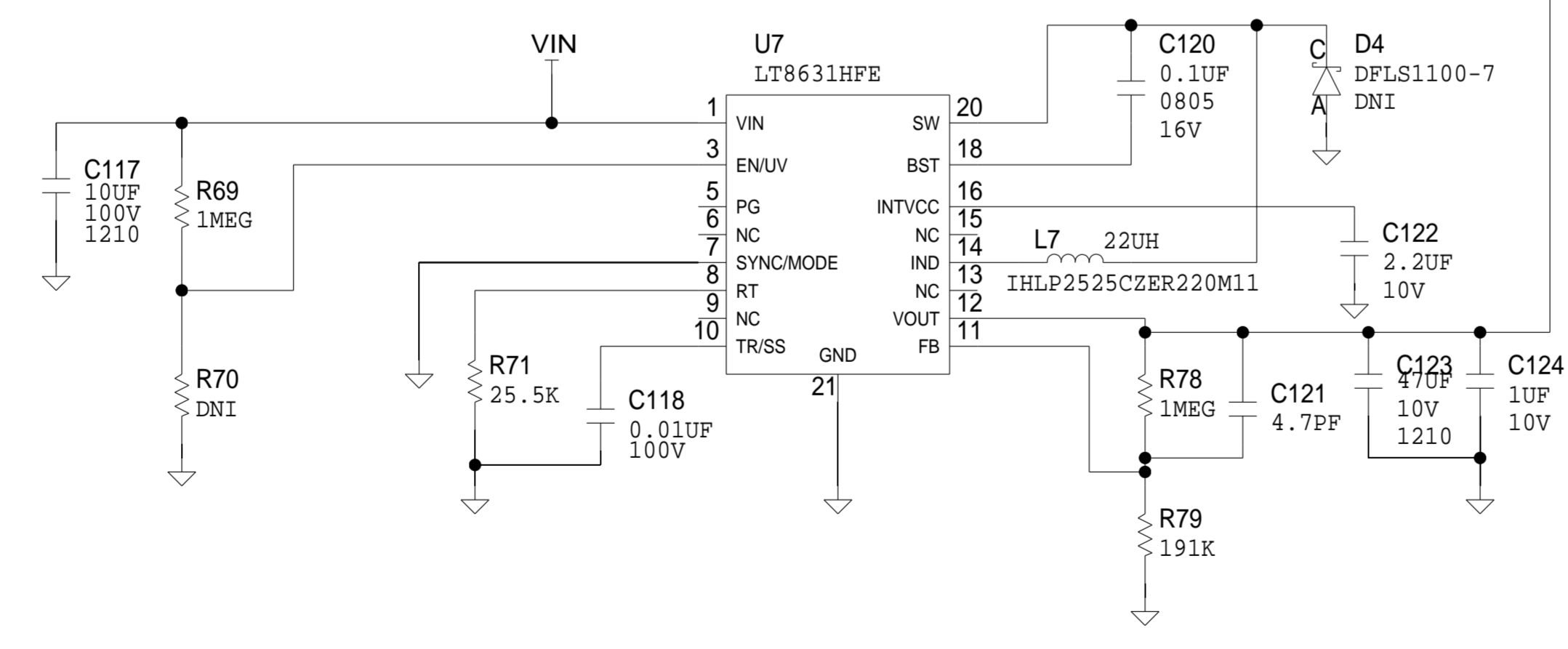
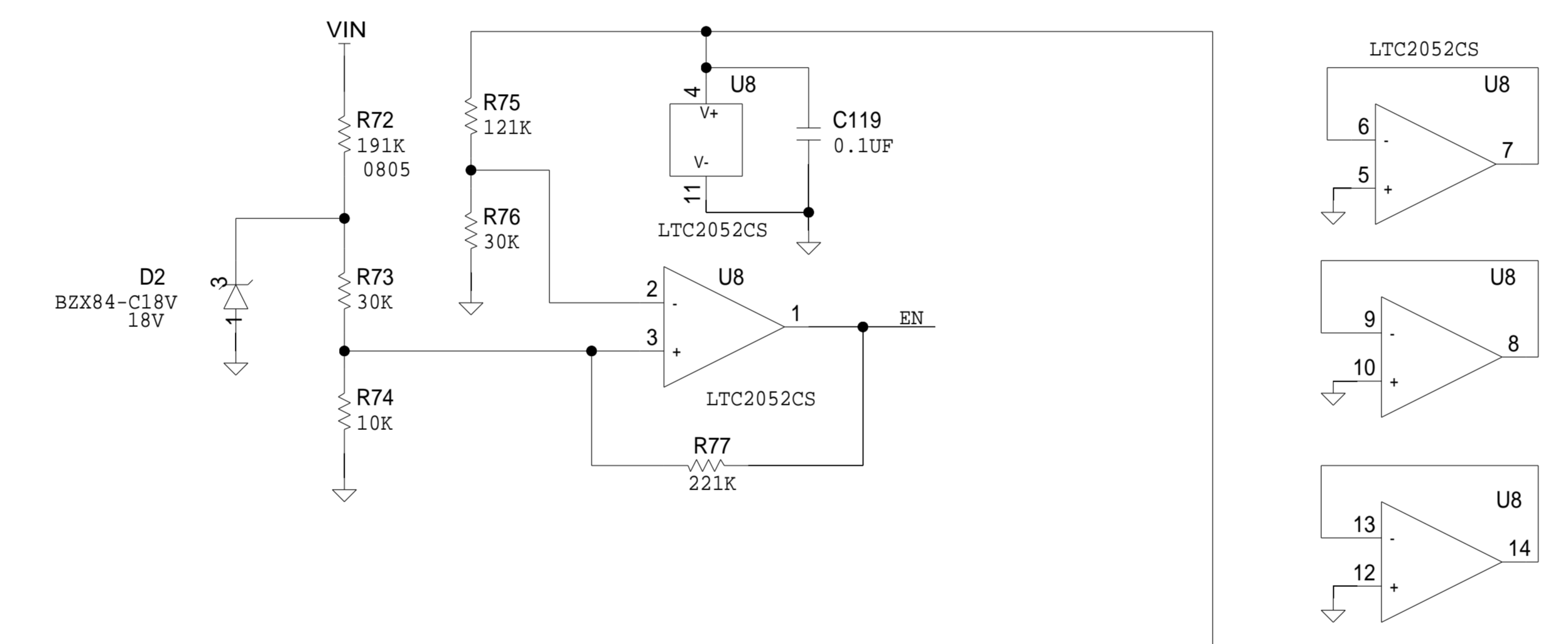
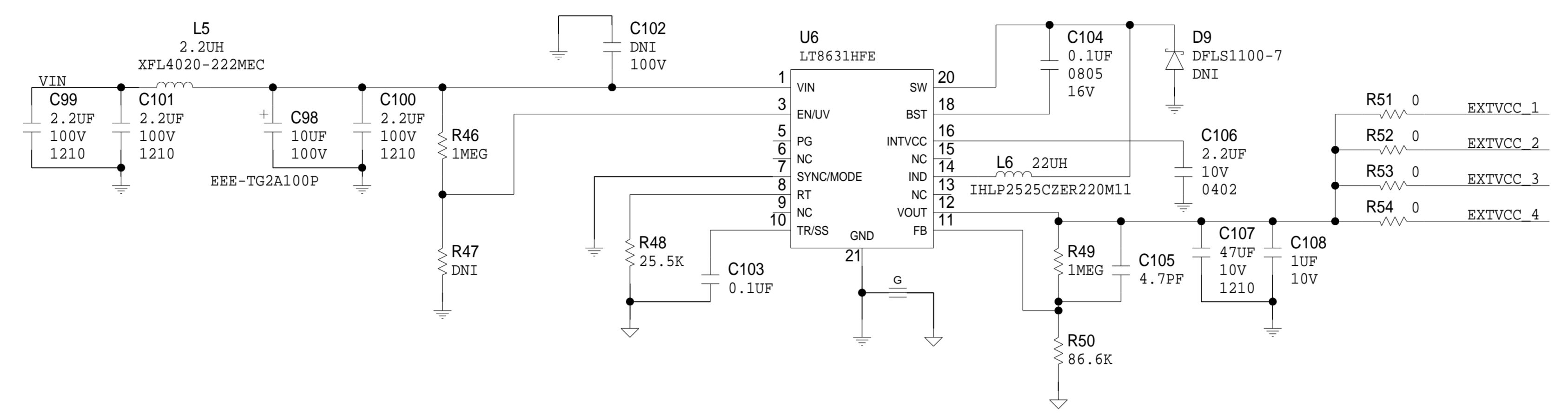


REVISIONS			
REV	DESCRIPTION	DATE	APPROVED

NOTE :
 DEPOP R38,R39,R40,REN7,R82
 POPULATE REN8 WITH 100K
 TO DISABLE

	SCHEMATIC		
	HW TYPE : Customer Evaluation Product(s) : LT8210AUJ-1 100V FOUR PHASE BUCK-BOOST CONTROLLER WITH PASS-THROUGH		
DESIGN VIEW <DESIGN_VIEW>	DRAWING NO. 02_080303	REV A	
PTD ENGINEER -	SIZE D	SCALE 1:1	SHEET 4 OF 5

REVISIONS			
REV	DESCRIPTION	DATE	APPROVED



	SCHEMATIC		
	HW TYPE : Customer Evaluation Product(s): LT8210AUJ-1 100V FOUR PHASE BUCK-BOOST CONTROLLER WITH PASS-THROUGH		
	DESIGN VIEW <DESIGN_VIEW>	DRAWING NO. 02_080303	REV A
	PTD ENGINEER -	SIZE D	SCALE 1:1
		SHEET 5 OF 5	