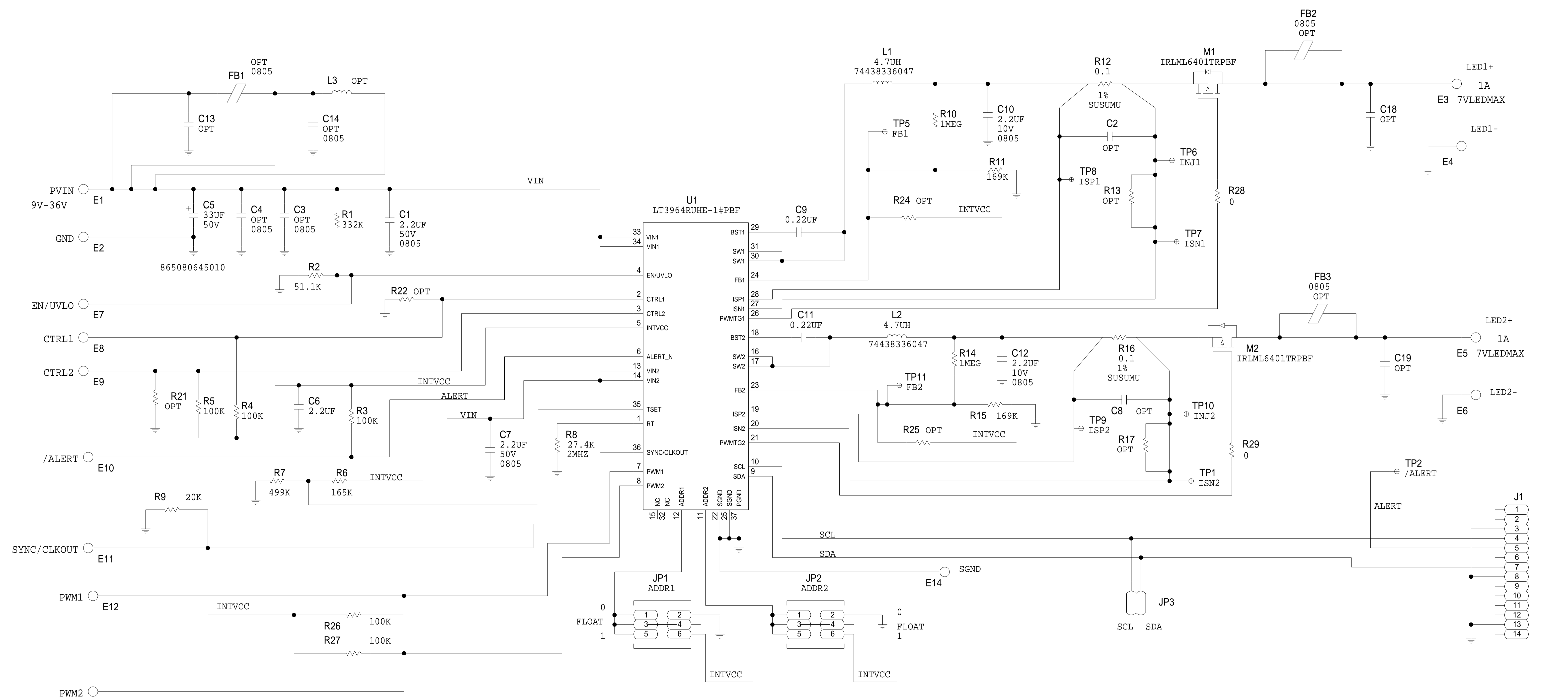


THIS DRAWING IS THE PROPERTY OF ANALOG DEVICES INC. IT IS NOT TO BE REPRODUCED OR COPIED, IN WHOLE OR IN PART, OR USED IN FURNISHING INFORMATION TO OTHERS, OR FOR ANY OTHER PURPOSE DETRIMENTAL TO THE INTERESTS OF ANALOG DEVICES. THE EQUIPMENT SHOWN HEREON MAY BE PROTECTED BY PATENTS OWNED OR CONTROLLED BY ANALOG DEVICES.

REVISIONS			
REV	DESCRIPTION	DATE	APPROVED
B	ECR-116464	16AUG23	



NOTES: UNLESS OTHERWISE SPECIFIED
 1. ALL RESISTORS ARE 0402
 2. ALL CAPACITORS ARE 0402

TEMPLATE ENGINEER	DATE	SCHEMATIC							
HARDWARE SERVICES									
HARDWARE SYSTEMS		<ADXXXX_ADBV1_RELIABILITY_HARDWARE> <PRIMARY_PRODUCT_GENERIC> <ADDITIONAL_PRODUCT_GENERIC> <K_SPEC> <P_SPEC> 36V SYNCHRONOUS DUAL LED DRIVER WITH I C <DIE_ID> <LEAD_COUNT> <PACKAGE> <BODY_SIZE>							
TEST ENGINEER									
COMPONENT ENGINEER									
TEST PROCESS									
HARDWARE RELEASE									
DESIGNER		MASTER PROJECT TEMPLATE	TESTER TEMPLATE	DRAWING NO.	REV.				
PTD ENGINEER		TBD	065804_a			02_072443	B		
CHECKER		UNLESS OTHERWISE SPECIFIED DIMENSIONS ARE IN INCHES			SIZE	SCALE	CODE ID NO.	SHEET 1	OF 1
		DECIMALS	FRACTIONS	ANGLES	D	1:1	CodeID		