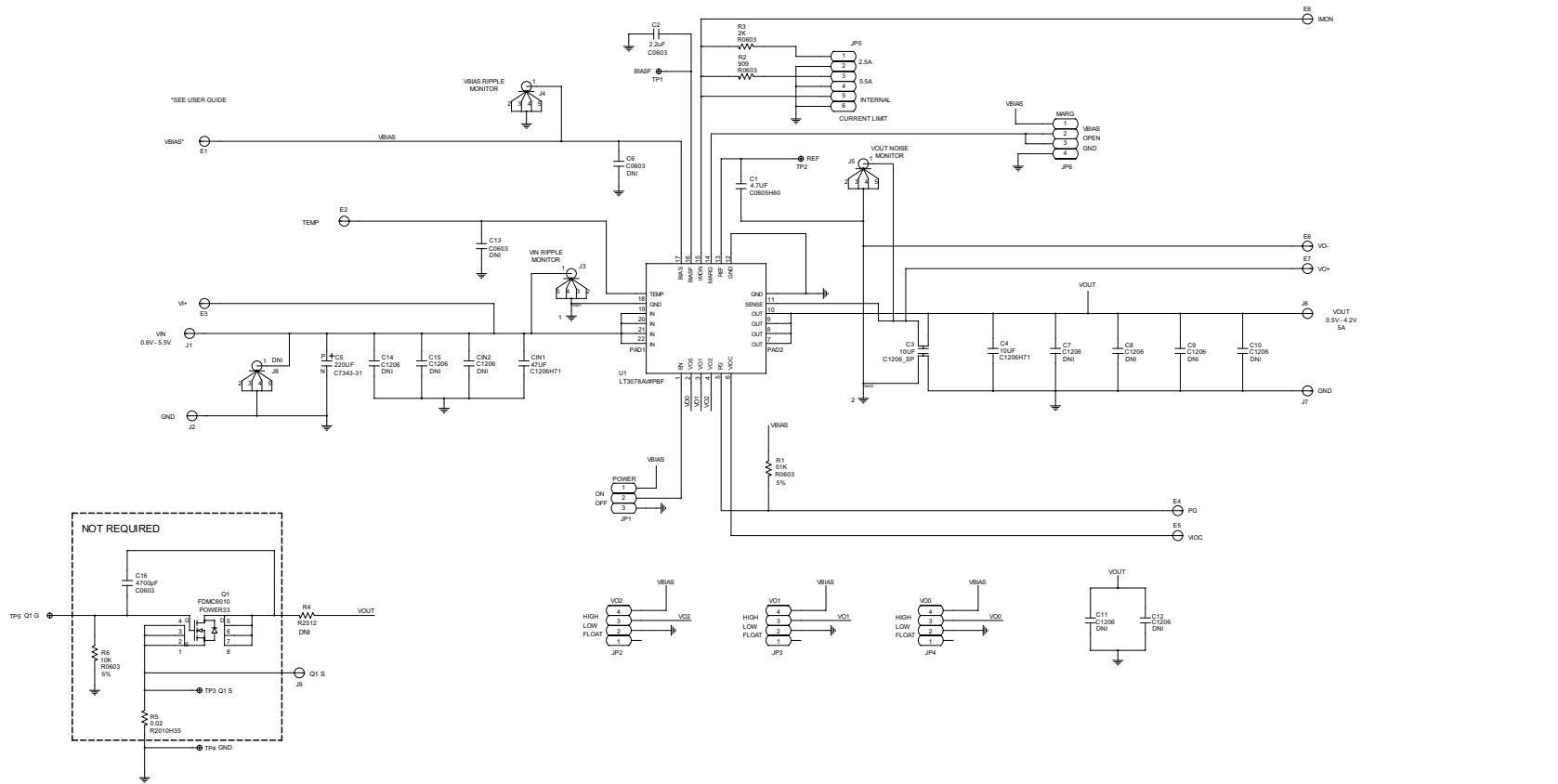


5A. ULTRALOW NOISE, HIGH PSRR, 55mV DROPOUT ULTRAFAST LINEAR REGULATOR

REVISIONS			
REV	DESCRIPTION	DATE	APPROVED



	SCHEMATIC	
	HWY TYPE: Customer Evaluation Z Product(s): LT3075 : N/A	
DESIGNER: DESIGN_VIEW C.JARDIN	SCALE: 1:1	DRAWING NO.: 02_080142 SHEET 2 OF 2