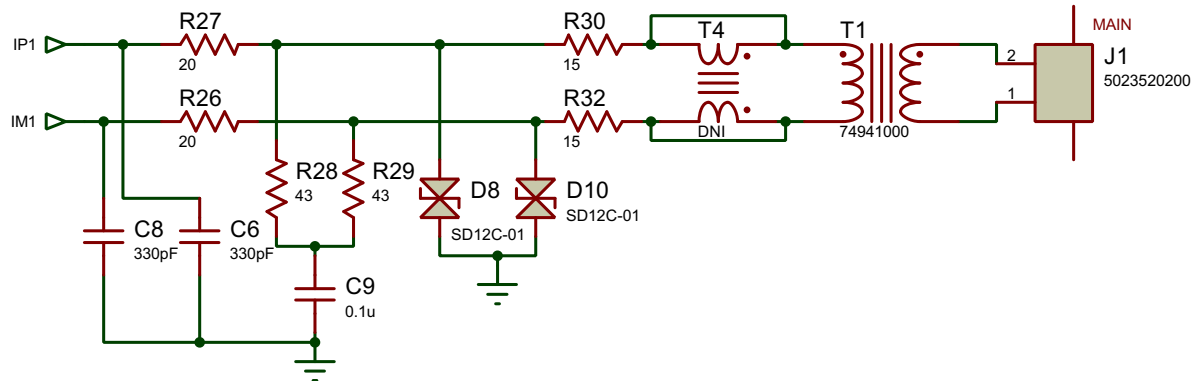
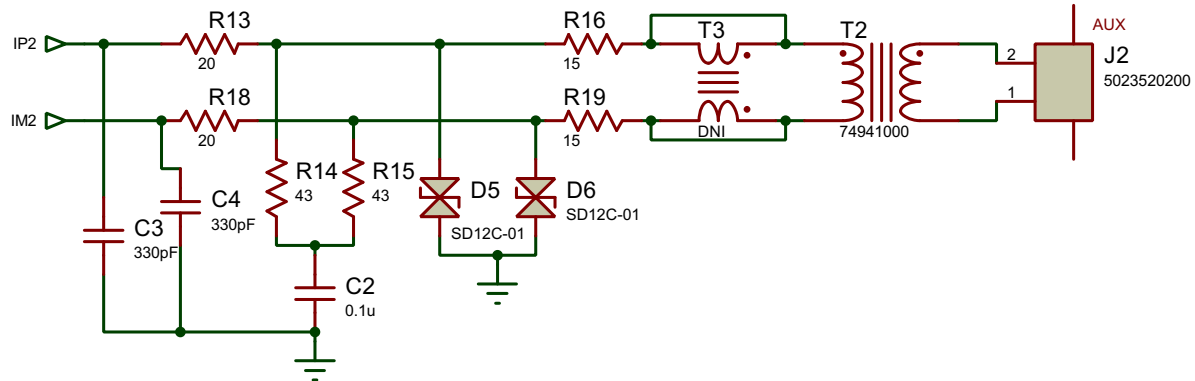
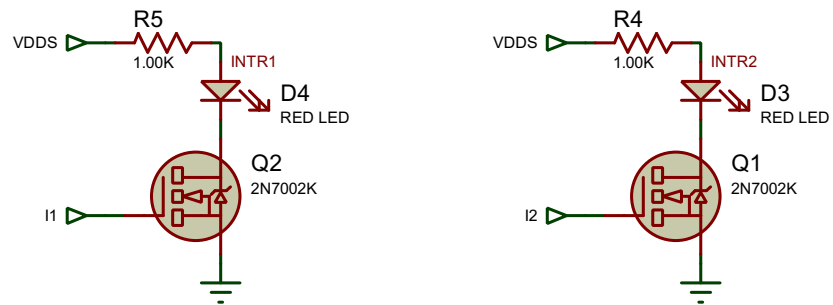


FILE NAME:	EVAL-ADBMS6822_REV B	PCB DESIGN FR
DESIGN TITLE:	Dual isoSPI Adapter	4/6/2021
PATH:	C:\Users\jmunson2\OneDrive - Analog Devices, Inc\Projects\94	PAGE:
BY: J. Munson	REV: B	TIME: 1:43:09 PM



FILE NAME:	EVAL-ADBMS6822_REV B	PCB DESIGN FR
DESIGN TITLE:	Dual isoSPI Adapter	4/6/2021
PATH:	C:\Users\jmunson2\OneDrive - Analog Devices\Incl\Projects\94	PAGE:
BY: J. Munson	REV: B	TIME: 1:43:09 PM