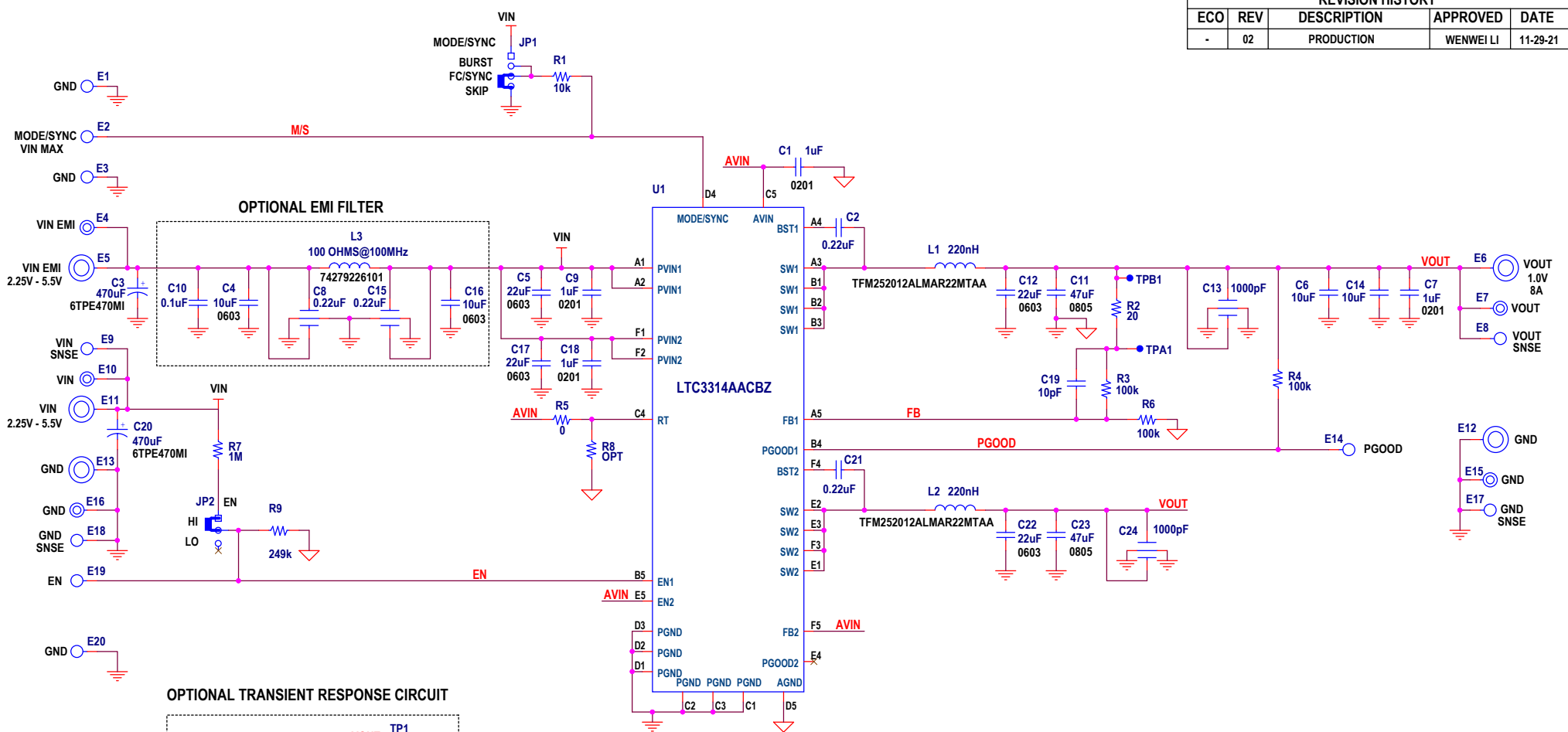
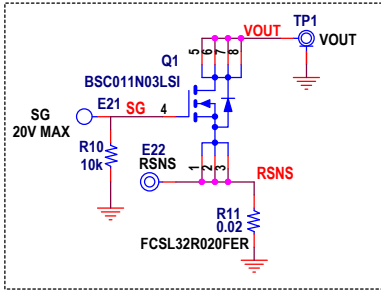


REVISION HISTORY				
ECO	REV	DESCRIPTION	APPROVED	DATE
-	02	PRODUCTION	WENWEI LI	11-29-21



OPTIONAL TRANSIENT RESPONSE CIRCUIT



PCA ADDITIONAL PARTS

MP1	STANDOFF,NYLON,SNAP-ON,0.50"
MP2	STANDOFF,NYLON,SNAP-ON,0.50"
MP3	STANDOFF,NYLON,SNAP-ON,0.50"
MP4	STANDOFF,NYLON,SNAP-ON,0.50"
LB1	LABEL
PCB1	PCB, DC3205A REV02

NOTES: UNLESS OTHERWISE SPECIFIED  
 1. RESISTORS: OHMS, 0402, 1%, 1/16W  
 2. CAPACITORS: 0402

CUSTOMER NOTICE

ANALOG DEVICES HAS MADE A BEST EFFORT TO DESIGN A CIRCUIT THAT MEETS CUSTOMER-SUPPLIED SPECIFICATIONS; HOWEVER, IT REMAINS THE CUSTOMER'S RESPONSIBILITY TO VERIFY PROPER AND RELIABLE OPERATION IN THE ACTUAL APPLICATION. COMPONENT SUBSTITUTION AND PRINTED CIRCUIT BOARD LAYOUT MAY SIGNIFICANTLY AFFECT CIRCUIT PERFORMANCE OR RELIABILITY. CONTACT ANALOG DEVICES APPLICATIONS ENGINEERING FOR ASSISTANCE.

THIS CIRCUIT IS PROPRIETARY TO ANALOG DEVICES AND SUPPLIED FOR USE WITH ANALOG DEVICES PARTS.

APPROVALS

PCB DES.	NC
APP ENG.	WL



TITLE: SCHEMATIC	
3.3V TO 1.0V AT 8A, 2MHz DUAL-PHASE STEP-DOWN DC/DC REGULATOR	
IC NO. LTC3314A	SCHEMATIC NO. AND REVISION: 710-DC3205A_REV02
SKU NO. DC3205A	
SIZE: N/A	DATE: 11-29-21
SHEET 1 OF 1	