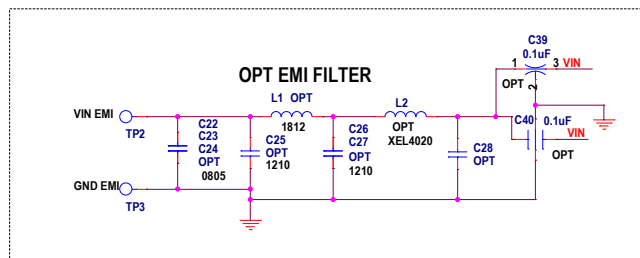
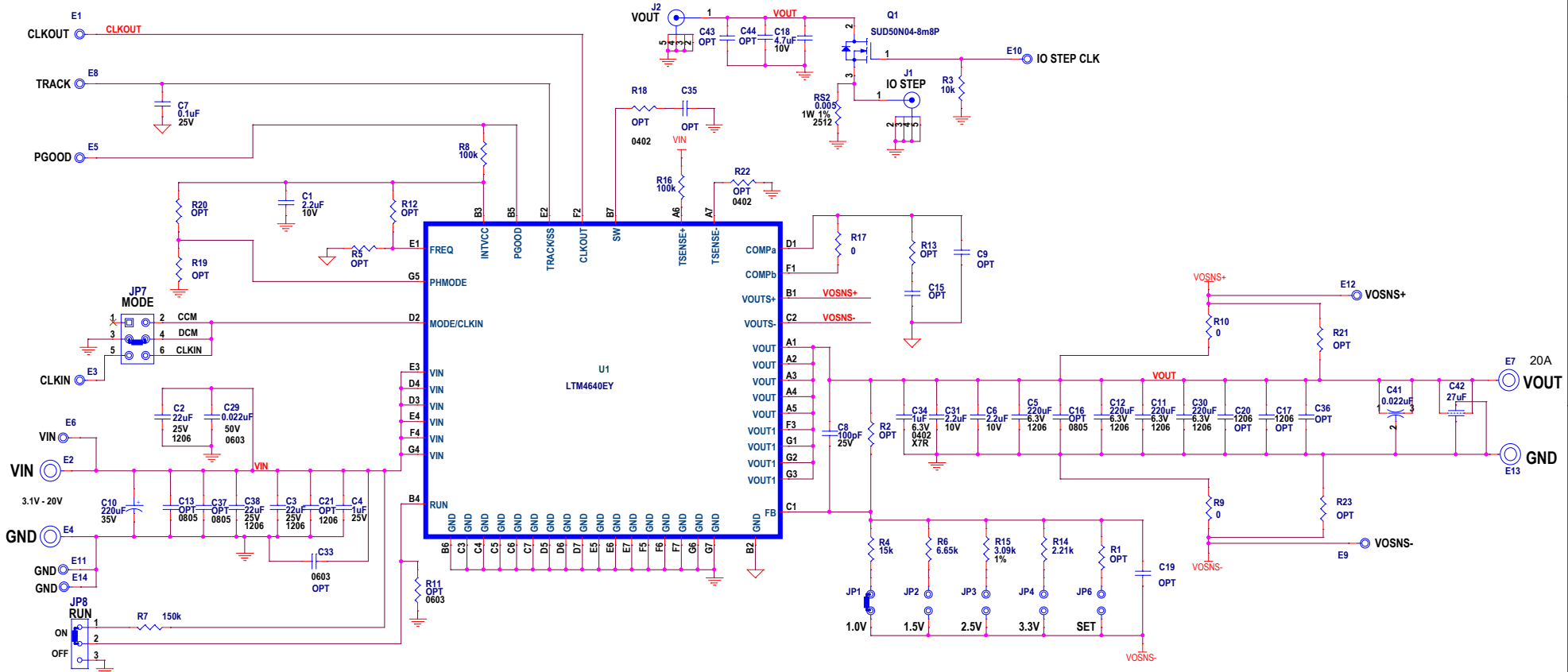


REVISION HISTORY				
ECO	REV	DESCRIPTION	DATE	APPROVED
	3	PRODUCTION	09/02/24	WB



NOTES: UNLESS OTHERWISE SPECIFIED,
 1. GND (B2) IS CONNECTED GND PLANE.
 INSIDE uMODULE.
 2. ALL RESISTORS AND CAPACITORS ARE 0603.

CUSTOMER NOTICE
 ANALOG DEVICES HAS MADE A BEST EFFORT TO DESIGN A CIRCUIT THAT MEETS CUSTOMER-SUPPLIED SPECIFICATIONS. HOWEVER, IT REMAINS THE CUSTOMER'S RESPONSIBILITY TO VERIFY PROPER AND RELIABLE OPERATION IN THE ACTUAL APPLICATION. COMPONENT SUBSTITUTION AND PRINTED CIRCUIT BOARD LAYOUT MAY SIGNIFICANTLY AFFECT CIRCUIT PERFORMANCE OR RELIABILITY. CONTACT ANALOG DEVICES APPLICATIONS ENGINEERING FOR ASSISTANCE.

THIS CIRCUIT IS PROPRIETARY TO ANALOG DEVICES AND SUPPLIED FOR USE WITH ANALOG DEVICES PARTS.

APPROVALS	
PCR DES.	A N
APP ENG.	WB

TITLE: SCHEMATIC 20V STEP-DOWN uMODULE REGULATOR	
IC NO. LTM4640EY	SCHEMATIC NO. AND REVISION: 710-DC3107A_REV03
SKU NO. DC3107A	DATE: Tuesday, June 04, 2024
SIZE: N/A	SHEET 1 OF 1