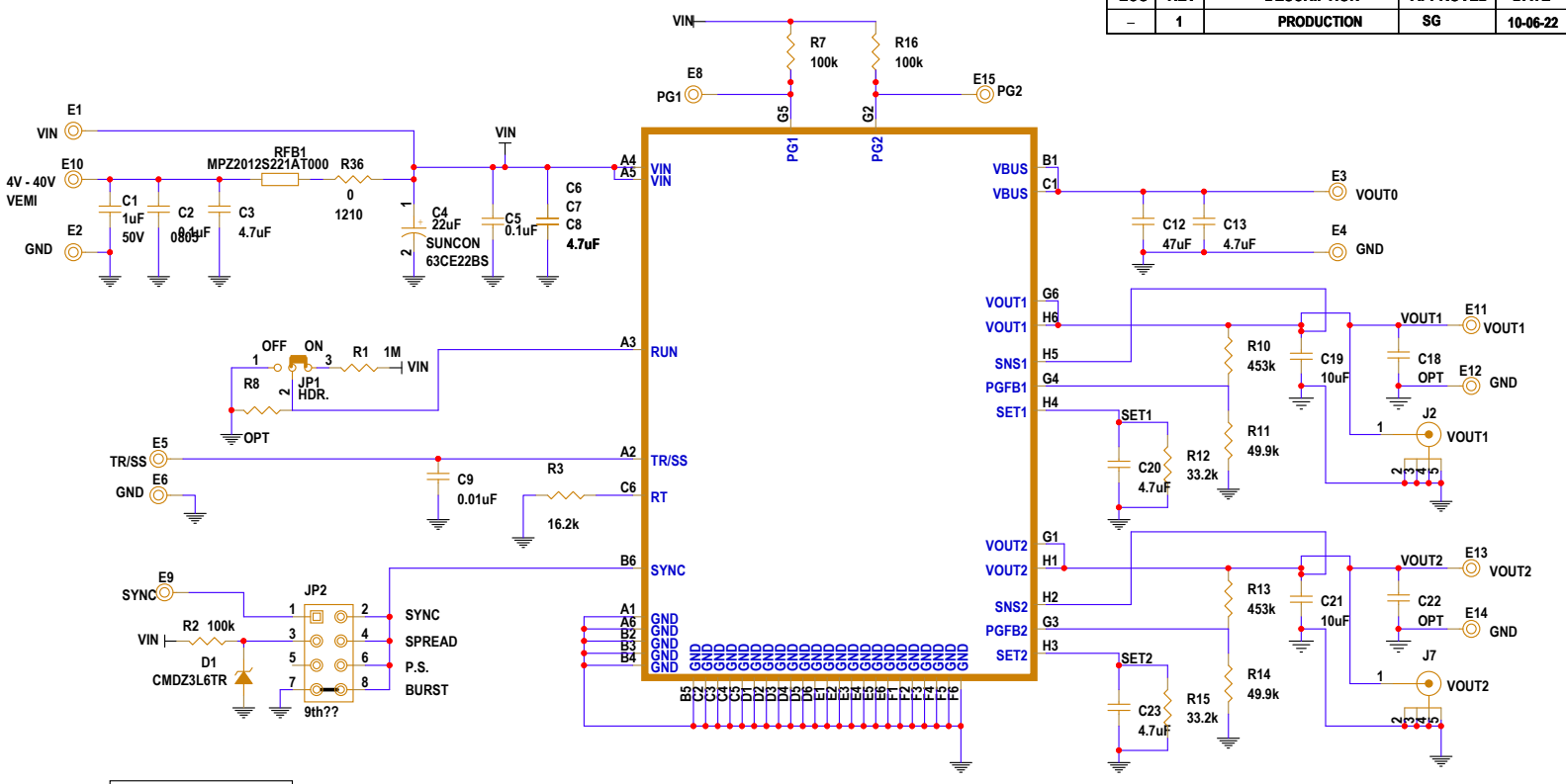


REVISION HISTORY				
ECO	REV	DESCRIPTION	APPROVED	DATE
-	1	PRODUCTION	SG	10-06-22





For parallel operation:  
 R17  
 VOUT1 VOUT2  
 OPT  
 R18  
 SET1 SET2  
 OPT

NOTES: UNLESS OTHERWISE SPECIFIED  
 1. ALL RESISTORS AND CAPACITORS ARE 0603.

**CUSTOMER NOTICE**  
 ANALOG DEVICES HAS MADE A BEST EFFORT TO DESIGN A CIRCUIT THAT MEETS CUSTOMER-SUPPLIED SPECIFICATIONS; HOWEVER, IT REMAINS THE CUSTOMER'S RESPONSIBILITY TO VERIFY PROPER AND RELIABLE OPERATION IN THE ACTUAL APPLICATION. COMPONENT SUBSTITUTION AND PRINTED CIRCUIT BOARD LAYOUT MAY SIGNIFICANTLY AFFECT CIRCUIT PERFORMANCE OR RELIABILITY. CONTACT ANALOG DEVICES APPLICATIONS ENGINEERING FOR ASSISTANCE.

THIS CIRCUIT IS PROPRIETARY TO ANALOG DEVICES AND SUPPLIED FOR USE WITH ANALOG DEVICES PARTS.

APPROVALS	
PCB DES.	HZ
APP ENG.	SG

 	
www.analog.com Phone: (408)432-1900	
TITLE: SCHEMATIC	
STEP DOWN SILENT SWITCHER μMODULE REGULATOR	
IC NO. LTM8080	SCHEMATIC NO. AND REVISON: 710-DC3071A_REV01
SKU NO. DC3071A	
SIZE: N/A	DATE:
	SHEET 1 OF 1