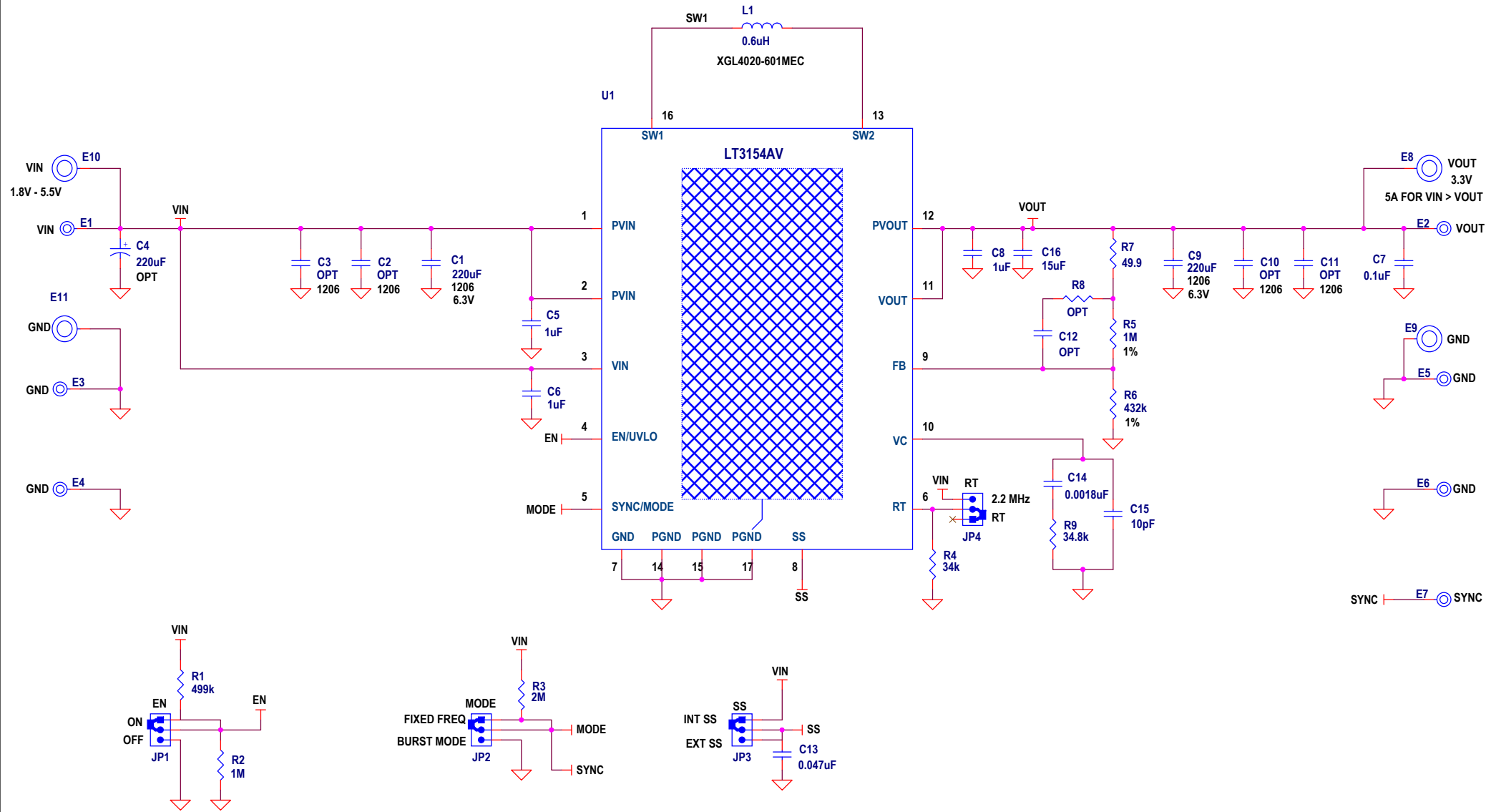



REVISION HISTORY				
ECO	REV	DESCRIPTION	APPROVED	DATE
-	03	PRODUCTION	06-22-21	AF



MP1	STANDOFF,NYLON,SNAP-ON,0.25" (6.4mm)
MP2	STANDOFF,NYLON,SNAP-ON,0.25" (6.4mm)
MP3	STANDOFF,NYLON,SNAP-ON,0.25" (6.4mm)
MP4	STANDOFF,NYLON,SNAP-ON,0.25" (6.4mm)
LB1	LABEL
PCB1	PCB, DC2757A REV02

NOTE: UNLESS OTHERWISE SPECIFIED
 1. ALL RESISTORS ARE ±1%, 0402.
 ALL CAPACITORS ARE 0402.

CUSTOMER NOTICE		APPROVALS		 www.analog.com				
ANALOG DEVICES HAS MADE A BEST EFFORT TO DESIGN A CIRCUIT THAT MEETS CUSTOMER-SUPPLIED SPECIFICATIONS; HOWEVER, IT REMAINS THE CUSTOMER'S RESPONSIBILITY TO VERIFY PROPER AND RELIABLE OPERATION IN THE ACTUAL APPLICATION. COMPONENT SUBSTITUTION AND PRINTED CIRCUIT BOARD LAYOUT MAY SIGNIFICANTLY AFFECT CIRCUIT PERFORMANCE OR RELIABILITY. CONTACT ANALOG DEVICES APPLICATIONS ENGINEERING FOR ASSISTANCE.		PCB DES.	NJC			TITLE: SCHEMATIC 3.3V 6A LOW NOISE HIGH PERFORMANCE BUCK-BOOST CONVERTER IC NO. LT3154 SKU NO. DC2757A SCHEMATIC NO. AND REVISION: 710-DC2757A_REV03		
		APP ENG.	AF					
		THIS CIRCUIT IS PROPRIETARY TO ANALOG DEVICES AND SUPPLIED FOR USE WITH ANALOG DEVICES PARTS.		SIZE: N/A	DATE: 06/22/21			SHEET 1 OF 1