

6

5

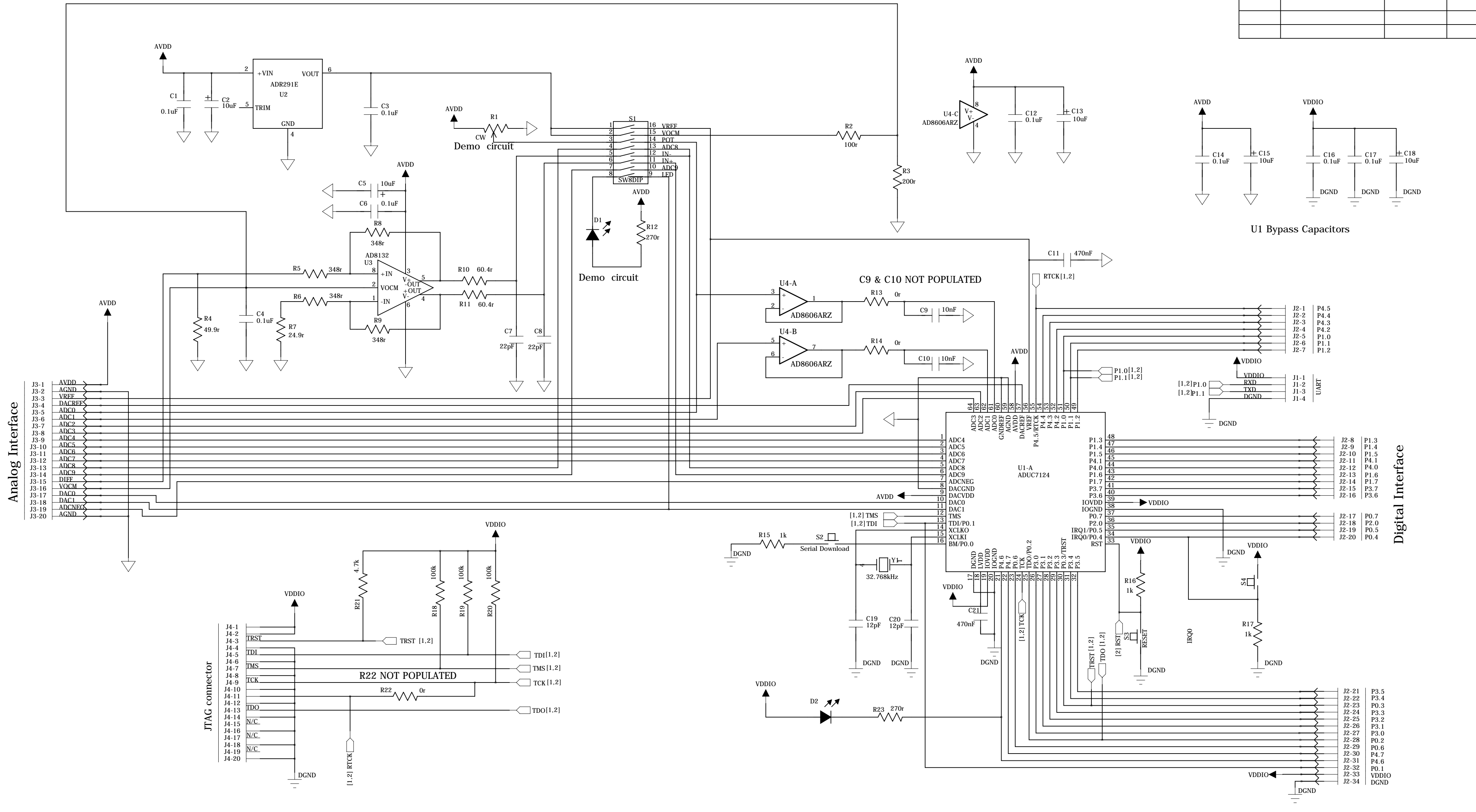
4

3

2

1

REVISION RECORD			
LTR	ECO NO:	APPROVED:	DATE:



U1 Bypass Capacitors

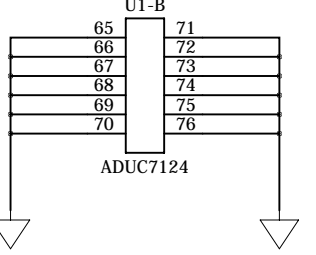
Digital Interface

Analog Interface

JTAG connector

R22 NOT POPULATED

C9 & C10 NOT POPULATED



COMPANY: ADI		TITLE: EVAL-ADUC7124	
DRAWN:	DATED:	CODE:	SIZE:
CHECKED:	DATED:	DRAWING NO:	REV: C
QUALITY CONTROL:	DATED:	SCALE:	
RELEASED:	DATED:	SHEET: 1 OF 2	

6

5

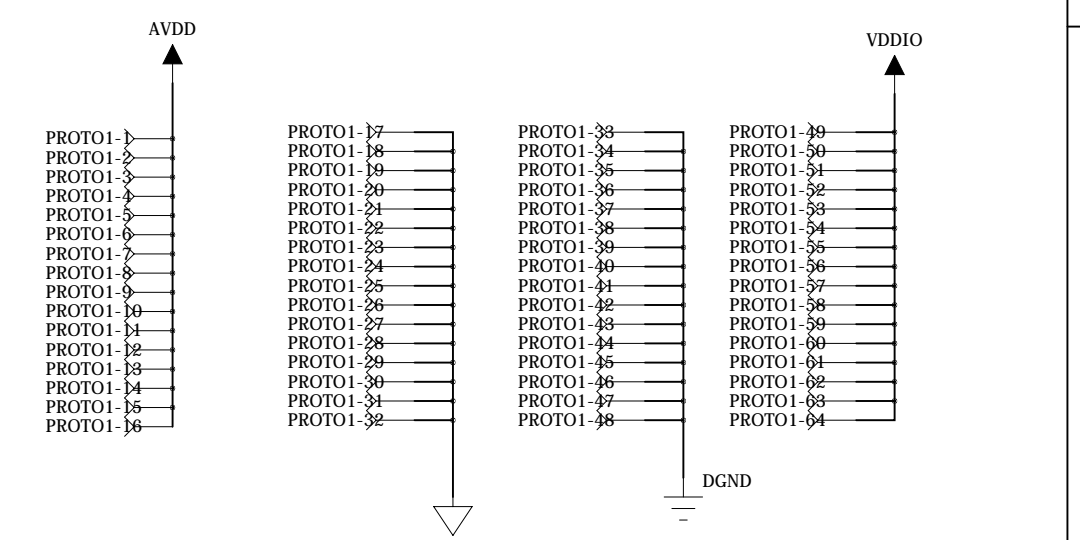
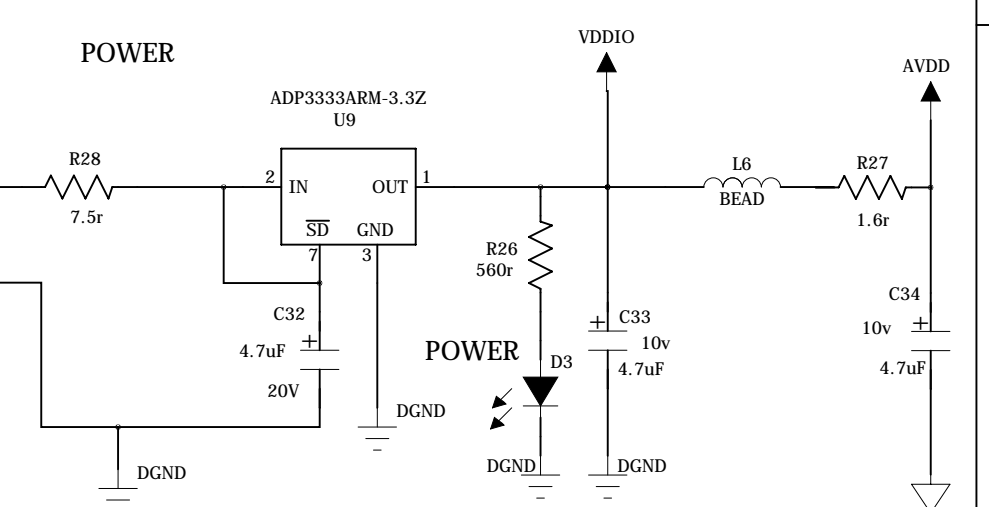
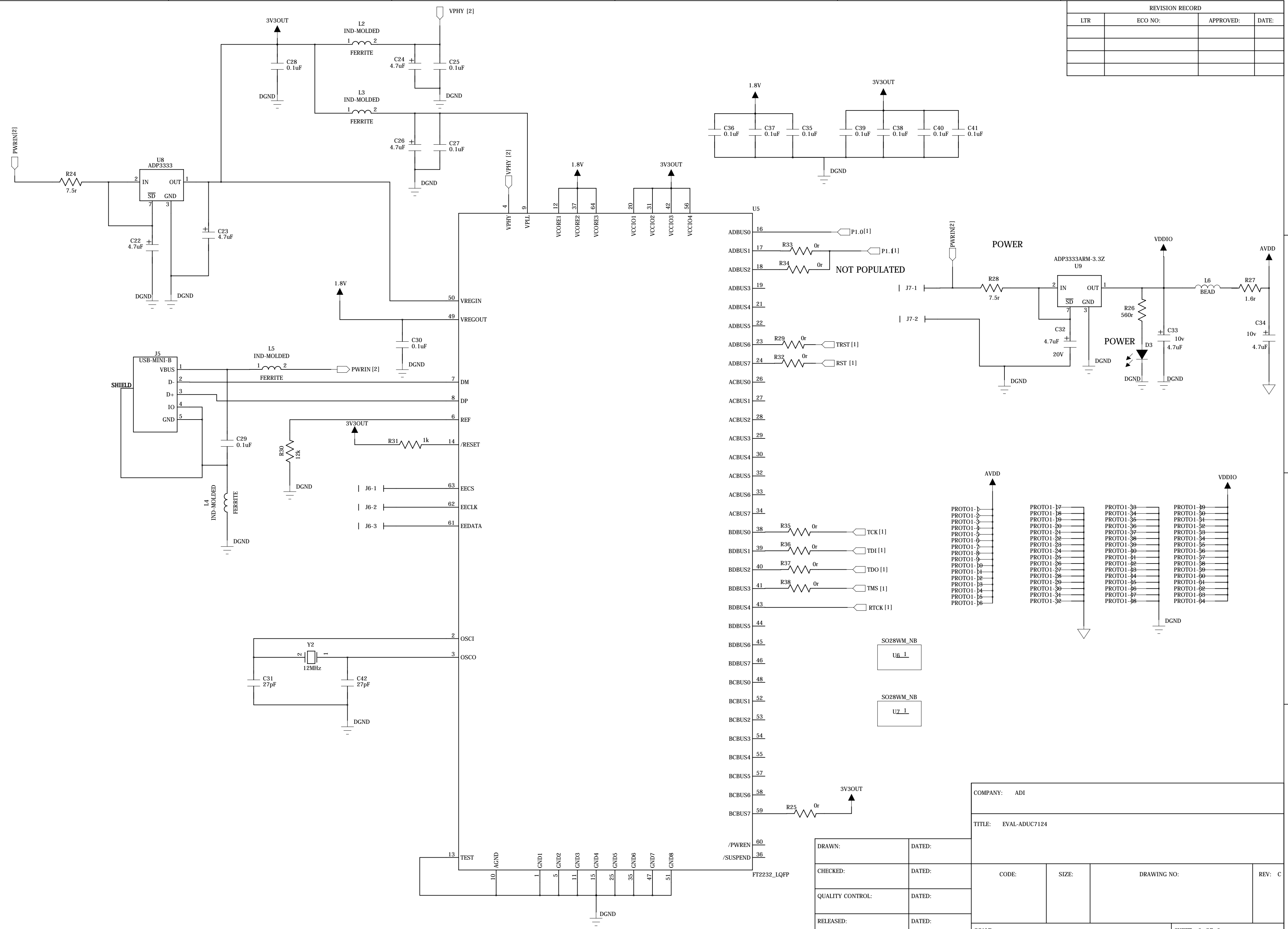
4

3

2

1

REVISION RECORD			
LTR	ECO NO:	APPROVED:	DATE:



COMPANY: ADI			
TITLE: EVAL-ADUC7124			
CODE:	SIZE:	DRAWING NO:	REV: C
SCALE:			SHEET: 2 OF 2

DRAWN:	DATED:
CHECKED:	DATED:
QUALITY CONTROL:	DATED:
RELEASED:	DATED:

D

D

C

C

B

B

A

A