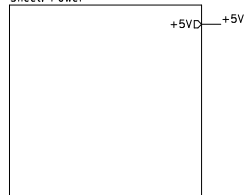


Strommessboards revision history:

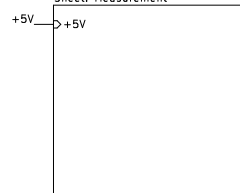
- Version 1.0

Sheet: Power



File: Power.sch

Sheet: Measurement



File: Measurement.sch



Trinamic 00

Sheet: /

File: TMCM-0013-6A v1.0.sch

Title: Current sense board 2A

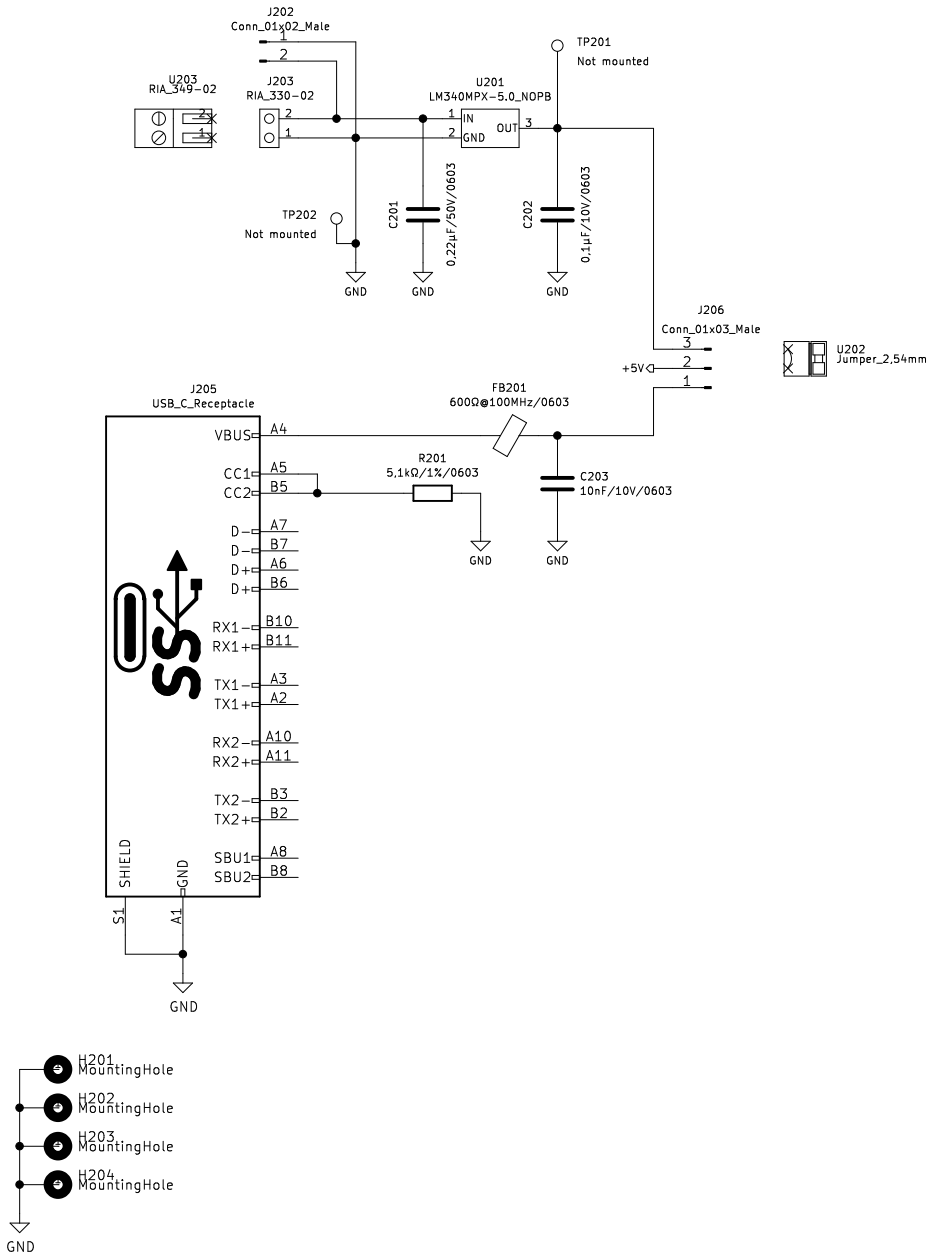
Size: A4


Date: 2018-12-28

Rev: 1.0

KiCad E.D.A. kicad (5.1.0-rc2-4-g73f0b3087)

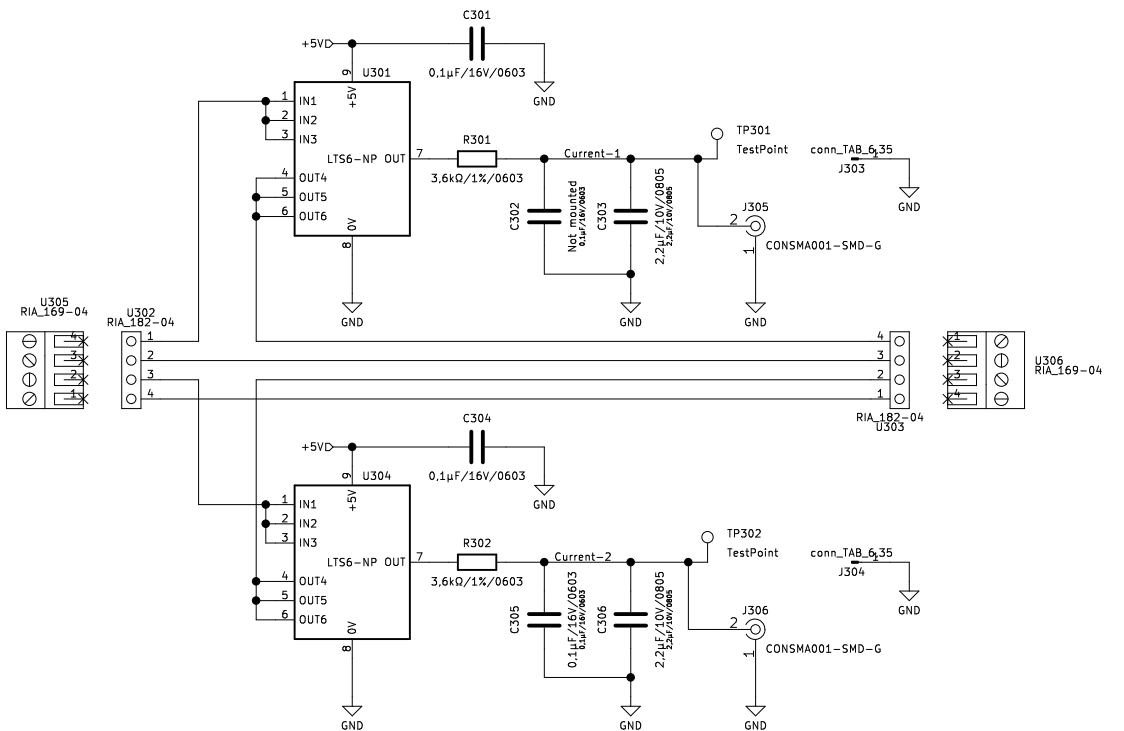
Id: 1/3





TRINAMIC
MOTION CONTROL

| | | |
|---|------------------|-----------------|
| Trinamic 00 | | |
| Sheet: /Power/ | | |
| File: Power.sch | | |
| Title: Current sense board 2A | | |
| Size: A4 | Date: 2018-12-28 | Rev: 1.0 |
| KiCad E.D.A. kicad (5.1.0-rc2-4-g73f0b3087) | | Id: 2/3 |



Trinamic 00

Sheet: /Measurement/
File: Measurement.sch

Title: Current sense board 2A

Size: A4 Date: 2018-12-28
KiCad E.D.A. kicad (5.1.0-rc2-4-g73f0b3087)

Rev: 1.0
Id: 3/3