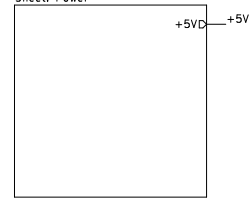


Strommessboards revision history:

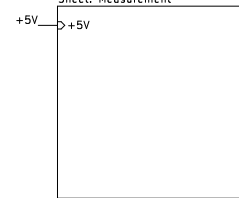
- Version 1.0

Sheet: Power



File: Power.sch

Sheet: Measurement



File: Measurement.sch



Trinamic 00

Sheet: /

File: TMCM-0013-3A v1.0.sch

Title: Current sense board 3A

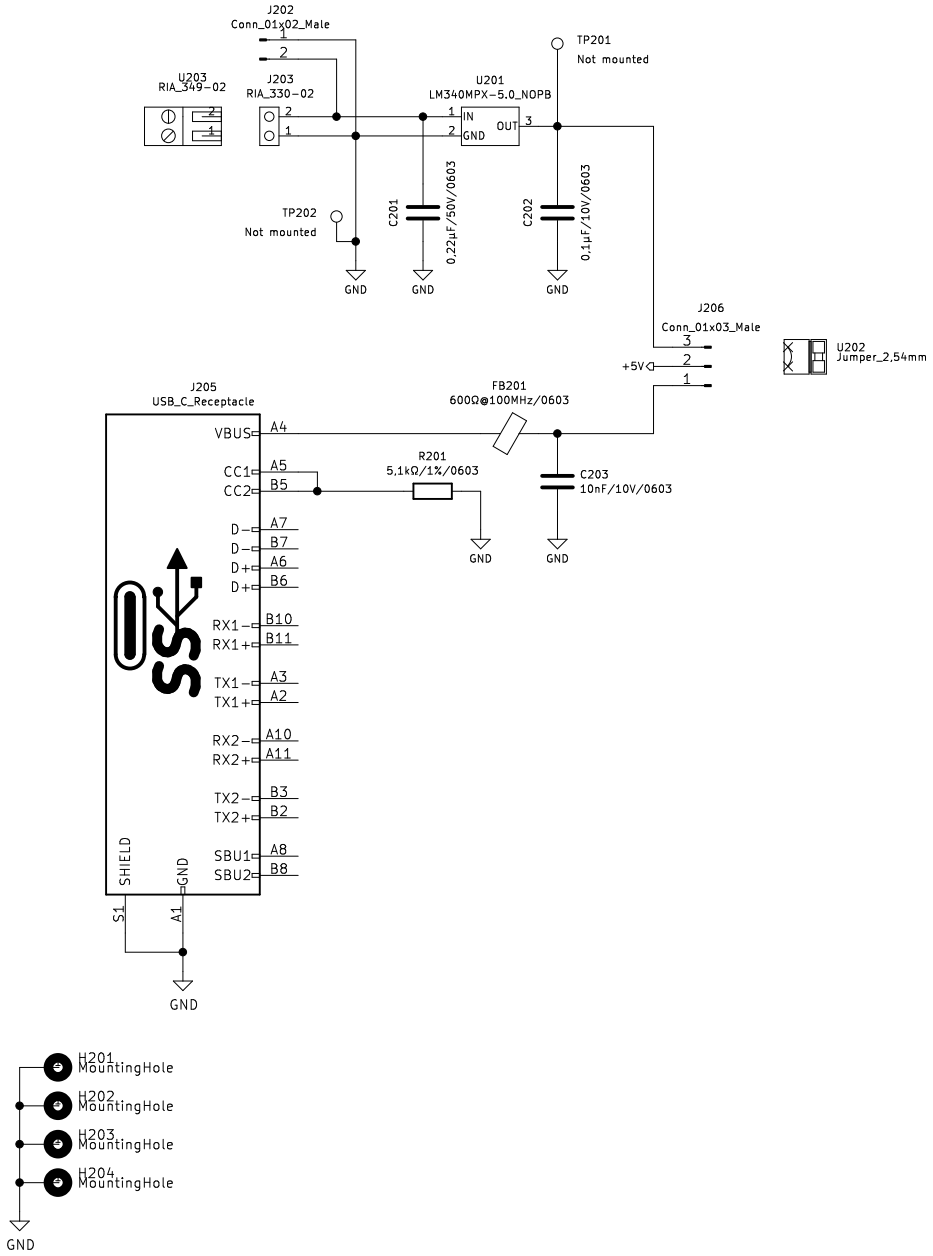
Size: A4


Date: 2018-12-28

Rev: 1.0

KiCad E.D.A. kicad (5.1.0-rc2-4-g73f0b3087)

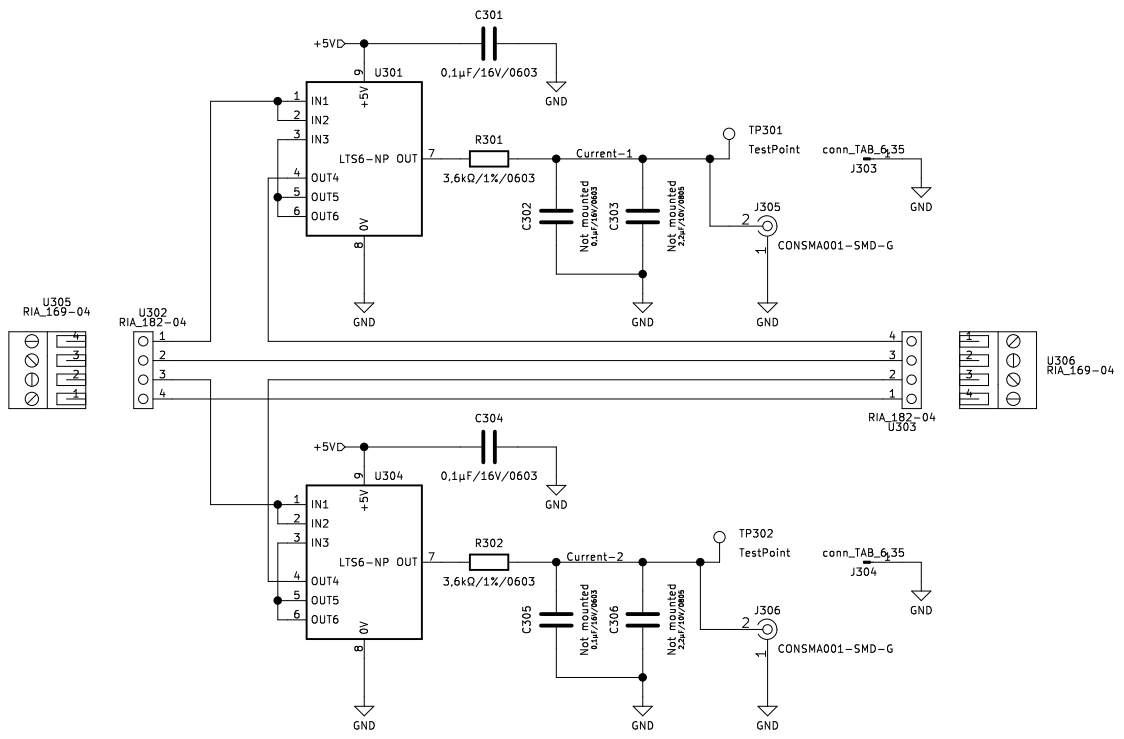
Id: 1/3





TRINAMIC
MOTION CONTROL

Trinamic 00		
Sheet: /Power/		
File: Power.sch		
Title: Current sense board 3A		
Size: A4	Date: 2018-12-28	Rev: 1.0
KiCad E.D.A. kicad (5.1.0-rc2-4-g73f0b3087)		Id: 2/3



Trinamic 00

Sheet: /Measurement/
File: Measurement.sch

Title: Current sense board 3A

Size: A4 Date: 2018-12-28
KiCad E.D.A. kicad (5.1.0-rc2-4-g73f0b3087)

Rev: 1.0
Id: 3/3