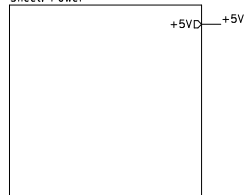


Strommessboards revision history:

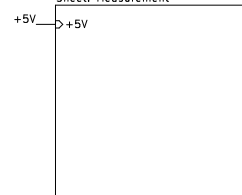
- Version 1.0

Sheet: Power



File: Power.sch

Sheet: Measurement



File: Measurement.sch



Trinamic 00

Sheet: /

File: TMCM-0013-2A v1.0.sch

**Title: Current sense board 2A**

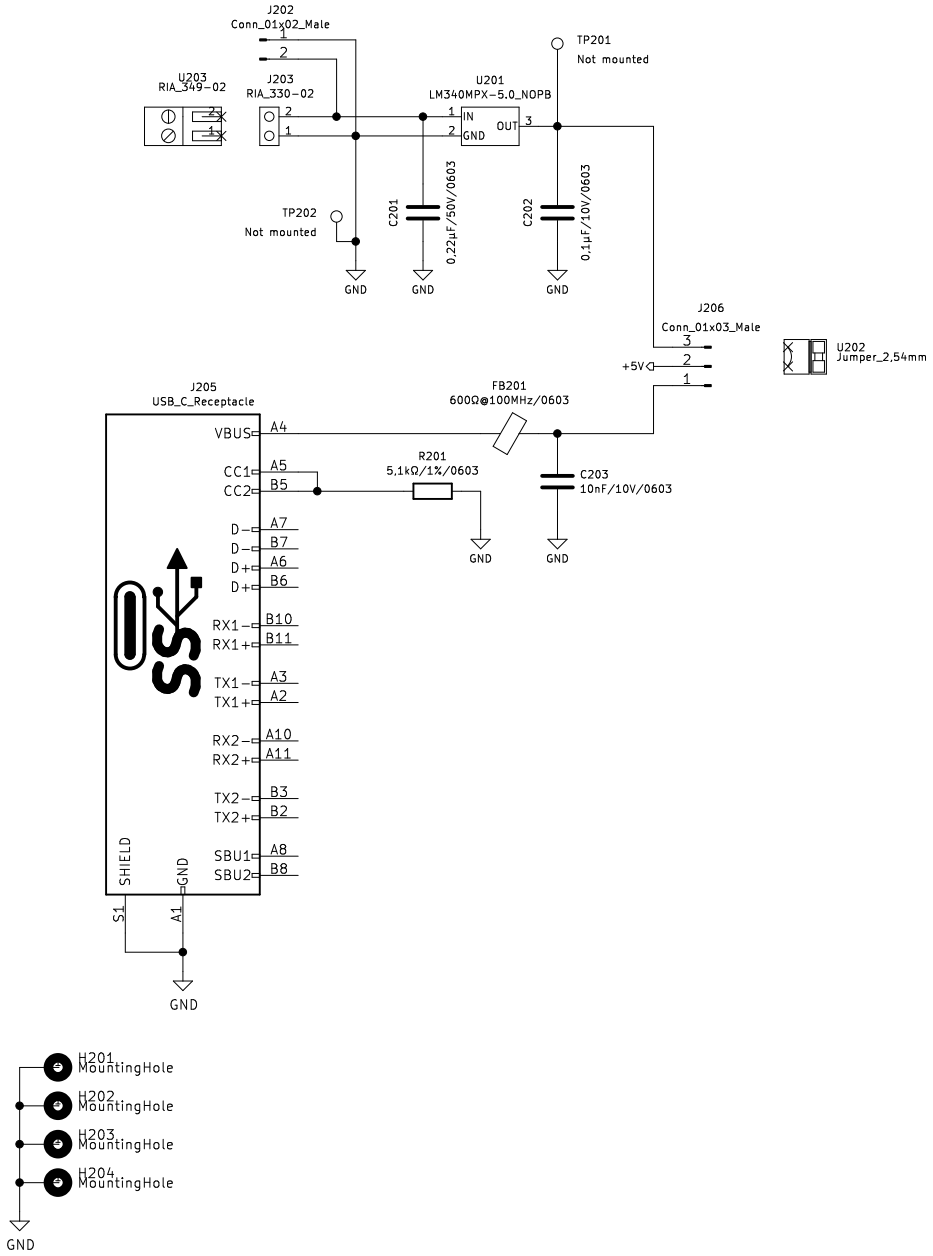
Size: A4


Date: 2018-12-28

Rev: 1.0

KiCad E.D.A. kicad (5.1.0-rc2-4-g73f0b3087)

Id: 1/3





**TRINAMIC**  
MOTION CONTROL

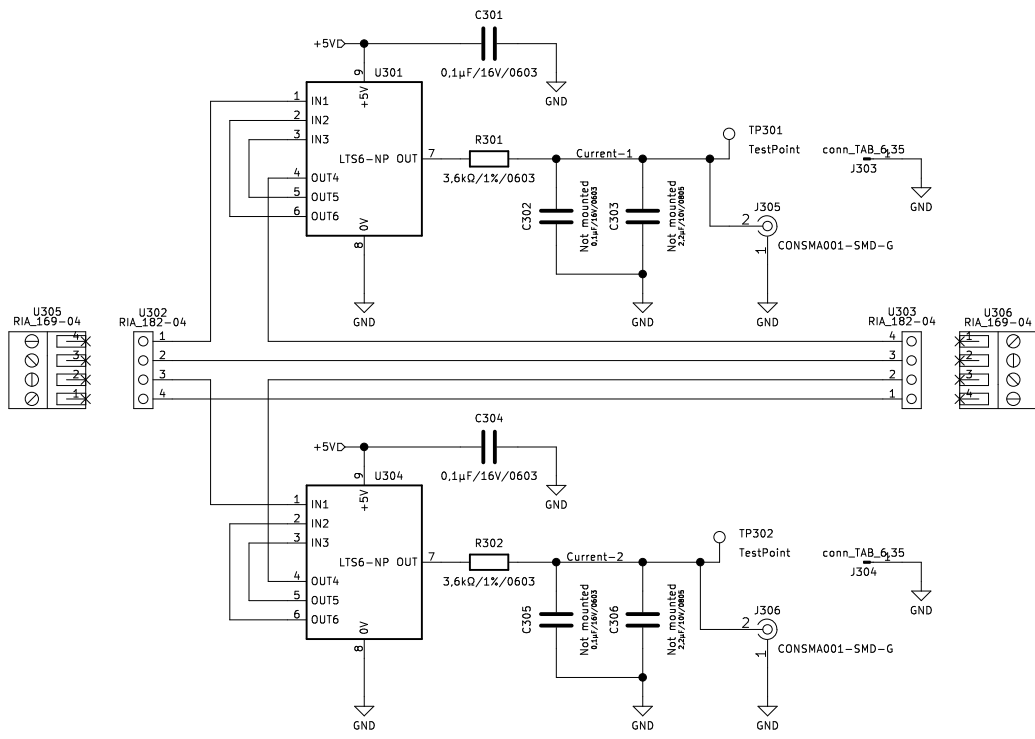
---

**Trinamic 00**  
 Sheet: /Power/  
 File: Power.sch

---

**Title: Current sense board 2A**

Size: A4	Date: 2018-12-28	<b>Rev: 1.0</b>
KiCad E.D.A. kicad (5.1.0-rc2-4-g73f0b3087)		Id: 2/3



Trinamic 00

Sheet: /Measurement/  
File: Measurement.sch

**Title: Current sense board 2A**

Size: A4 Date: 2018-12-28  
KiCad E.D.A. kicad (5.1.0-rc2-4-g73f0b3087)

Rev: 1.0  
Id: 3/3