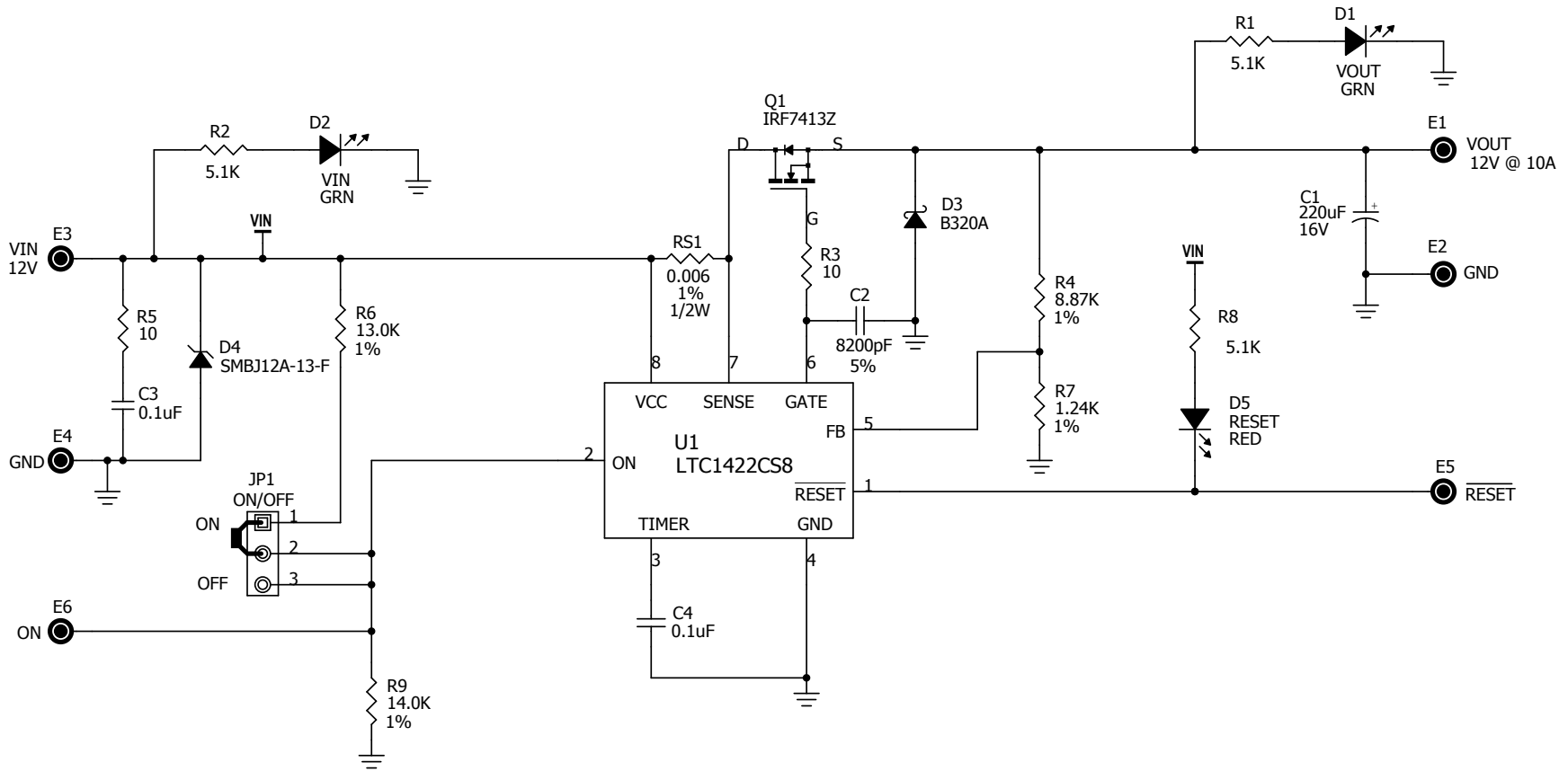


REVISION #				REVISION HISTORY		
SD	PC	FD	AD	DESCRIPTION	DATE	APPROVED
0	0	0	0	1st Release		
2	1	1	1	Value Change: C2, C4 & RS1.	06/10/09	Vlad Ostrerov
3	1	1	1	R8-2 (From VOUT to VIN)	07/31/09	Vlad Ostrerov



This circuit is proprietary to Linear Technology and supplied for use with Linear Technology parts.
Customer Notice: Linear Technology has made a best effort to design a circuit that meets customer-supplied specifications; however, it remains the customer's responsibility to verify proper and reliable operation in the actual application. Component substitution and printed circuit board layout may significantly affect circuit performance or reliability. Contact Linear Applications Engineering for assistance.

APPROVALS		LINEAR TECHNOLOGY CORPORATION	
DRAWN: Rudy Bautista		1630 McCARTHY BLVD	
ENGINEER: Vlad Ostrerov		MILPITAS, CA. 95035	
APPROVED:		(408)432-1900	
CHECKED:		(408)434-0507 (FAX)	
Date: Tuesday, August 04, 2009		www.linear.com	
		LTC Confidential - For Customer Use Only	
		Title LTC1422CS8	
		Hot Swap Controller	
		Document Number	
		DEMO CIRCUIT 1357A	
		Rev 3	
		Sheet 1 of 1	