



**DOCUMENT TYPE:** POD

**DOCUMENT ID #:** 21-100746

**REVISION:** A-000

**DOCUMENT TITLE:** PACKAGE OUTLINE, 20L, TQFN-CU 3.5X3.5X0.

**EFFECTIVE DATE:** 02/11/2024

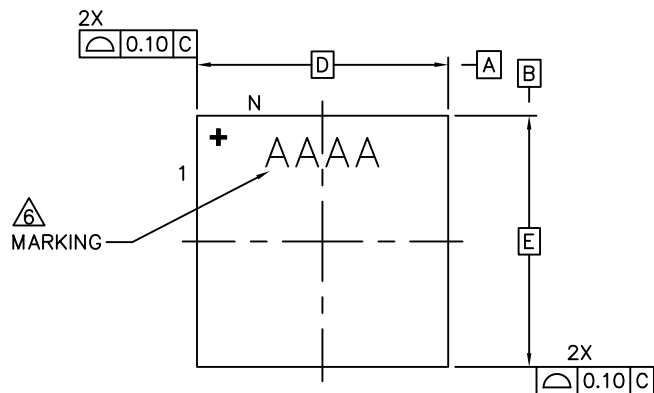
**EXPIRATION DATE:**

**CHANGE NUMBER:** 1201644

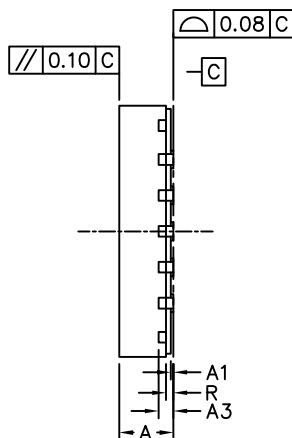
**ORIGINATOR:** Chuck Xia

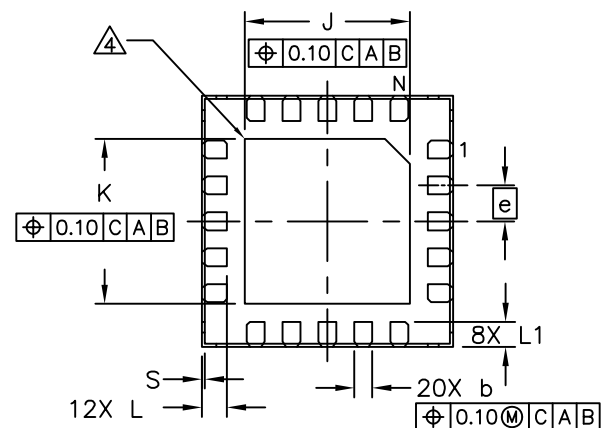
**REASON FOR CHANGE:**  
INITIAL RELEASE



TOP VIEW



SIDE VIEW



BOTTOM VIEW

NOTES:

1. ALL DIMENSION AND TOLERANCE CONFORM TO ASME Y14.5M-1994.
2. ALL DIMENSION ARE IN MILLIMETERS UNLESS OTHERWISE SPECIFIED.
3. N IS THE TOTAL NUMBER OF TERMINALS.
4. BILATERAL COPLANARITY ZONE APPLIES TO THE EXPOSED PAD AS WELL AS THE TERMINALS.
5. ALL DIMENSION APPLY TO BOTH LEADED (-) AND PbFREE (+) PKG. CODES.
6. MARKING SHOWN IS FOR PACKAGE ORIENTATION REFERENCE ONLY.
7. CONTROLLING DIMENSION: mm.
8. PKG. CODE: T203A3Y+2C.

-DRAWING NOT TO SCALE-

COMMON DIMENSIONS			
DIM	MIN.	NOM.	MAX.
A	0.70	0.75	0.80
A1	0	0.035	0.05
A3	0.203		REF
b	0.20	0.25	0.30
e	0.5		BSC
D	3.5		BSC
E	3.5		BSC
J	2.20	2.3	2.40
K	2.20	2.3	2.40
L	0.30	0.35	0.40
L1	0.25	0.35	0.40
R	---	0.10	---
S	0.01	0.0425	0.075
N	20		

-DRAWING NOT TO SCALE-



TITLE:  
PACKAGE OUTLINE, 20L, TQFN-CU  
3.5X3.5X0.75mm

APPROVAL CHUCK XIA	DOCUMENT CONTROL NO. 21-100746	REV. A	1/1
-----------------------	-----------------------------------	-----------	-----

