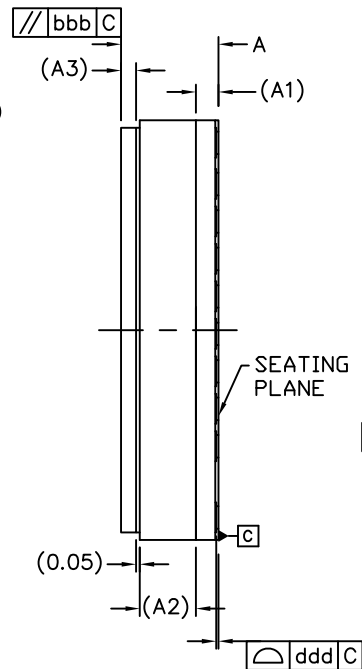
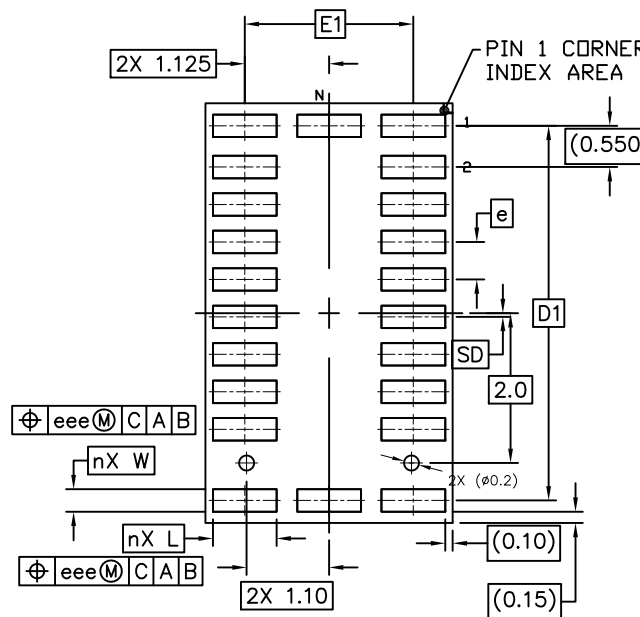


TOP VIEW



SIDE VIEW



BOTTOM VIEW

COMMON DIMENSIONS			
DIM	MIN	NOM	MAX
A	1.2	1.3	1.4
A1	0.3 REF.		
A2	0.75 REF.		
A3	0.2 REF.		
b	0.25	0.30	0.35
D	5.5	5.6	5.7
D1	5.0 BSC		
E	3.2	3.3	3.4
E1	2.25 BSC		
e	0.5 BSC		
L	0.8	0.85	0.9
W	0.25	0.30	0.35
SD	0.05 BSC		
aaa	0.1		
bbb	0.2		
ddd	0.08		
eee	0.1		
N	22		

NOTES:

1. ALL DIMENSIONS ARE IN MILLIMETERS. ANGLES ARE IN DEGREES.
2. DIMENSIONING AND TOLERANCING CONFORME TO ASME Y14.5M - 2009.
3. N IS THE TOTAL NUMBER OF TERMINALS.
4. PIN #1 ID ON TOP WILL BE LASER MARKED.
5. MATERIAL MUST BE COMPLIANT WITH MAXIM SPECIFICATION 10-0131 FOR SUBSTANCE CONTENT, MUST BE EU ROHS COMPLIANT WITHOUT EXEMPTION AND PB-FREE.
6. ALL DIMENSIONS APPLY TO PbFREE (+) PARTS.
7. PACKAGE CODES: F223A5+1, F223A5MK+1, F223B5+1, F223C5+1, F223C5MK+1



TITLE:
PACKAGE OUTLINE, 22L QLGA,
3.3x5.6x1.3mm

APPROVAL

DOCUMENT CONTROL NO.
21-100071

REV. F 1/1