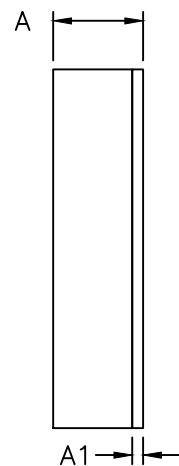
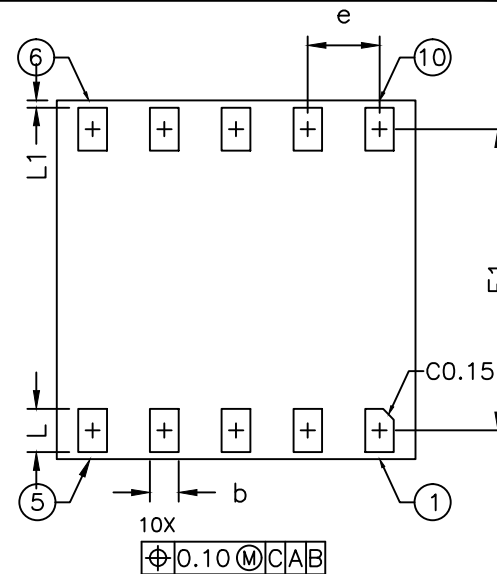


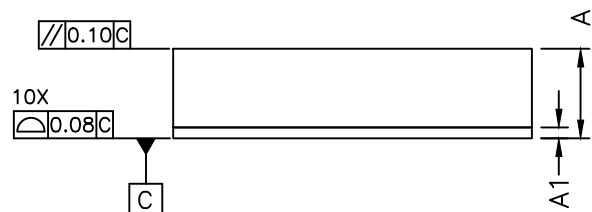
TOP VIEW



SIDE VIEW



BOTTOM VIEW



SIDE VIEW

COMMON DIMENSIONS			
DIM	MIN	NOM	MAX
A	1.15	1.25	1.35
A1	0.15 REF.		
b	0.35	0.40	0.45
D	4.90	5.00	5.10
E	4.90	5.00	5.10
E1	4.20 REF.		
e	1.00 BSC		
L	0.50	0.60	0.70
L1	0.10 REF.		
N	10		

NOTES:

1. ALL DIMENSIONS ARE IN mm. ANGLES IN DEGREES.
2. COPLANARITY APPLIES TO THE EXPOSED PAD AS WELL AS THE TERMINALS.
COPLANARITY SHALL NOT EXCEED 0.08 mm.
3. WARPAGE SHALL NOT EXCEED 0.10 mm.
4. PACKAGE LENGTH / PACKAGE WIDTH ARE CONSIDERED AS SPECIAL CHARACTERISTIC.(S)
5. Pb FREE PACKAGE
6. PACKAGE CODE: L1055M+1, L1055M+2, L1055M+2C

-DRAWING NOT TO SCALE-



TITLE:
PACKAGE OUTLINE, 10L LGA
5x5x1.25mm

APPROVAL
RDHINI KESAVAN

DOCUMENT CONTROL NO.
21-100481

REV. 1/1
C