



双输出、多模式、 CD-RW/DVD激光二极管驱动器

MAX9483/MAX9484

概述

MAX9483/MAX9484是高性能、多模式激光二极管驱动器 (LDD)，专为 CD和 DVD组合拾取头而设计。该驱动器具有三个输入通道、一个RF振荡器以及两路精密电流放大器输出，用来驱动 CD和 DVD激光二极管。通过选择写控制信号和输入通道中的输入电流，MAX9483/MAX9484可支持多种 CD和 DVD读/写标准，例如 CD-R/RW、DVD-R、DVD+R、DVD-RW、DVD+RW和 DVD-RAM。峰值总输出电流为400mA，各通道的电流增益为 100。利用外接电阻可设定振荡频率和输出振幅。MAX9484还增加了一个外接电阻引脚，允许单独设定两路输出的振荡频率。另外，MAX9484能够接受低压差分信号 (LVDS)模式或单端模式的写控制信号，以获得可靠的高速写操作。

MAX9483采用 16引脚 QSOP封装和 4mm x 4mm、16引脚的薄型 QFN封装。MAX9484采用 4mm x 4mm、20引脚的薄型 QFN封装。两款芯片的额定工作条件为 4.5V至 5.5V电源和 0°C至 +70°C温度范围。

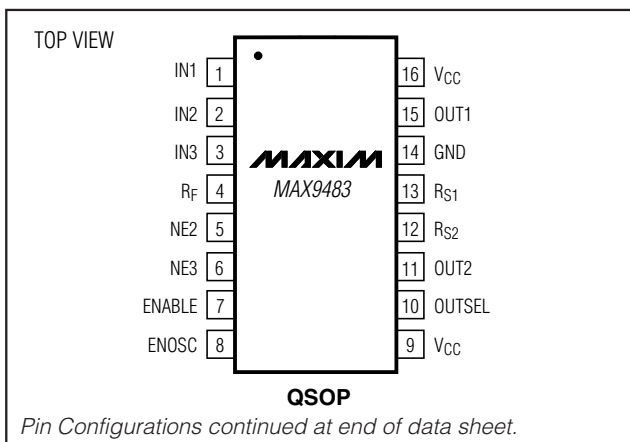
应用

CD-RW和 DVD组合激光二极管驱动器：
CD-R/RW、DVD-R、DVD+R、DVD-RW、
DVD+RW和 DVD-RAM
DVD录像机
大功率、高速激光写装置驱动器

特性

- ◆ 具有三个控制电流通道的双输出端口
- ◆ 支持多种激光二极管驱动器标准：
CD-R/RW、DVD-R、DVD+R、DVD-RW、
DVD+RW、DVD-RAM和 DVD视频
- ◆ MAX9483的引脚和功能与 ATMEL T0806兼容
- ◆ 两个输出口独立设定频率 (MAX9484)
- ◆ 可接受差分 (LVDS)或单端输入的写数据 (MAX9484)
- ◆ 使能控制
- ◆ 振幅高达 270mA的大读取电流
- ◆ 总电流为 400mA的高峰值写电流
- ◆ 可调节调制频率，从 100MHz至 600MHz
- ◆ 极快的输出电流脉冲上升和下降时间：1.0ns (典型值)
- ◆ 4.5V至 5.5V的单电源电压
- ◆ 无需外部基准时钟
- ◆ 0°C至 +70°C的商业级温度范围

引脚配置



订购信息

| PART | TEMP RANGE | PIN-PACKAGE |
|-------------|--------------|-------------|
| MAX9483CEE | 0°C to +70°C | 16 QSOP |
| MAX9483CTE* | 0°C to +70°C | 16 Thin QFN |
| MAX9484CTP | 0°C to +70°C | 20 Thin QFN |

*未来产品—供货状况请联络厂方。



双输出、多模式、 CD-RW/DVD激光二极管驱动器

ABSOLUTE MAXIMUM RATINGS

| | |
|--|-----------------------------------|
| V _{CC} , V _{CCO_} to GND | -0.3V to +6.0V |
| IN ₋ , RF ₋ , RS ₋ to GND..... | -0.3V to (V _{CC} + 0.3V) |
| ENABLE ₋ , ENOSC, NE2 ₋ , NE3 ₋ , OUTSEL to GND..... | -0.3V to (V _{CC} + 0.3V) |
| Output Voltage at OUT1, OUT2..... | -0.3V to (V _{CC} - 1V) |
| Continuous Power Dissipation (T _A = +70°C) | |
| QSOP (derate 8.3mW/°C above +70°C)..... | 667mW |
| TQFN (derate 16.9mW/°C above +70°C)..... | 1349mW |

| | |
|--|-----------------|
| Junction Temperature..... | +150°C |
| Storage Temperature Range | -65°C to +150°C |
| ESD Rating (Human Body Model) | ≥ ±2.0kV |
| Lead Temperature (soldering, 10s)..... | +300°C |

Stresses beyond those listed under "Absolute Maximum Ratings" may cause permanent damage to the device. These are stress ratings only, and functional operation of the device at these or any other conditions beyond those indicated in the operational sections of the specifications is not implied. Exposure to absolute maximum rating conditions for extended periods may affect device reliability.

DC ELECTRICAL CHARACTERISTICS

(V_{CC} = V_{CCO_} = +4.5V to +5.5V, R_L = 6.8Ω, ENABLE = high, NE2 = NE3 = high (MAX9483), NE2₋ = NE3₋ = differential high (MAX9484), ENOSC = low, T_A = 0°C to +70°C, unless otherwise noted. Typical values are at V_{CC} = V_{CCO_} = +5V, T_A = +25°C.) (Notes 1, 2, 4)

| PARAMETER | SYMBOL | CONDITIONS | MIN | TYP | MAX | UNITS |
|---|------------------|---|---------------------------|------|---------------------------|-------|
| POWER SUPPLY | | | | | | |
| Write-Mode Supply Current | I _{CC1} | I _{IN1} = I _{IN2} = I _{IN3} = 500μA, NE2 = NE3 = low | MAX9483 | 181 | 200 | mA |
| | | | MAX9484 | 182 | 210 | |
| Read-Mode Supply Current | I _{CC2} | Oscillator enabled, I _{IN1} = I _{IN2} = I _{IN3} = 500μA, ENOSC = high, R _S = 8.2kΩ, R _F = 6.8kΩ | MAX9483 | 91 | 100 | mA |
| | | | MAX9484 | 92 | 105 | |
| | | | MAX9483 | 82 | 95 | |
| | | | MAX9484 | 83 | 95 | |
| Supply Current | I _{CC3} | Input disabled, I _{IN1} = I _{IN2} = I _{IN3} = 0 | MAX9483 | 14 | 20 | mA |
| | | | MAX9484 | 14 | 20 | |
| Power-Down Supply Current | I _{CC4} | ENABLE = NE2 = NE3 = low, I _{IN1} = I _{IN2} = I _{IN3} = 0 | MAX9483 | 0.96 | 2.0 | mA |
| | | | MAX9484 | 1.2 | 2.0 | |
| DIGITAL INPUTS FOR WRITE CHANNEL CONTROL (NE2, NE3) (MAX9483) | | | | | | |
| High-Level Input Voltage | V _{IH1} | | 2.0 | | | V |
| Low-Level Input Voltage | V _{IL1} | | | | 0.8 | V |
| Input Current | I _{IN1} | V _{IN} = high or low | -20 | | +20 | μA |
| LVDS DIGITAL INPUTS FOR WRITE CHANNEL CONTROL (NE2₋, NE3₋) (MAX9484) | | | | | | |
| Differential Input High Threshold | V _{TH} | | | | 50 | mV |
| Differential Input Low Threshold | V _{TL} | | -50 | | | mV |
| SINGLE-ENDED DIGITAL INPUTS FOR WRITE CHANNEL CONTROL (NE2₊, NE3₊) (MAX9484) | | | | | | |
| Reference Voltage | V _{REF} | | 1.10 | 1.25 | 1.40 | V |
| High-Level Input Voltage | V _{IH2} | | V _{REF} + 300 | | | mV |
| Low-Level Input Voltage | V _{IL2} | | | | V _{REF} - 300 | mV |
| Input Current | I _{IN2} | V _{IN} = high or low | -20 | | +20 | μA |

双输出、多模式、 CD-RW/DVD激光二极管驱动器

MAX9483/MAX9484

DC ELECTRICAL CHARACTERISTICS (continued)

($V_{CC} = V_{CCO_} = +4.5V$ to $+5.5V$, $R_L = 6.8\Omega$, ENABLE = high, NE2 = NE3 = high (MAX9483), NE2_ = NE3_ = differential high (MAX9484), ENOSC = low, $T_A = 0^\circ C$ to $+70^\circ C$, unless otherwise noted. Typical values are at $V_{CC} = V_{CCO_} = +5V$, $T_A = +25^\circ C$.) (Notes 1, 2, 4)

| PARAMETER | SYMBOL | CONDITIONS | MIN | TYP | MAX | UNITS |
|---|--------------|--|-----|------|-----|-----------------|
| DIGITAL INPUTS FOR CONTROL SIGNALS (ENABLE, OUTSEL, ENOSC) | | | | | | |
| High-Level Input Voltage | V_{IH3} | | 2.0 | | | V |
| Low-Level Input Voltage | V_{IL3} | | | | 0.8 | V |
| Input Current | I_{IN3} | $V_{IN} = \text{high or low}$ | -10 | | +10 | μA |
| ANALOG INPUTS (IN1, IN2, IN3) | | | | | | |
| Current Channel Input Current Range | I_{CIN} | Current flowing into IN1, IN2, or IN3 | 0 | | 4.0 | mA |
| Current Channel Input Impedance | R_{IN} | IN_ to GND | 165 | 200 | 235 | Ω |
| OUTPUTS (OUT1 and OUT2) | | | | | | |
| Maximum Total Output Current | I_{OUT} | | 320 | 400 | | mA |
| Maximum Output Current per Channel | I_{OUT} | Read current IN1 | 210 | 273 | | mA |
| | | Write current IN2, IN3 | 250 | 347 | | |
| Best-Fit Current Gain | A_I | Any channel (Note 3) | | 100 | | I/I |
| Best-Fit Current Offset | I_{OFFSET} | Any channel (Note 3) | -4 | | +4 | mA |
| Output Current Linearity | | Any channel (Note 3) | -3 | | +3 | % |
| Output Off Current | I_{OFF1} | ENABLE = low | | 0.2 | 1 | mA |
| | I_{OFF2} | NE2 = NE3 = high, $I_{IN1} = 0\mu A$, $I_{IN2} = I_{IN3} = 500\mu A$ | | 0.22 | 1.5 | |
| | I_{OFF3} | NE2 = NE3 = low, $I_{IN1} = I_{IN2} = I_{IN3} = 0\mu A$ | | 0.14 | 5 | |
| Read-Mode Output Supply Sensitivity | | $I_{OUT} = 40mA$ | -2 | | +2 | %/V |
| Write-Mode Output Supply Sensitivity | | $I_{OUT} = 80mA$ | -2 | | +2 | %/V |
| Read-Mode Output Temperature Sensitivity | | $I_{OUT} = 40mA$ | | 15 | | ppm $^\circ C$ |
| Write-Mode Output Temperature Sensitivity | | $I_{OUT} = 80mA$ | | 16 | | ppm $^\circ C$ |
| Output Noise | | $I_{OUT} = 40mA$, ENOSC = low | | 3 | | nA/ \sqrt{Hz} |

双输出、多模式、 CD-RW/DVD激光二极管驱动器

AC ELECTRICAL CHARACTERISTICS

($V_{CC} = V_{CCO_} = +4.5V$ to $+5.5V$, $I_{OUT} = 40mA$ (read) + $40mA$, $R_L = 6.8\Omega$, ENABLE = high, NE2 = NE3 = high (MAX9483), NE2_ = NE3_ = differential high (MAX9484), ENOSC = low, $T_A = 0^\circ C$ to $+70^\circ C$, unless otherwise noted. Typical values are at $V_{CC} = V_{CCO_} = +5V$, $T_A = +25^\circ C$.) (Notes 1, 4)

| PARAMETER | SYMBOL | CONDITIONS | MIN | TYP | MAX | UNITS |
|------------------------------------|-------------------|---|-----|-----|-----|-----------------|
| OSCILLATOR | | | | | | |
| Oscillator Frequency | f _{OSC} | R _{F_} = 7.5k Ω (Note 2), I _{OUT} = 40mA (read) | 255 | 300 | 350 | MHz |
| Oscillator Temperature Coefficient | | R _{F_} = 7.5k Ω | | 10 | | ppm/ $^\circ C$ |
| OUTPUT TIMING | | | | | | |
| Write Rise Time | t _r | I _{OUT} = 40mA (read) + 40mA (10% to 90%) | | 0.9 | 1.6 | ns |
| Write Fall Time | t _f | I _{OUT} = 40mA (read) + 40mA (90% to 10%) | | 1.0 | 1.6 | ns |
| Output-Current Overshoot | OCO | | | 5 | | % |
| Output ON Propagation Delay | t _{ON} | NE 50% high-low to I _{OUT} at 50% of final value | | 1.0 | 2.0 | ns |
| Output OFF Propagation Delay | t _{OFF} | NE 50% low-high to I _{OUT} at 50% of final value | | 1.0 | 2.0 | ns |
| Output Disable Time | t _{DIS} | ENABLE 50% high-low to I _{OUT} at 50% of final value at I _{OUT} = 40mA (read) | | 60 | 100 | ns |
| Output Enable Time | t _{EN} | ENABLE 50% low-high to I _{OUT} at 50% of final value at I _{OUT} = 40mA (read) | | 60 | 100 | ns |
| Oscillator Disable Time | t _{DISO} | ENOSC 50% high-low to I _{OUT} at 50% of final value at I _{OUT} = 40mA (read) | | 4 | 10 | ns |
| Oscillator Enable Time | t _{EHO} | ENOSC 50% high-low to I _{OUT} at 50% of final value at I _{OUT} = 40mA (read) | | 25 | 50 | ns |
| Channel-Select Delay | t _{ODH} | OUTSEL 50% low-high to I _{OUT} at 50% of final value measured at OUT1 | | 2.9 | 10 | ns |
| | t _{ODL} | OUTSEL 50% high-low to I _{OUT} at 50% of final value measured at OUT2 | | 2.9 | 10 | |

Note 1: Current into a pin is defined as positive. Current out of a pin is defined as negative. All voltages are referenced to ground except V_{TH} .

Note 2: Maximum and minimum limits over temperature are guaranteed by design and characterization. Devices are production tested at $T_A = +25^\circ C$.

Note 3: Linearity of the amplifier is calculated using a best-fit method at three operating points of I_{OUT} at 20mA, 40mA, and 60mA. $I_{OUT} = (I_{IN} \times GAIN) + I_{OFFSET}$.

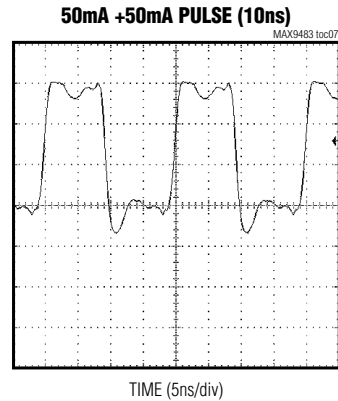
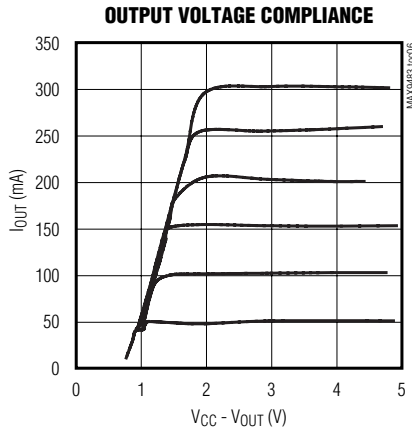
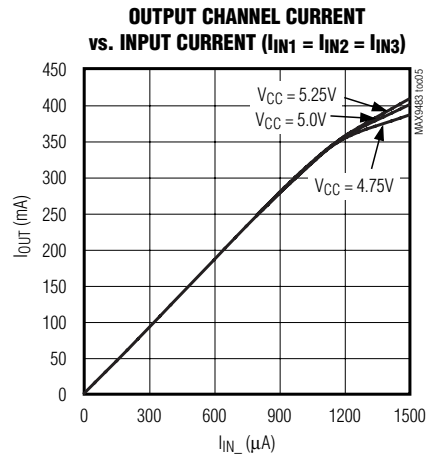
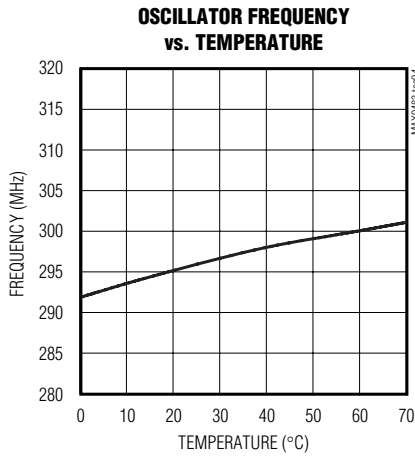
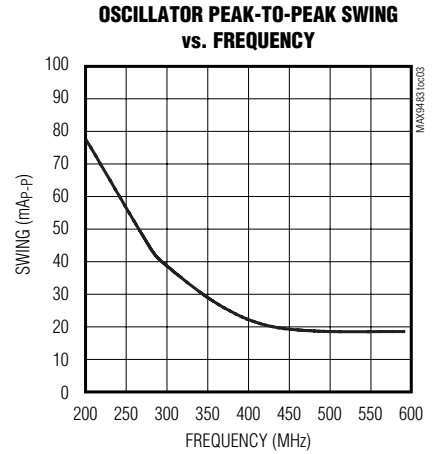
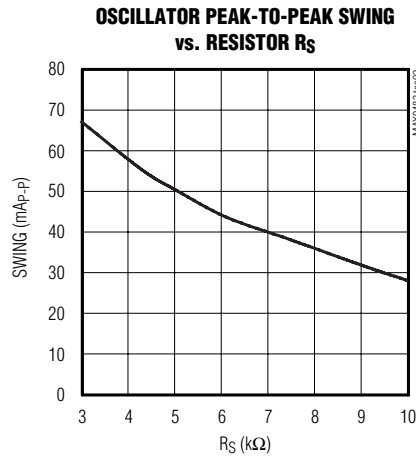
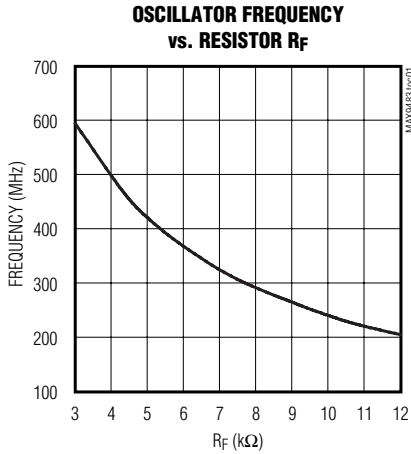
Note 4: Guaranteed by design and characterization. Limit set at ± 6 sigma.

双输出、多模式、 CD-RW/DVD 激光二极管驱动器

典型工作特性

($V_{CC} = V_{CC0} = +5V$, $T_A = +25^\circ C$, unless otherwise noted.)

MAX9483/MAX9484



双输出、多模式、 CD-RW/DVD激光二极管驱动器

引脚说明

| 引脚 | | | 名称 | 功能 |
|---------|------|---------|-------------------|---|
| MAX9483 | | MAX9484 | | |
| QSOP | TQFN | TQFN | | |
| 1 | 15 | 18 | IN1 | 通道 1 输入电流 (读通道) |
| 2 | 16 | 19 | IN2 | 通道 2 输入电流 (写通道) |
| 3 | 1 | 20 | IN3 | 通道 3 输入电流 (写通道) |
| 4 | 2 | — | R _F | 振荡器频率设定电阻。外接一只电阻至 GND，设定两路输出 OUT1 和 OUT2 的振荡器频率。 |
| 5 | 3 | — | NE2 | 通道 2 低电平有效数字控制输入 |
| 6 | 4 | — | NE3 | 通道 3 低电平有效数字控制输入 |
| 7 | 5 | 8 | ENABLE | LVTTL 输出电流使能 |
| 8 | 6 | 9 | ENOSC | LVTTL 振荡器使能 |
| 9, 16 | 14 | 17 | V _{CC} | +5V 电源。连接 0.1μF 和 0.01μF 的旁路电容至 GND，0.01μF 电容应该尽可能靠近该引脚。 |
| 10 | 8 | 11 | OUTSEL | LVTTL 输出选择。拉高则选择输出 1；拉低则选择输出 2。 |
| 11 | 9 | 12 | OUT2 | 输出电流 2 |
| 12 | 10 | 13 | R _{S2} | 输出 2 振荡器电流振幅设定电阻。外接一只电阻至 GND，设定输出端口 2 的电流振幅。 |
| 13 | 11 | 14 | R _{S1} | 输出 1 振荡器电流振幅设定电阻。外接一只电阻至 GND，设定输出端口 1 的电流振幅。 |
| 14 | — | — | GND | 地 |
| 15 | 12 | 15 | OUT1 | 输出电流 1 |
| — | — | 1 | R _{F1} | 输出 1 振荡器频率设定电阻。外接一只电阻至 GND，设定 OUT1 的振荡器频率。 |
| — | — | 2 | R _{F2} | 输出 2 振荡器频率设定电阻。外接一只电阻至 GND，设定 OUT2 的振荡器频率。 |
| — | — | 3 | NE2+ | 通道 2 同相 LVDS 或单端数字控制输入 |
| — | — | 4 | NE2- | 通道 2 反相 LVDS 或单端数字控制输入参照端 |
| — | — | 6 | NE3+ | 通道 3 同相 LVDS 或单端数字控制输入 |
| — | — | 7 | NE3- | 通道 3 反相 LVDS 或单端数字控制输入参照端 |
| — | 7 | 10 | V _{CCO2} | 输出 2 的 +5V 电源。连接 0.1μF 和 0.01μF 的旁路电容至 GND，0.01μF 电容应该尽可能靠近该引脚。 |
| — | 13 | 16 | V _{CCO1} | 输出 1 的 +5V 电源。连接 0.1μF 和 0.01μF 的旁路电容至 GND，0.01μF 电容应该尽可能靠近该引脚。 |
| — | — | 5 | REF | 单端输入的基准电压。连接 0.1μF 退耦电容至地。 |
| — | EP | EP | EP | 裸露垫盘。连接至地。 |

双输出、多模式、 CD-RW/DVD激光二极管驱动器

MAX9483/MAX9484

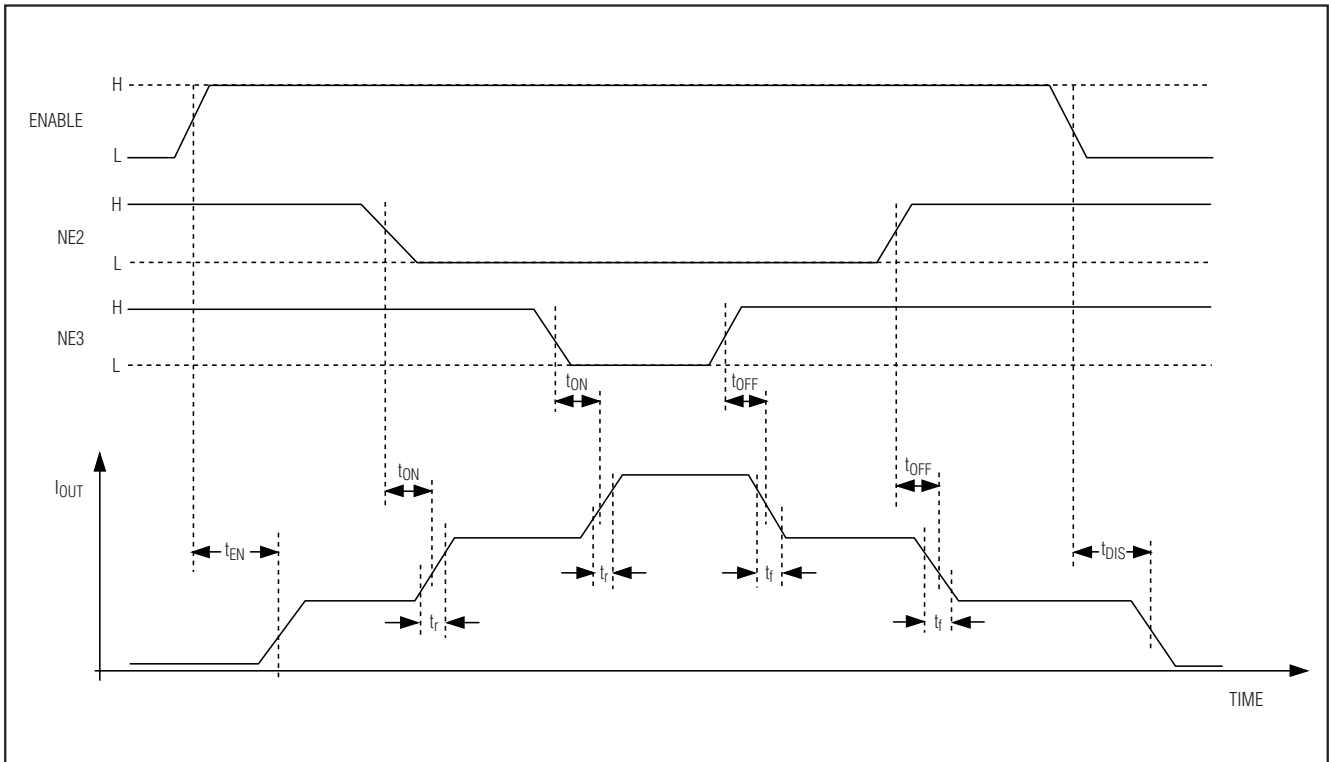


图1. 输出与控制信号时序图

详细说明

读通道和写通道

MAX9483/MAX9484 高性能、多模式 LDD 专为 CD 和 DVD 组合拾取头而设计。该驱动器具有三个电流通道。每个通道有一个电流输入 $IN_{(=1, 2 \text{ 或 } 3)}$ 和一个通道控制信号 (ENABLE、NE2 或 NE3)。IN1 为读通道提供基准，这个通道为激光器提供读电流或偏置电流。另外两个通道是写通道。这两个通道的电流叠加在读电流之上，在写模式下，读电流作为激光器的偏置电流使用。偏置电流明显减少了激光器输出的上升时间。当 ENABLE 为低时，三个通道全部被禁用。将 ENABLE 拉高，则读通道有效，而其他两个写通道由 NE2 和 NE3 控

制 (请参见图 1)。通过选择 IN2 和 IN3 的输入电流，以及 NE2 和 NE3 的信号时序，驱动器可产生满足不同 CD/DVD 写标准的多种电流波形。所有三个通道的电流增益都为 100 倍。每个输出能提供的最大总电流为 400mA。

RF 振荡器

为降低读模式中的激光模式跳跃噪声，利用频率为 100MHz 至 600MHz 的振荡器来调制读电流。外接一只电阻， R_F ，可确定振荡器频率。对于 MAX9484，可外接两只电阻， R_{F1} 和 R_{F2} ，分别选择 CD 和 DVD 激光器的振荡器频率。振荡电流的振幅由两只外接电阻， R_{S1} 和 R_{S2} ，来设定，一只用于 CD，另一只用于 DVD。当 ENABLE 和 ENOSC 均被拉高时，振荡器有效。

双输出、多模式、 CD-RW/DVD激光二极管驱动器

应用信息

激光安全和 IEC 825

MAX9484的LVDS输入

MAX9484的输入控制信号，NE2_和NE3_，兼容于标准的LVDS或单端输入。LVDS输入允许驱动器处理速率更高的数据写操作。当使用单端输入信号时，如LVTTL或SSTL_2，则将NE2-和NE3-连接到REF。

仅依靠MAX9483/MAX9484激光驱动器不能确保所设计的发送器能够遵从IEC 825标准。必须综合考虑整个发送器电路和器件的选择。用户必须明确他们的应用所要求的容错级别。请注意，Maxim产品并没有被设计或认证用于人体植入系统、生命支持和维持系统或任何其他可能会因Maxim产品的失效而导致人身伤亡的系统中。

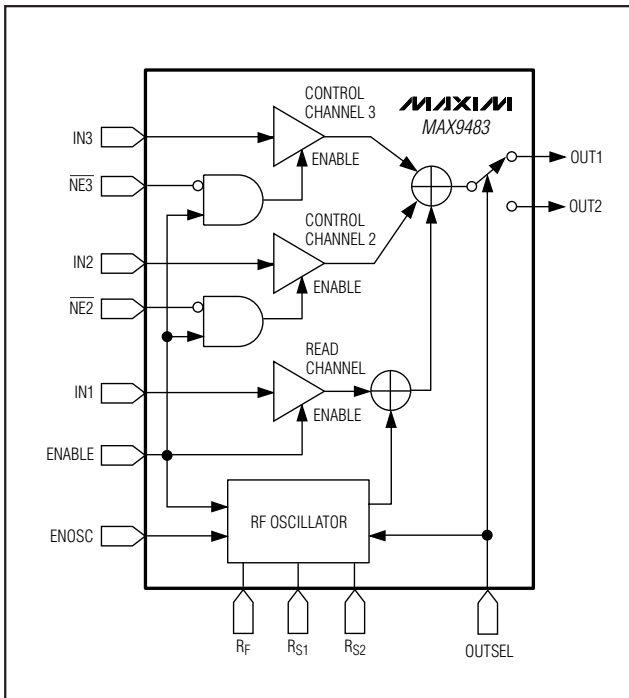


图2. MAX9483 功能图

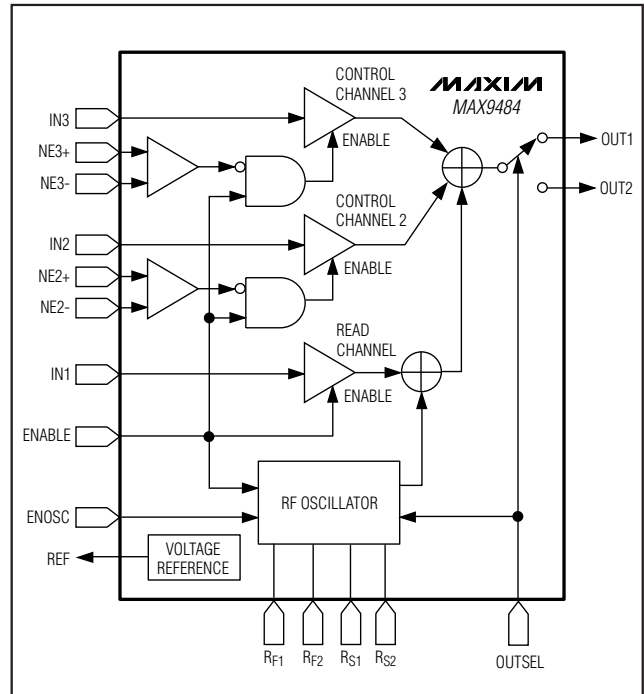


图3. MAX9484 功能图

双输出、多模式、 CD-RW/DVD 激光二极管驱动器

MAX9483/MAX9484

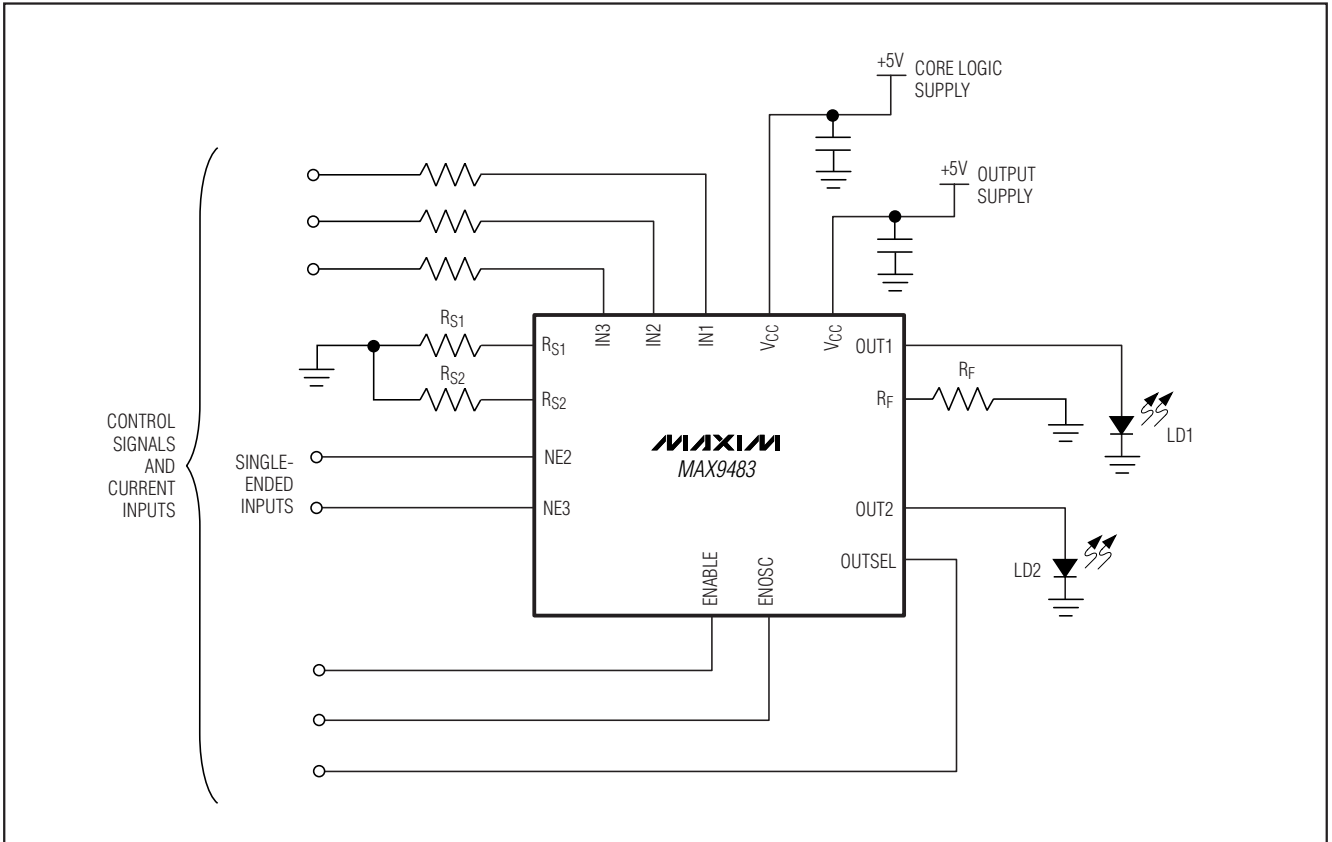


图4. MAX9483 典型工作电路图

双输出、多模式、 CD-RW/DVD激光二极管驱动器

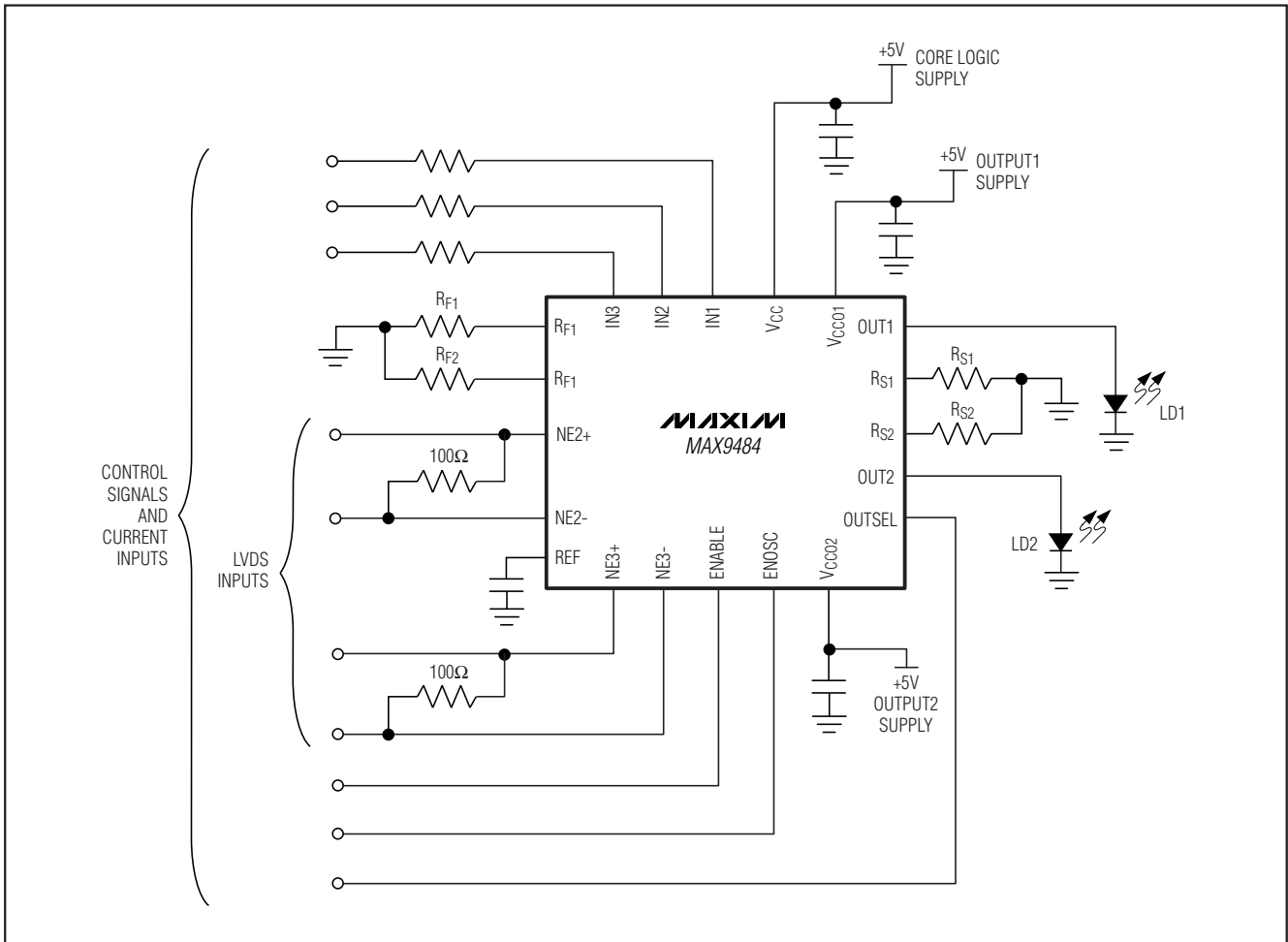


图5. LVDS输入的MAX9484典型工作电路图

双输出、多模式、 CD-RW/DVD 激光二极管驱动器

MAX9483/MAX9484

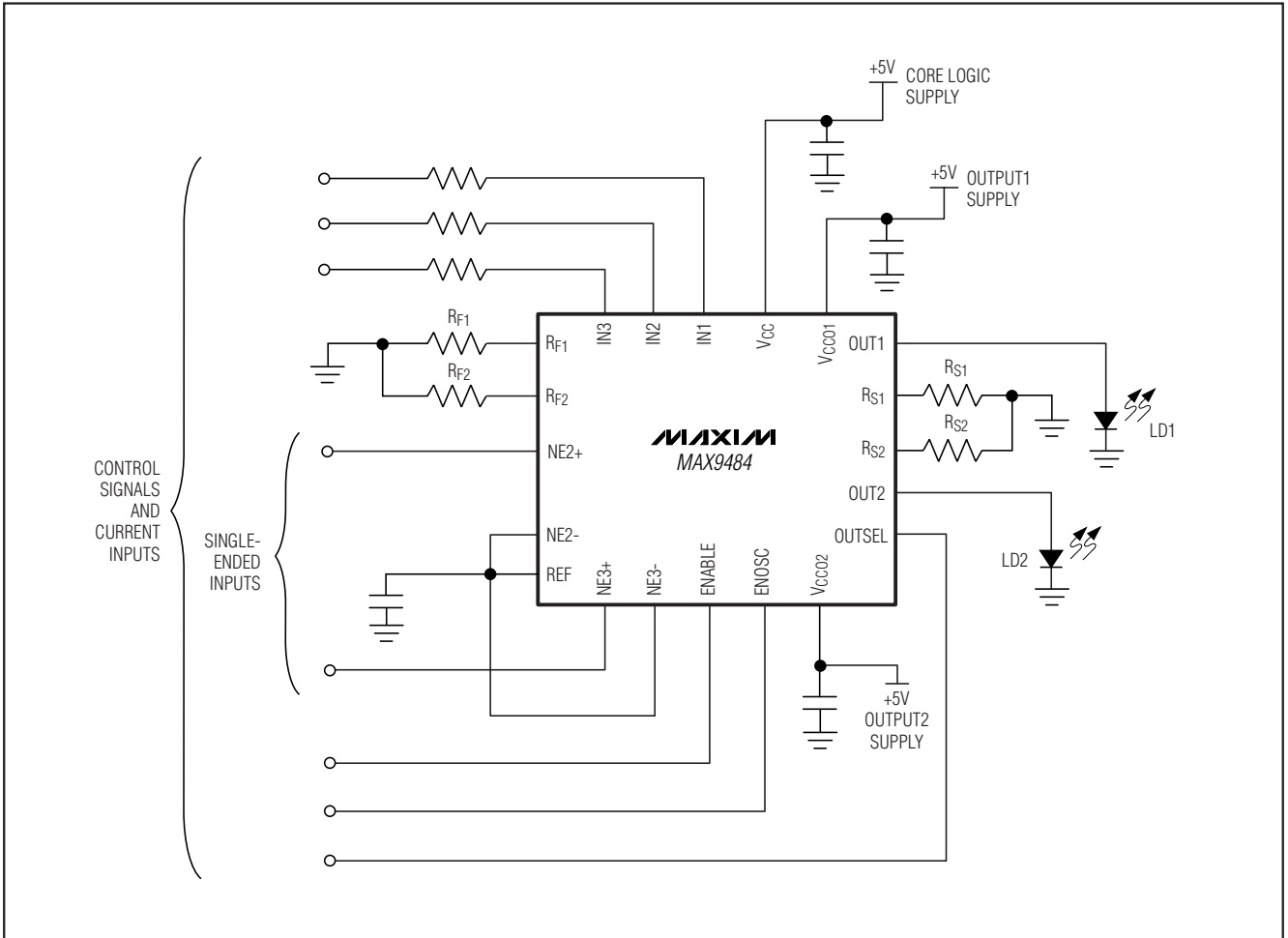
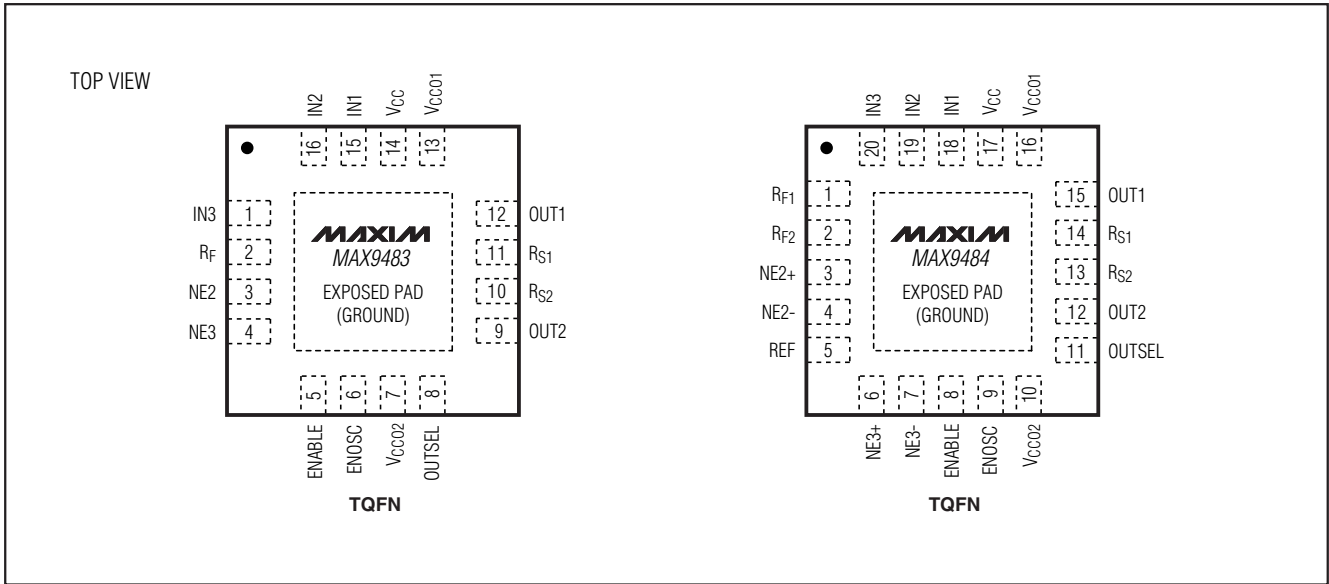


图6. 单端输入的MAX9484典型工作电路图

双输出、多模式、 CD-RW/DVD激光二极管驱动器

引脚配置 (续)



芯片信息

TRANSISTOR COUNT: 1399

双输出、多模式、 CD-RW/DVD激光二极管驱动器

封装信息 (续)

(本数据资料提供的封装图可能不是最近的规格, 如需最近的封装外型信息, 请查询 www.maxim-ic.com/packages.)

| COMMON DIMENSIONS | | | | | | | | | | | | |
|-------------------|-----------|------|------|-----------|------|------|-----------|------|------|-----------|------|------|
| PKG | 12L 4x4 | | | 16L 4x4 | | | 20L 4x4 | | | 24L 4x4 | | |
| REF. | MIN. | NOM. | MAX. | MIN. | NOM. | MAX. | MIN. | NOM. | MAX. | MIN. | NOM. | MAX. |
| A | 0.70 | 0.75 | 0.80 | 0.70 | 0.75 | 0.80 | 0.70 | 0.75 | 0.80 | 0.70 | 0.75 | 0.80 |
| AL | 0.0 | 0.02 | 0.05 | 0.0 | 0.02 | 0.05 | 0.0 | 0.02 | 0.05 | 0.0 | 0.02 | 0.05 |
| A2 | 0.20 REF | | | 0.20 REF | | | 0.20 REF | | | 0.20 REF | | |
| b | 0.25 | 0.30 | 0.35 | 0.25 | 0.30 | 0.35 | 0.20 | 0.25 | 0.30 | 0.18 | 0.23 | 0.30 |
| D | 3.90 | 4.00 | 4.10 | 3.90 | 4.00 | 4.10 | 3.90 | 4.00 | 4.10 | 3.90 | 4.00 | 4.10 |
| E | 3.90 | 4.00 | 4.10 | 3.90 | 4.00 | 4.10 | 3.90 | 4.00 | 4.10 | 3.90 | 4.00 | 4.10 |
| e | 0.80 BSC. | | | 0.65 BSC. | | | 0.50 BSC. | | | 0.50 BSC. | | |
| k | 0.25 | - | - | 0.25 | - | - | 0.25 | - | - | 0.25 | - | - |
| L | 0.45 | 0.55 | 0.65 | 0.45 | 0.55 | 0.65 | 0.45 | 0.55 | 0.65 | 0.30 | 0.40 | 0.50 |
| N | 12 | | | 16 | | | 20 | | | 24 | | |
| ND | 3 | | | 4 | | | 5 | | | 6 | | |
| NE | 3 | | | 4 | | | 5 | | | 6 | | |
| JeDEC Var. | WGGB | | | WGGC | | | WGGD-1 | | | WGGD-2 | | |

| EXPOSED PAD VARIATIONS | | | | | | | |
|------------------------|------|------|------|------|------|------|--------------------|
| PKG. CODES | D2 | | | E2 | | | DOWN BONDS ALLOWED |
| | MIN. | NOM. | MAX. | MIN. | NOM. | MAX. | |
| T1244-2 | 1.95 | 2.10 | 2.25 | 1.95 | 2.10 | 2.25 | NO |
| T1244-3 | 1.95 | 2.10 | 2.25 | 1.95 | 2.10 | 2.25 | YES |
| T1244-4 | 1.95 | 2.10 | 2.25 | 1.95 | 2.10 | 2.25 | NO |
| T1644-2 | 1.95 | 2.10 | 2.25 | 1.95 | 2.10 | 2.25 | NO |
| T1644-3 | 1.95 | 2.10 | 2.25 | 1.95 | 2.10 | 2.25 | YES |
| T1644-4 | 1.95 | 2.10 | 2.25 | 1.95 | 2.10 | 2.25 | NO |
| T2044-1 | 1.95 | 2.10 | 2.25 | 1.95 | 2.10 | 2.25 | NO |
| T2044-2 | 1.95 | 2.10 | 2.25 | 1.95 | 2.10 | 2.25 | YES |
| T2044-3 | 1.95 | 2.10 | 2.25 | 1.95 | 2.10 | 2.25 | NO |
| T2444-1 | 2.45 | 2.60 | 2.63 | 2.45 | 2.60 | 2.63 | NO |
| T2444-2 | 1.95 | 2.10 | 2.25 | 1.95 | 2.10 | 2.25 | YES |
| T2444-3 | 2.45 | 2.60 | 2.63 | 2.45 | 2.60 | 2.63 | YES |
| T2444-4 | 2.45 | 2.60 | 2.63 | 2.45 | 2.60 | 2.63 | NO |

NOTES:

1. DIMENSIONING & TOLERANCING CONFORM TO ASME Y14.5M-1994.
2. ALL DIMENSIONS ARE IN MILLIMETERS. ANGLES ARE IN DEGREES.
3. N IS THE TOTAL NUMBER OF TERMINALS.

△ THE TERMINAL #1 IDENTIFIER AND TERMINAL NUMBERING CONVENTION SHALL CONFORM TO JESD 95-1 SPF-012. DETAILS OF TERMINAL #1 IDENTIFIER ARE OPTIONAL, BUT MUST BE LOCATED WITHIN THE ZONE INDICATED. THE TERMINAL #1 IDENTIFIER MAY BE EITHER A MOLD OR MARKED FEATURE.


△ DIMENSION b APPLIES TO METALLIZED TERMINAL AND IS MEASURED BETWEEN 0.25 mm AND 0.30 mm FROM TERMINAL TIP.

△ ND AND NE REFER TO THE NUMBER OF TERMINALS ON EACH D AND E SIDE RESPECTIVELY.

7. DEPOPULATION IS POSSIBLE IN A SYMMETRICAL FASHION.

△ COPLANARITY APPLIES TO THE EXPOSED HEAT SINK SLUG AS WELL AS THE TERMINALS.

9. DRAWING CONFORMS TO JEDEC MO220, EXCEPT FOR T2444-1, T2444-3 AND T2444-4.

| | | | |
|---|----------------------|------|-----|
|  | | | |
| PROPRIETARY INFORMATION | | | |
| TITLE PACKAGE OUTLINE 12, 16, 20, 24L THIN QFN, 4x4x0.8mm | | | |
| APPROVAL | DOCUMENT CONTRL. NO. | REV. | 2/2 |
| | 21-0139 | C | |

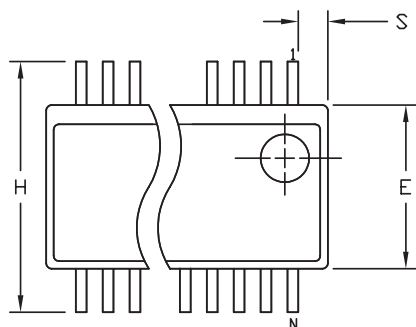
双输出、多模式、 CD-RW/DVD 激光二极管驱动器

封装信息 (续)

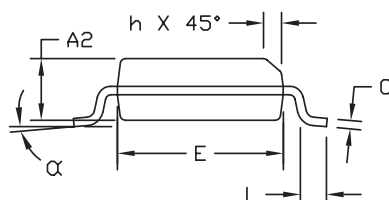
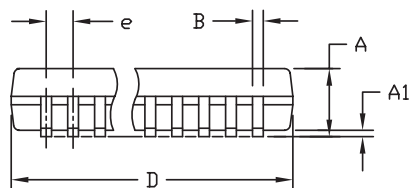
(本数据资料提供的封装图可能不是最近的规格, 如需最近的封装外型信息, 请查询 www.maxim-ic.com/packages.)

MAX9483/MAX9484

QSOP-EP5



| DIM | INCHES | | MILLIMETERS | |
|----------|----------------|-------|-------------|-------|
| | MIN | MAX | MIN | MAX |
| A | .061 | .068 | 1.55 | 1.73 |
| A1 | .004 | .0098 | 0.102 | 0.249 |
| A2 | .055 | .061 | 1.40 | 1.55 |
| B | .008 | .012 | 0.20 | 0.30 |
| C | .0075 | .0098 | 0.191 | 0.249 |
| D | SEE VARIATIONS | | | |
| E | .150 | .157 | 3.81 | 3.99 |
| e | .025 BSC | | 0.635 BSC | |
| H | .230 | .244 | 5.84 | 6.20 |
| h | .010 | .016 | 0.25 | 0.41 |
| L | .016 | .035 | 0.41 | 0.89 |
| N | SEE VARIATIONS | | | |
| α | 0° | 8° | 0° | 8° |



VARIATIONS:

| DIM | INCHES | | MILLIMETERS | | N |
|-----|--------|-------|-------------|-------|-------|
| | MIN. | MAX. | MIN. | MAX. | |
| D | .189 | .196 | 4.80 | 4.98 | 16 AB |
| S | .0020 | .0070 | 0.05 | 0.18 | |
| D | .337 | .344 | 8.56 | 8.74 | 20 AD |
| S | .0500 | .0550 | 1.270 | 1.397 | |
| D | .337 | .344 | 8.56 | 8.74 | 24 AE |
| S | .0250 | .0300 | 0.635 | 0.762 | |
| D | .386 | .393 | 9.80 | 9.98 | 28 AF |
| S | .0250 | .0300 | 0.635 | 0.762 | |

NOTES:

- 1). D & E DO NOT INCLUDE MOLD FLASH OR PROTRUSIONS.
- 2). MOLD FLASH OR PROTRUSIONS NOT TO EXCEED .006" PER SIDE.
- 3). CONTROLLING DIMENSIONS: INCHES.
- 4). MEETS JEDEC MO137.

| | |
|--|---------------------------------|
| | |
| PROPRIETARY INFORMATION TITLE: PACKAGE OUTLINE, QSOP .150", .025" LEAD PITCH | |
| APPROVAL | DOCUMENT CONTROL NO. 21-0055 |
| REV. E | 1/1 |

MAXIM北京办事处

北京 8328 信箱 邮政编码 100083
 免费电话: 800 810 0310
 电话: 010-6201 0598
 传真: 010-6201 0298

Maxim 不对 Maxim 产品以外的任何电路使用负责, 也不提供其专利许可。Maxim 保留在任何时间、没有任何通报的前提下修改产品资料和规格的权利。

15 _____ **Maxim Integrated Products, 120 San Gabriel Drive, Sunnyvale, CA 94086 (408) 737-7600**