

# MAXIM

## MAX2753 Evaluation Kit

Evaluates: MAX2753

### General Description

The MAX2753 evaluation kit (EV kit) simplifies evaluation of the MAX2753 VCO. This kit enables testing of the device's RF performance and requires no additional support circuitry. The signal outputs use two SMA connectors to facilitate the connection to RF test equipment.

### Component List

DESIGNATION	QTY	DESCRIPTION
C2, C3, C4	3	220pF $\pm 5\%$ ceramic capacitors (0603) Murata GRM39COH0G221J50
C1, C5	2	0.1 $\mu$ F $\pm 5\%$ ceramic capacitors (0603) Taiyo Yuden EMK107BJ104KA
R1, R2	2	1k $\Omega$ $\pm 5\%$ resistors (0603)
OUTP, OUTN	2	SMA connector (PC edge-mount) EFJohnson 142-0701-801
JU1	4	3-pin headers
U1	1	MAX2753EUA

### Component Suppliers

SUPPLIER	PHONE	FAX
Murata Electronics	800-831-9172	814-238-0490
Taiyo Yuden	408-573-4150	408-573-4159

**Note:** Please indicate that you are using the MAX2753 when contacting these component suppliers.

### Quick Start

The MAX2753 EV kit is fully assembled and factory tested. Follow the instructions in the *Connections and Setup* section for proper device evaluation.

### Test Equipment Required

This section lists the recommended test equipment to verify operation of the MAX2753. It is intended as a guide only, and some substitutions are possible.

- A two-channel power supply at +2.7V to +5.5V
- An ammeter (optional)
- An RF spectrum analyzer (HP 8561E, for example) that covers the operating frequency range of the MAX2753, as well as a few harmonics

### Features

- ◆ Easy Evaluation of MAX2753
- ◆ +2.7V to +5.5V Single-Supply Operation
- ◆ RF Outputs Matched to 50 $\Omega$
- ◆ All Critical Peripheral Components Included

### Ordering Information

PART	TEMP. RANGE	PIN-PACKAGE
MAX2753EVKIT	-40°C to +85°C	8 $\mu$ MAX

- A 50 $\Omega$  SMA cable
- A 50 $\Omega$  SMA termination
- A 50 $\Omega$  balun (optional)

### Connections and Setup

This section provides a step-by-step guide to the functions and operation of these EV kits.

- 1) Connect 50 $\Omega$  SMA termination to OUTN.
- 2) Connect a DC supply set to +3V (through an ammeter, if desired) to the V<sub>CC</sub> and GND terminals on the EV kit.
- 3) Apply +3V to the  $\overline{\text{SHDN}}$  control input.
- 4) Turn on the DC supply. The supply current should read about 9mA.
- 5) Connect the VCO output, OUTP, to a spectrum analyzer with a 50 $\Omega$  coaxial cable (minimize length). To measure differential output power, a 50 $\Omega$  balun is required.
- 6) Apply a variable DC voltage to the TUNE input (+0.4V to +2.4V).
- 7) Check f<sub>MIN</sub> and f<sub>MAX</sub> on the spectrum analyzer by varying the tuning voltage.
- 8) Check the output power level (-11dBm typ single-ended, -8dBm differential).
- 9) Connect the 50 $\Omega$  termination to OUTP
- 10) Repeat steps 5 through 8.

# MAX2753 Evaluation Kit

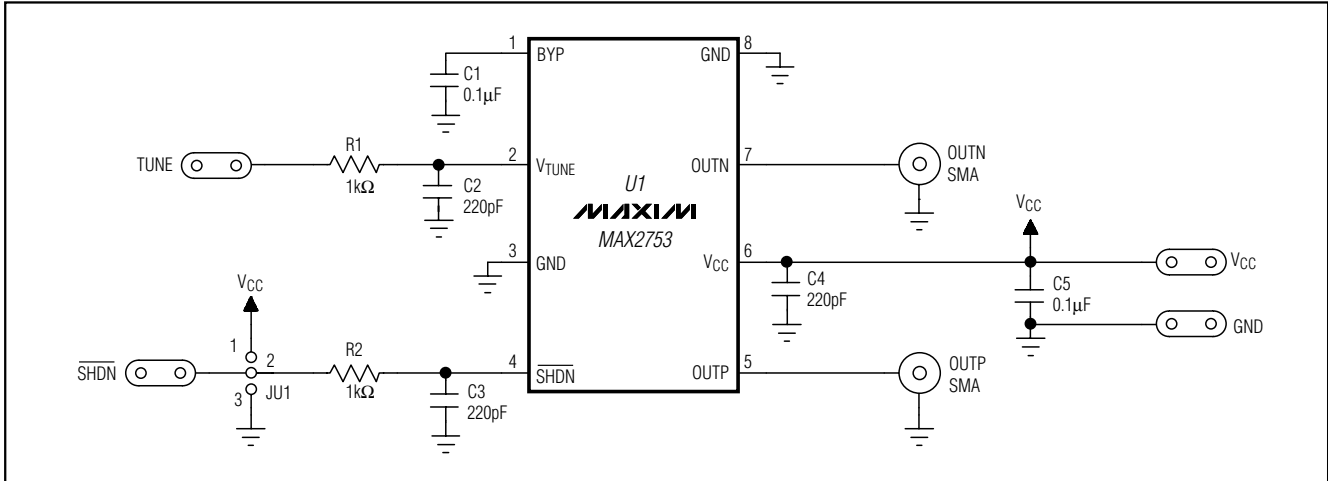


Figure 1. MAX2753 EV Kit Schematic

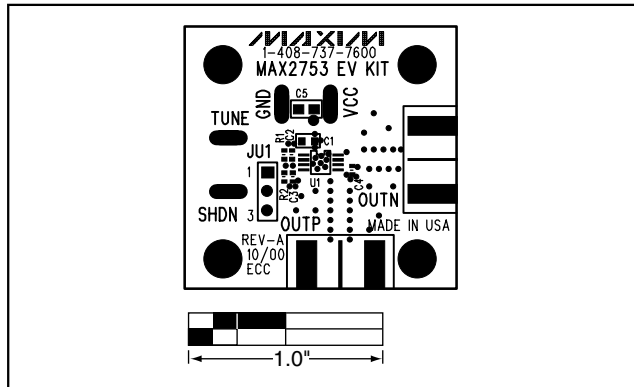


Figure 2. MAX2753 EV Kit Component Placement Guide—Component Side

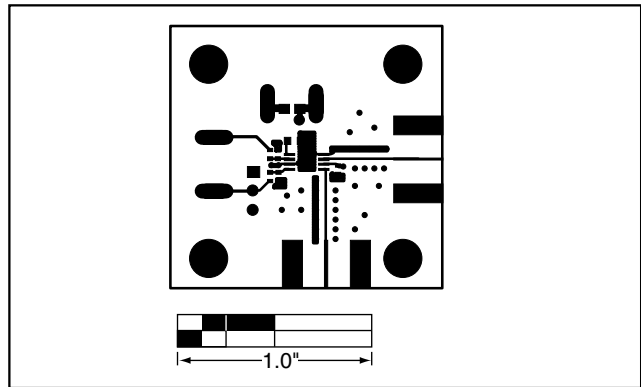


Figure 3. MAX2753 EV Kit PC Board Layout—Component Side

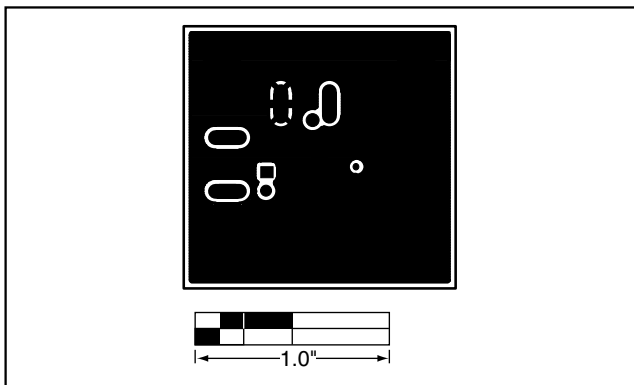


Figure 4. MAX2753 EV Kit PC Board Layout—Ground Plane

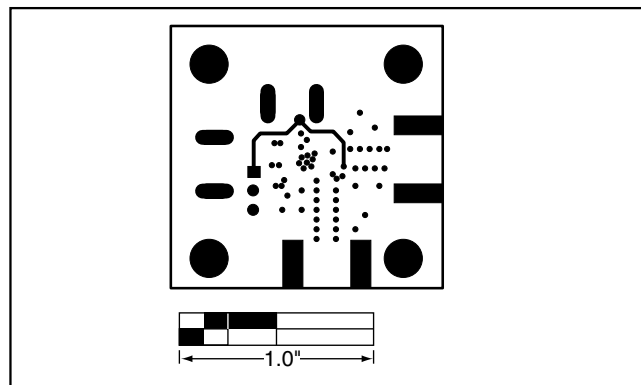


Figure 5. MAX2753 EV Kit PC Board Layout—Solder Side

Maxim cannot assume responsibility for use of any circuitry other than circuitry entirely embodied in a Maxim product. No circuit patent licenses are implied. Maxim reserves the right to change the circuitry and specifications without notice at any time.

2 \_\_\_\_\_ **Maxim Integrated Products, 120 San Gabriel Drive, Sunnyvale, CA 94086 408-737-7600**