

Evaluation Board for a 20-Bit Serial Input, Voltage Output DAC with Integrated Precision Reference Buffer Amplifiers

FEATURES

- Full-featured evaluation board for the [AD5790](#)
- Link options
- PC control in conjunction with Analog Devices, Inc., system demonstration platform
- PC software for control

EVALUATION BOARD DESCRIPTION

The [EVAL-AD5790SDZ](#) is a full-featured evaluation board, designed to allow the user to easily evaluate all features of the [AD5790](#) voltage output, 20-bit digital-to-analog converter (DAC). The [AD5790](#) pins are accessible at on-board connectors for external connection. The board can be controlled by two means: via the on-board connector (J3), or via the system demonstration platform (SDP) connector (J4). The SDP board allows the evaluation board to be controlled through the USB port of a Windows® XP (SP2 or later) or more recent 32-bit or 64-bit (Vista, Windows 7) PC using the [AD5790](#) evaluation software.

DEVICE DESCRIPTION

The [AD5790](#) is a high precision, 20-bit DAC with integrated precision reference buffer amplifiers designed to meet the requirements of precision control applications. The output range of the [AD5790](#) is configured by two reference voltage inputs. The device is specified to operate with a dual power supply of up to 33 V.

Complete specifications for the [AD5790](#) are provided in the [AD5790](#) data sheet, available from Analog Devices, and should be consulted in conjunction with this user guide when using the evaluation board.

FUNCTIONAL BLOCK DIAGRAM

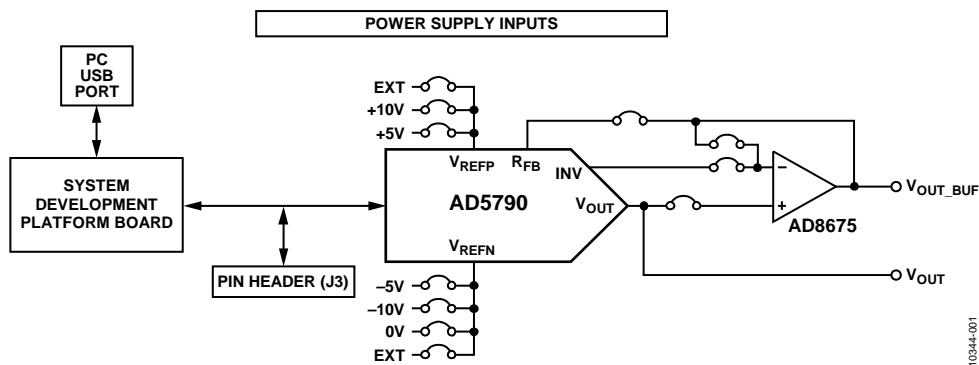


Figure 1.

10344-001

TABLE OF CONTENTS

Features	1	On-Board Connectors	3
Evaluation Board Description.....	1	Evaluation Board Software.....	5
Device Description	1	Software Installation	5
Functional Block Diagram	1	Software Operation	5
Revision History	2	Main Window	6
Evaluation Board Hardware	3	Evaluation Board Schematics and Artwork.....	8
Power Supplies	3	Ordering Information.....	14
Link Options	3	Bill of Materials.....	14

REVISION HISTORY

2/13—Rev. 0 to Rev. A

Changes to Table 2.....	3
Replaced Evaluation Board Schematics and Artwork Section ...	8
Changes to Table 4.....	14

11/11—Revision 0: Initial Version

EVALUATION BOARD HARDWARE

POWER SUPPLIES

The following external supplies must be provided:

- 5 V between the V_{CC} and DGND inputs for the digital supply of the [AD5790](#). Alternatively, place Link 1 in Position A to power the digital circuitry from the USB port via the SDP board (default).
- 7.5 V to 16.5 V between the V_{DD} and AGND inputs for the positive analog supply of the [AD5790](#).
- -2.5 V to -16.5 V between the V_{SS} and AGND inputs for the negative analog supply of the [AD5790](#).

The analog and digital planes are connected at one location, close to the [AD5790](#). To avoid ground loop problems, it is recommended not to connect AGND and DGND elsewhere in the system.

Each supply is decoupled to the relevant ground plane with 10 μ F and 0.1 μ F capacitors. Each device supply pin is again decoupled with a 10 μ F and 0.1 μ F capacitor pair to the relevant ground plane.

LINK OPTIONS

The link options on the evaluation board should be set for the required operating setup before using the board. The functions of the link options are described in Table 3.

Default Link Option Setup

The default link options are listed in Table 1. By default, the board is configured with $V_{REFP} = +10$ V and $V_{REFN} = -10$ V for a ± 10 V output range.

Table 1. Default Link Options

Link No.	Option
LK1	A
LK2	B
LK3	A
LK4	Removed
LK5	Removed
LK6	Removed
LK7	Removed
LK8	C
LK9	Inserted
LK11	Inserted

Connector J3 Pin Configuration

Figure 2 shows the pin configuration of Connector J3.

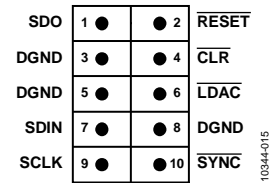


Figure 2. Connector J3 Pin Configuration

ON-BOARD CONNECTORS

There are nine connectors on the [AD5790](#) evaluation board PCB as outlined in Table 2.

Table 2. On-Board Connectors

Connector	Function
J1	Digital power supply connector
J2	Analog power supply connector
J3	Digital interface pin header connector
J4	SDP board connector
VOUT	DAC output connector
VOUT_BUF	Buffered DAC output connector
VREF	5 V external reference voltage input connector (+10 V, +5 V, -10 V, and -5 V reference voltages are generated from this 5 V input or on-board ADR4550)
VREFN	DAC negative reference input connector
VREFP	DAC positive reference input connector

Table 3. Link Options

Link No.	Description
LK1	This link selects the source of the digital power supply. Position A selects the source from the SDP board. Position B selects the source from Connector J1.
LK2	This link selects the positive reference voltage source. Position A selects an on-board generated 5 V. Position B selects an on-board generated 10 V. Position C selects an external voltage applied at Connector VREFP.
LK3	This link is used in conjunction with LK4 to configure the mode of operation of the output amplifier. Position A configures the amplifier in unity gain. LK4 should be removed. ¹ Position B configures the amplifier for a gain of 2. Lk4 should be inserted. ²
LK4	This link is used in conjunction with LK3 to configure the mode of operation of the output amplifier. When this link is inserted, LK3 should be in Position B to configure the amplifier for a gain of 2. ² When this link is removed, LK3 should be in Position A to configure the amplifier for unity gain. ¹
LK5	This link selects the state of the RESET pin. When this link is inserted, $\overline{\text{RESET}}$ is at logic low. When this link is removed, $\overline{\text{RESET}}$ is at logic high.
LK6	This link selects the state of the CLR pin. When this link is inserted, $\overline{\text{CLR}}$ is at logic low. When this link is removed, $\overline{\text{CLR}}$ is at logic high.
LK7	This link selects the state of the LDAC pin. When this link is inserted, $\overline{\text{LDAC}}$ is at logic low. When this link is removed, $\overline{\text{LDAC}}$ is at logic high.
LK8	This link selects the negative reference voltage source. Position A selects an on-board generated -5 V. Position B selects AGND. Position C selects an on-board generated -10 V. Position D selects an external voltage applied at Connector VREFN.
LK9	This link connects the output of Voltage Reference U5 to the reference scaling circuitry.
LK11	This link connects the DAC output to the noninverting input of the output buffer amplifier. When this link is inserted, the DAC output is connected to the noninverting input of the output amplifier. When this link is removed, the DAC output is disconnected from the noninverting input of the output buffer amplifier and the DAC output voltage is accessible at the VOUT connector.

¹ The RBUF bit of the control register must be set to high to enable the unity-gain mode of operation.

² The RBUF bit of the control register must be cleared to low to enable the gain of 2 mode of operation.

EVALUATION BOARD SOFTWARE

SOFTWARE INSTALLATION

The **AD5790** evaluation kit includes self-installing software on a CD. The software is compatible with Windows XP (SP2) and Vista (32-bit or 64-bit). If the setup file does not run automatically, you can run the **setup.exe** file from the CD.

Install the evaluation software before connecting the evaluation board and SDP board to the USB port of the PC to ensure that the evaluation system is correctly recognized when connected to the PC.

1. After installation from the CD is complete, power up the AD5790 evaluation board as described in the Power Supplies section. Connect the SDP board (via either Connector A or Connector B) to the AD5790 evaluation board and then to the USB port of your PC using the supplied cable.
2. When the evaluation system is detected, proceed through any dialog boxes that appear. This completes the installation.

SOFTWARE OPERATION

To launch the software, complete the following steps:

1. From the **Start** menu, select **Analog Devices, AD5790**, then **AD5790 Evaluation Software**. The main window of the software then opens (see Figure 4).
2. If the evaluation system is not connected to the USB port when the software is launched, a connectivity error displays (see Figure 3). Connect the evaluation board to the USB port of the PC, wait a few seconds, click **Rescan**, and follow the instructions.

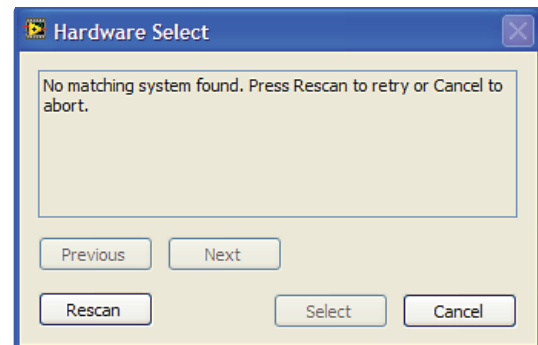


Figure 3. Connectivity Error Alert

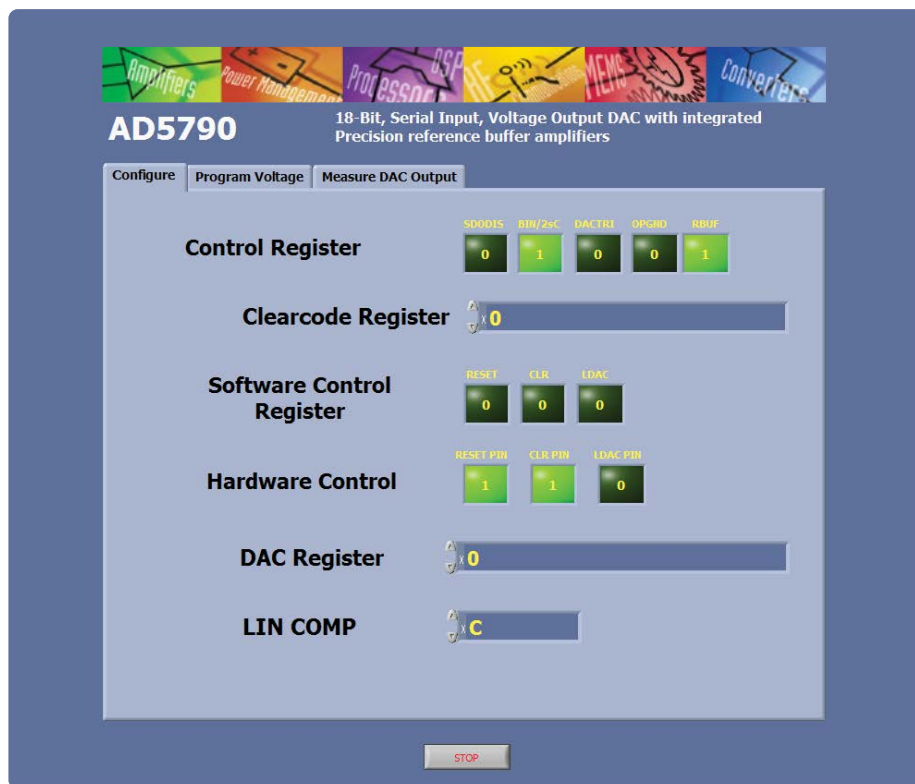


Figure 4. Main Window

MAIN WINDOW

The main window is divided into three tabs: **Configure**, **Program Voltage**, and **Measure DAC Output**.

Configure

The **Configure** section allows access to the control register, clearcode register, software control register, and DAC register and allows control of the RESET, CLR, and LDAC pins.

Program Voltage

The **Program Voltage** section programs the DAC register with the value calculated from the entered values: the positive voltage reference (VREFP), the negative voltage reference (VREFN), and the desired output voltage (see Figure 5).

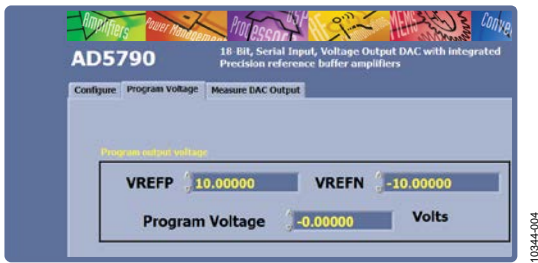


Figure 5. Program Voltage Window

Measure DAC Output

The **Measure DAC Output** section allows the PC to control an Agilent 3458A multimeter to measure and log the DAC output voltage.

The multimeter is controlled over a general-purpose interface bus (GPIB). When the multimeter is connected to the PC, first configure the multimeter via its front panel before taking a measurement. Figure 7 shows the measurement options. The software runs through a sequence of steps, programming the DAC register and measuring the DAC output voltage. The sequence begins with the software programming the DAC with the **Start Code** value, incrementing the programmed value at each step by the **Code Step** value, and finishing when the programmed value reaches the **Stop Code** value. A delay between measurements can be inserted, if required. The GPIB address of the multimeter must be specified.

To begin the measurement, click **START**. The measurement can be halted at any time by clicking **STOP**. When the measurement is completed, a dialog box opens to allow you to save the data as a spreadsheet file with three columns of data. The first column is the DAC code, the second column is the DAC voltage in volts, and the third column is the INL error in LSBs, as shown in Figure 6. A graph of both the DAC output voltage vs. the DAC code and the INL error vs. the DAC code is displayed in the **Measure DAC Output** tab (see Figure 7). In the measurement example shown in Figure 7, measurements are taken in 10000 code steps beginning at Code 0 and finishing at Code 1,048,575 in a total of 100 measurements. With the number of power line cycles (NPLC) setting on the multimeter set to 1, the measurement takes ~10 sec to complete. To complete an all codes measurement requiring 1,048,575 measurement points takes ~1 day.

	A	B	C
1	0	-9.9983	0
2	1024	-9.92018	-0.01316
3	2048	-9.84206	-0.01866
4	3072	-9.76394	0.010392
5	4096	-9.68582	-0.02197
6	5120	-9.6077	0.007083
7	6144	-9.52958	0.016931
8	7168	-9.45146	0.013356
9	8192	-9.37334	0.028971
10	9216	-9.29522	0.040746
11	10240	-9.2171	0.058275
12	11264	-9.13898	0.043191
13	12288	-9.06086	0.066475
14	13312	-8.98274	0.060986

Figure 6. Saved Data Format

If an Agilent 3458A multimeter is not connected to the PC, the software steps through the codes without taking any measurements.

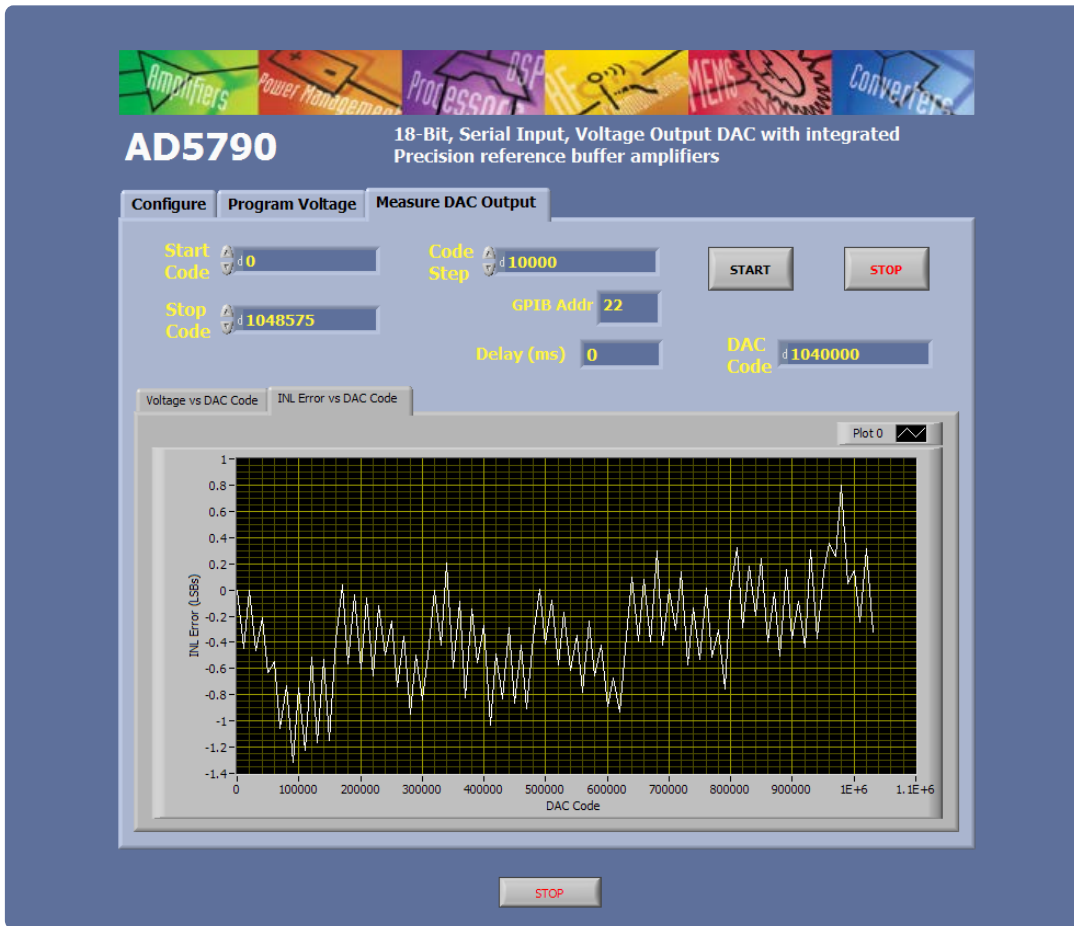
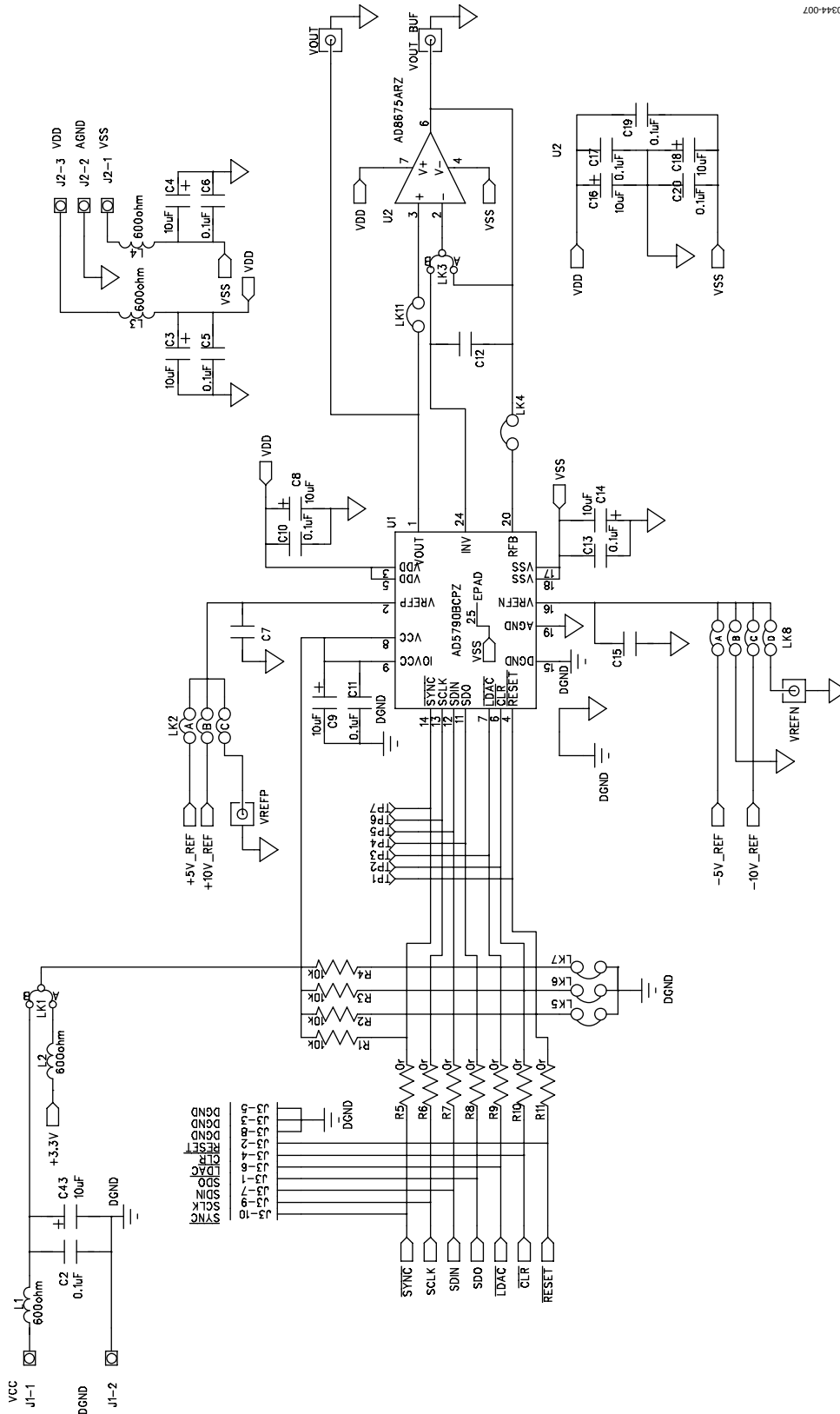


Figure 7. Measure DAC Output Tab

10344-006

EVALUATION BOARD SCHEMATICS AND ARTWORK



10344-007

Figure 8. Schematic of the AD5790 Circuitry

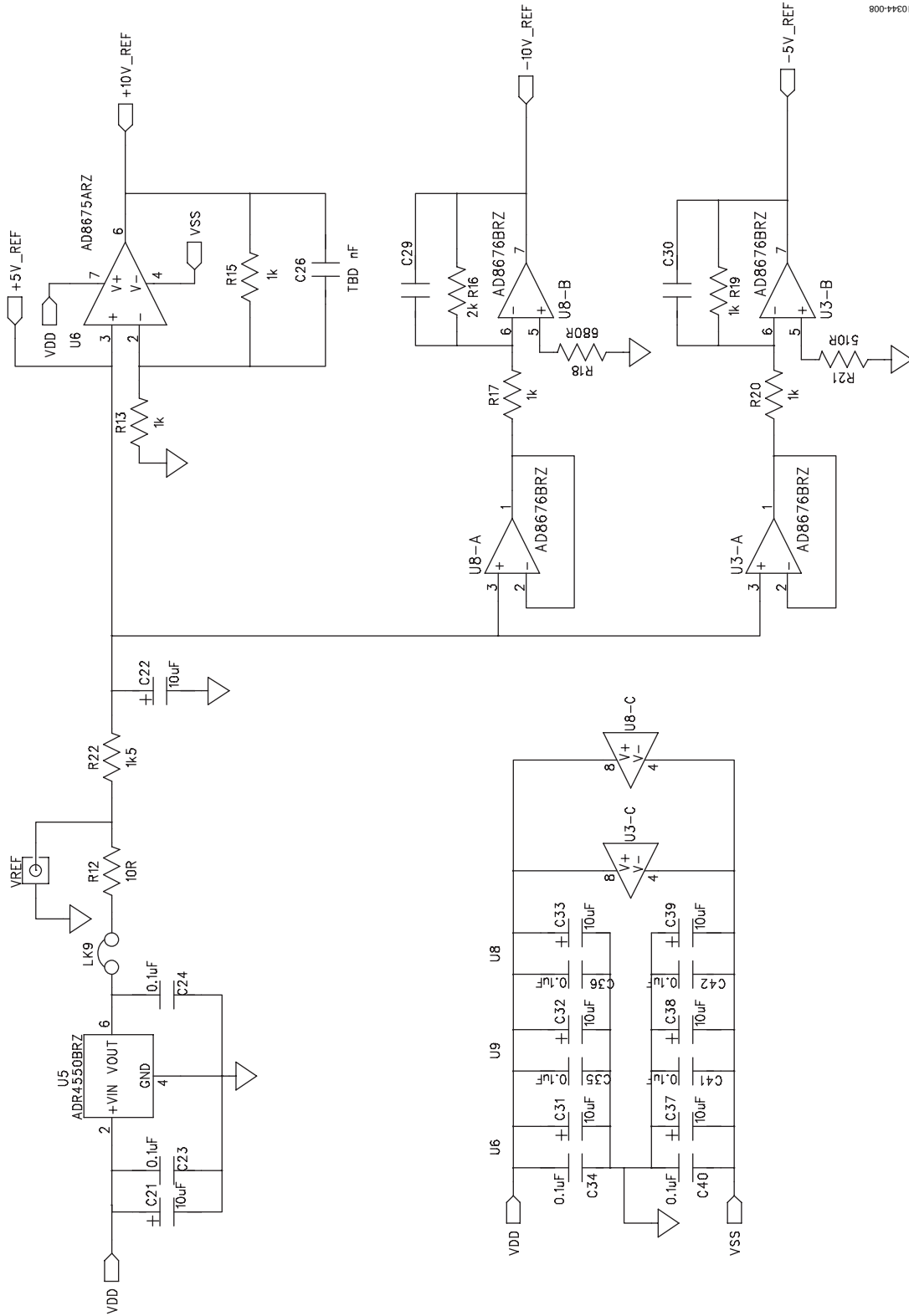


Figure 9. Schematic of the Voltage Reference Circuitry

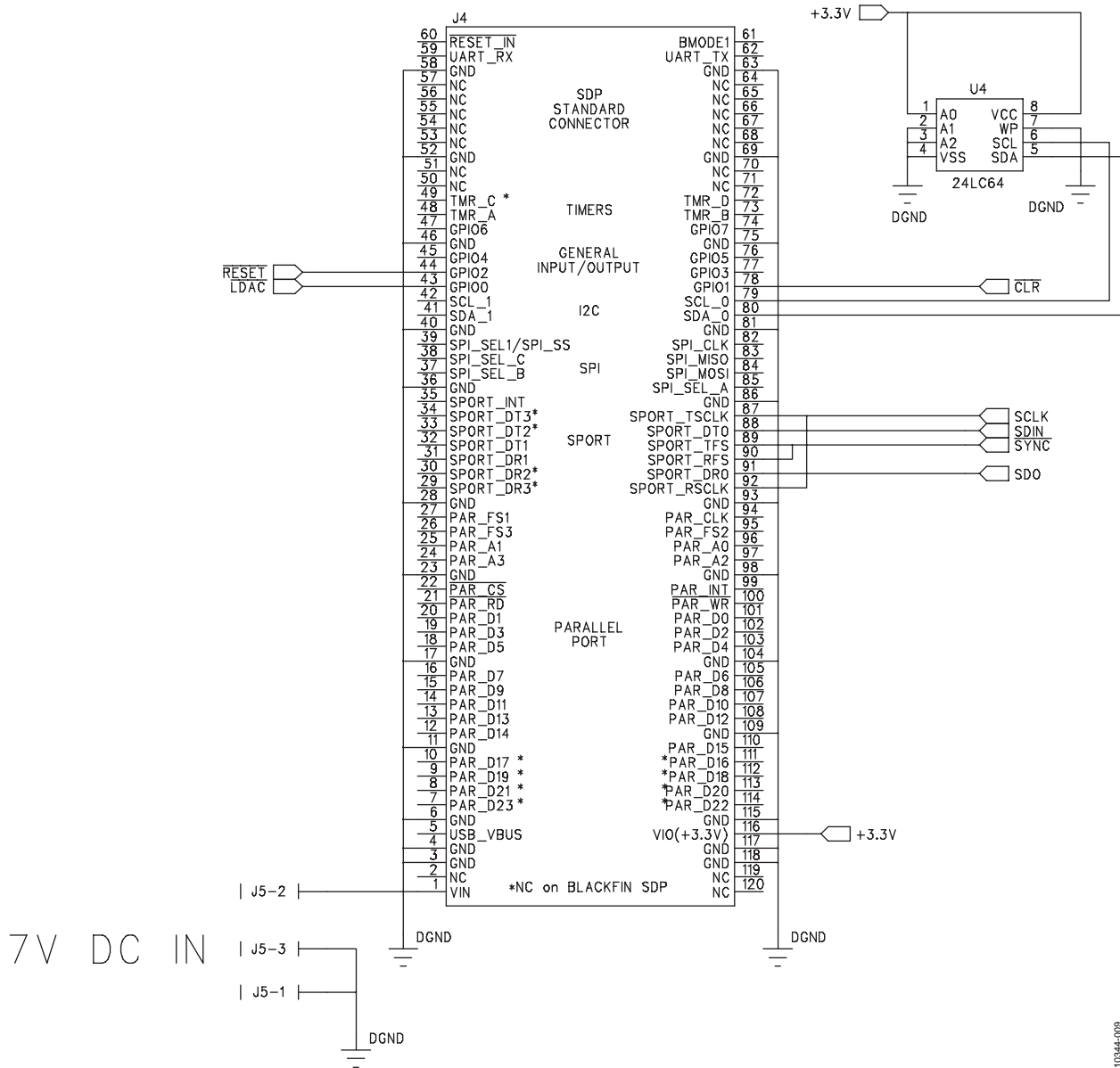


Figure 10. Schematic of the SDP Board Connector

10344-009

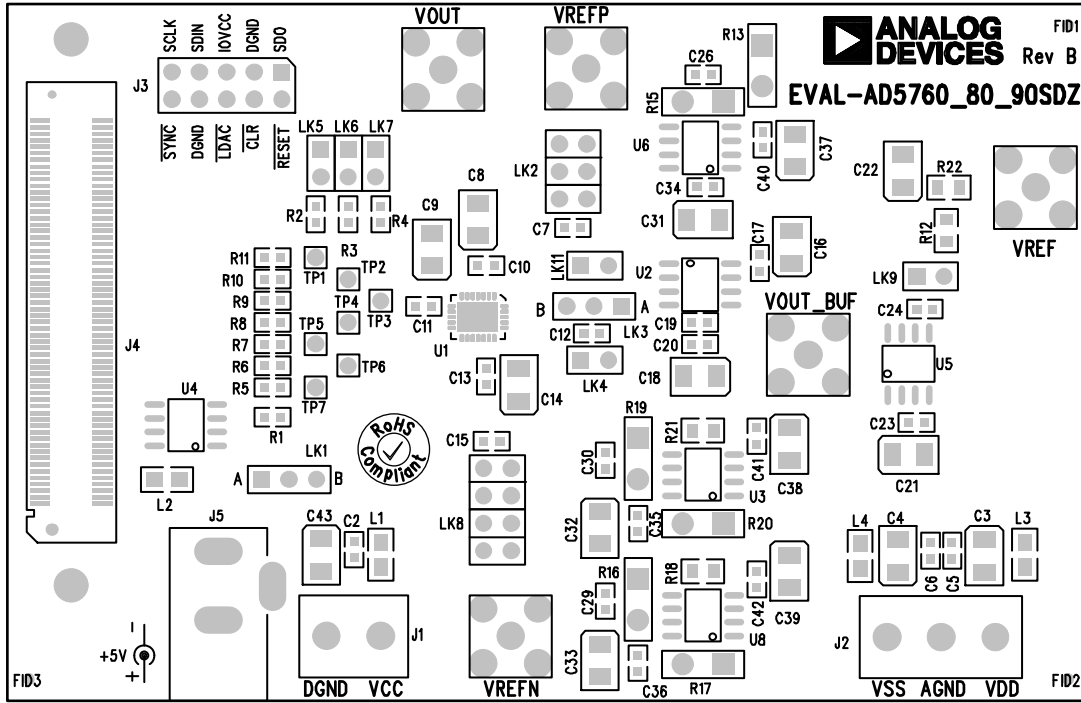


Figure 11. Component Placement Schematic

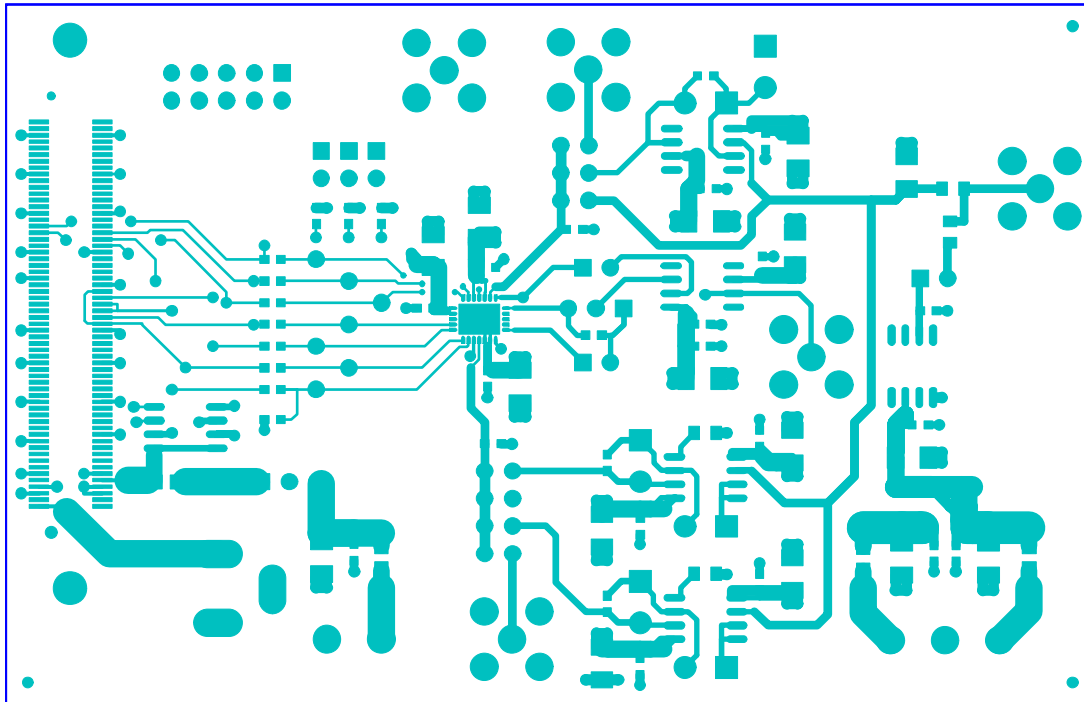
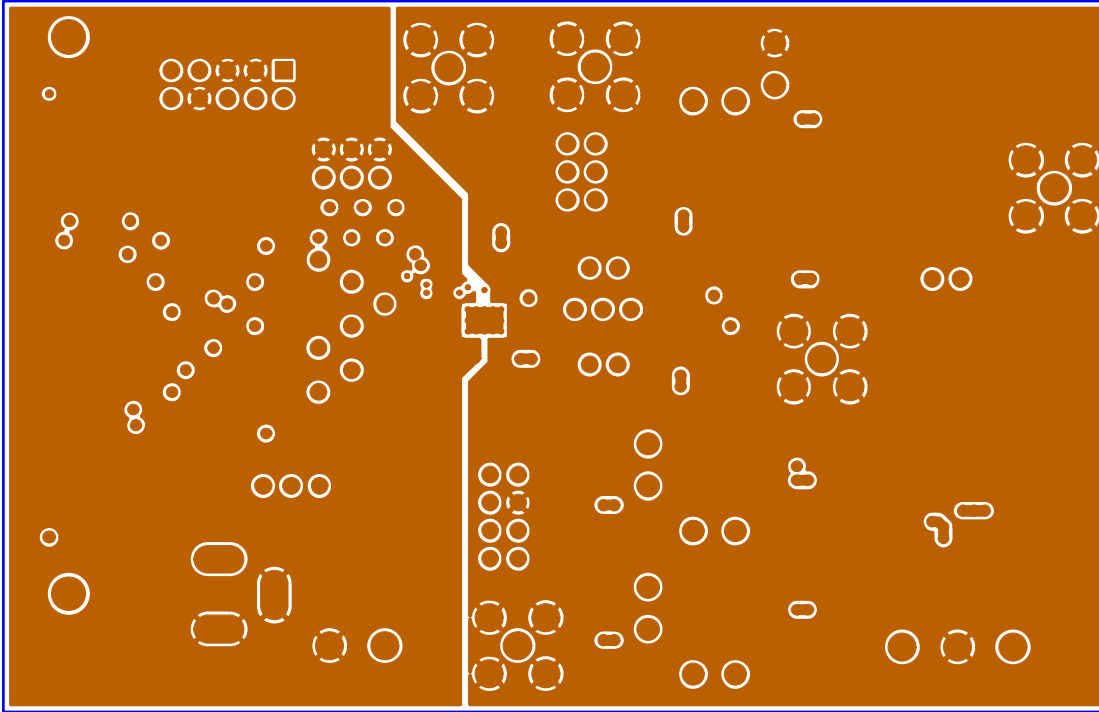
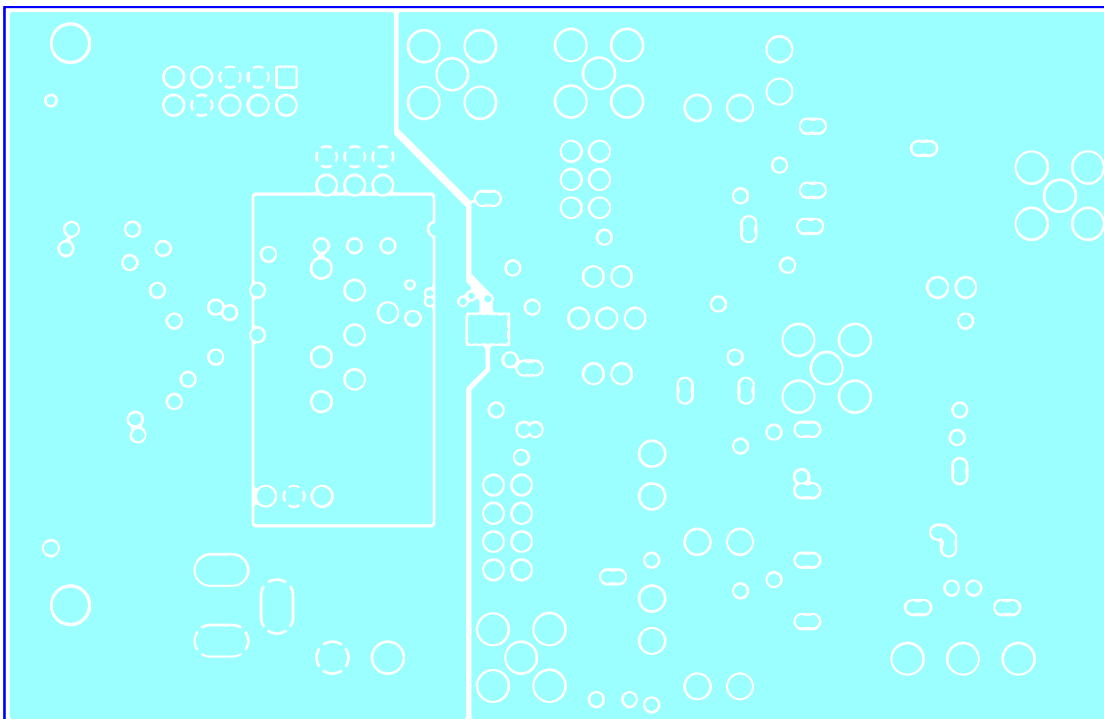


Figure 12. Top Printed Circuit Board (PCB) Layer Schematic



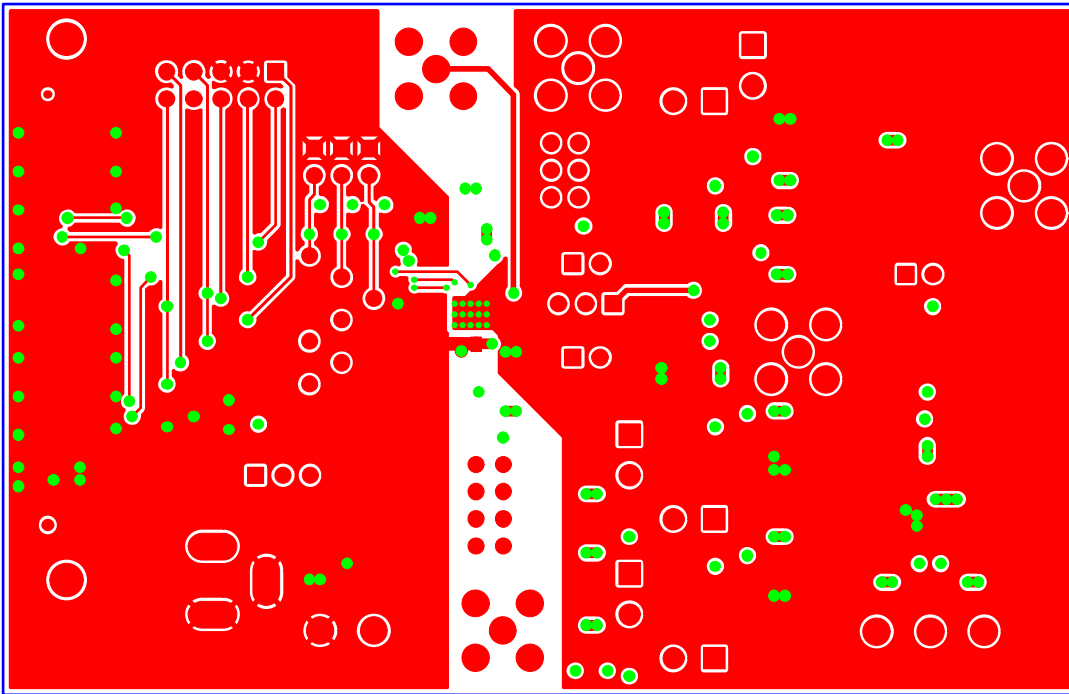
10344-012

Figure 13. Inner First PCB Layer Schematic



10344-013

Figure 14. Inner Second PCB Layer Schematic



10344-014

Figure 15. Bottom PCB Layer Schematic

ORDERING INFORMATION

BILL OF MATERIALS

Table 4.

Reference Designator	Part Description	Part Number	Stock Code
C2, C5, C6, C10, C11, C13, C17, C19, C20, C23, C24, C34 to C36, C40 to C42	Capacitor, 0603, 0.1 μ F, 16 V	CM105X7R104K16AT	FEC 9406140
C3, C4, C8, C9, C14, C16, C18, C21, C22, C31, C32, C33, C37 to C39, C43	Capacitor +, 10 μ F, 16 V, 10%, Case B	TAJB106K016R	FEC 498737
J1	2-pin terminal block (5 mm pitch) CON\POWER	CTB5000/2	FEC 151789
J2	3-pin terminal block (5 mm pitch) CON\POWER3	CTB5000/3	FEC 151790
J3	20-pin (2 \times 10) header	Not applicable	FEC 1022244 (36 + 36-pin strip)
J4	120-way connector, 0.6 mm pitch, SDP-STANDARD-CONN	FX8-120S-SV(21)	FEC 1324660
L1 to L4	Ferrite bead IND	74279204	FEC 1635719
LK1, LK3	3-pin SIL header and shorting link	M20-9990345 and M7567-05	FEC 1022248 and 150410
LK2	6-pin (3 \times 2) 0.1" header and shorting block	M20-9983646 and M7566-05	FEC 148-535 and 150-411 (36-pin strip)
LK4 to LK7, LK9, LK11	2-pin (0.1" pitch) header and shorting shunt	M20-9990246	FEC 1022247 and 150-411
LK8	8-pin (4 \times 2) 0.1" header and shorting block	M20-9983646 and M7566-05	FEC 1022244 and 150-411 (36-pin strip)
R1 to R12	SMD resistor	MC 0.063W 0603 10k	FEC 9331700
R13, R15, R17, R19, R20	Resistor, 1 k Ω , 0805, 5 ppm	PCF0805-13-1K-B-T1	FEC 31108863
R16	Resistor, 2 k Ω , 0805, 5 ppm	PCF0805-13-2K-B-T1	FEC 1108872
R18	Resistor, 0805, 680 Ω	MC 0.1W 0805 5% 680R	FEC 9334785
R21	Resistor, 0805, 510 Ω	MC 0.1W 0805 5% 510R	FEC 9334637
R22	Resistor, 0805, 1.5 k Ω	MC 0.1W 0805 5% 1K5	FEC 9333924
TP1 to TP7	Red test point	20-2137	FEC 240-333
U1	20-bit DAC	AD5790BCPZ	AD5790BCPZ
U2, U6	Single op amp	AD8675ARZ	AD8675ARZ
U8, U9	Dual op amp	AD8676BRZ	AD8676BRZ
U4	64k I ² C serial EEPROM	24LC64-ISN	FEC 9758070
U5	5 V reference	ADR4550BRZ	ADR4550BRZ
VOUT, VOUT_BUF, VREF, VREFN, VREFP	Straight PCB mount SMB jack, 50 Ω	1-1337482-0	FEC 1206013

NOTES

NOTES

**ESD Caution**

ESD (electrostatic discharge) sensitive device. Charged devices and circuit boards can discharge without detection. Although this product features patented or proprietary protection circuitry, damage may occur on devices subjected to high energy ESD. Therefore, proper ESD precautions should be taken to avoid performance degradation or loss of functionality.

Legal Terms and Conditions

By using the evaluation board discussed herein (together with any tools, components documentation or support materials, the "Evaluation Board"), you are agreeing to be bound by the terms and conditions set forth below ("Agreement") unless you have purchased the Evaluation Board, in which case the Analog Devices Standard Terms and Conditions of Sale shall govern. Do not use the Evaluation Board until you have read and agreed to the Agreement. Your use of the Evaluation Board shall signify your acceptance of the Agreement. This Agreement is made by and between you ("Customer") and Analog Devices, Inc. ("ADI"), with its principal place of business at One Technology Way, Norwood, MA 02062, USA. Subject to the terms and conditions of the Agreement, ADI hereby grants to Customer a free, limited, personal, temporary, non-exclusive, non-sublicensable, non-transferable license to use the Evaluation Board FOR EVALUATION PURPOSES ONLY. Customer understands and agrees that the Evaluation Board is provided for the sole and exclusive purpose referenced above, and agrees not to use the Evaluation Board for any other purpose. Furthermore, the license granted is expressly made subject to the following additional limitations: Customer shall not (i) rent, lease, display, sell, transfer, assign, sublicense, or distribute the Evaluation Board; and (ii) permit any Third Party to access the Evaluation Board. As used herein, the term "Third Party" includes any entity other than ADI, Customer, their employees, affiliates and in-house consultants. The Evaluation Board is NOT sold to Customer; all rights not expressly granted herein, including ownership of the Evaluation Board, are reserved by ADI. CONFIDENTIALITY. This Agreement and the Evaluation Board shall all be considered the confidential and proprietary information of ADI. Customer may not disclose or transfer any portion of the Evaluation Board to any other party for any reason. Upon discontinuation of use of the Evaluation Board or termination of this Agreement, Customer agrees to promptly return the Evaluation Board to ADI. ADDITIONAL RESTRICTIONS. Customer may not disassemble, decompile or reverse engineer chips on the Evaluation Board. Customer shall inform ADI of any occurred damages or any modifications or alterations it makes to the Evaluation Board, including but not limited to soldering or any other activity that affects the material content of the Evaluation Board. Modifications to the Evaluation Board must comply with applicable law, including but not limited to the RoHS Directive. TERMINATION. ADI may terminate this Agreement at any time upon giving written notice to Customer. Customer agrees to return to ADI the Evaluation Board at that time. LIMITATION OF LIABILITY. THE EVALUATION BOARD PROVIDED HEREUNDER IS PROVIDED "AS IS" AND ADI MAKES NO WARRANTIES OR REPRESENTATIONS OF ANY KIND WITH RESPECT TO IT. ADI SPECIFICALLY DISCLAIMS ANY REPRESENTATIONS, ENDORSEMENTS, GUARANTEES, OR WARRANTIES, EXPRESS OR IMPLIED, RELATED TO THE EVALUATION BOARD INCLUDING, BUT NOT LIMITED TO, THE IMPLIED WARRANTY OF MERCHANTABILITY, TITLE, FITNESS FOR A PARTICULAR PURPOSE OR NON-INFRINGEMENT OF INTELLECTUAL PROPERTY RIGHTS. IN NO EVENT WILL ADI AND ITS LICENSORS BE LIABLE FOR ANY INCIDENTAL, SPECIAL, INDIRECT, OR CONSEQUENTIAL DAMAGES RESULTING FROM CUSTOMER'S POSSESSION OR USE OF THE EVALUATION BOARD, INCLUDING BUT NOT LIMITED TO LOST PROFITS, DELAY COSTS, LABOR COSTS OR LOSS OF GOODWILL. ADI'S TOTAL LIABILITY FROM ANY AND ALL CAUSES SHALL BE LIMITED TO THE AMOUNT OF ONE HUNDRED US DOLLARS (\$100.00). EXPORT. Customer agrees that it will not directly or indirectly export the Evaluation Board to another country, and that it will comply with all applicable United States federal laws and regulations relating to exports. GOVERNING LAW. This Agreement shall be governed by and construed in accordance with the substantive laws of the Commonwealth of Massachusetts (excluding conflict of law rules). Any legal action regarding this Agreement will be heard in the state or federal courts having jurisdiction in Suffolk County, Massachusetts, and Customer hereby submits to the personal jurisdiction and venue of such courts. The United Nations Convention on Contracts for the International Sale of Goods shall not apply to this Agreement and is expressly disclaimed.